



# GENERAL CATALOGUE 2023/24



**Hera**<sup>®</sup>

# Light on...



### Hera GmbH & Co. KG

Dieselstraße 9  
D-32130 Enger  
Phone: +49 52 24 / 911- 0  
E-Mail: [mail@hera-online.de](mailto:mail@hera-online.de)



### Office South - East

Zeulenrodaer Straße 48  
D-07950 Triebes  
Phone: +49 52 24 / 911- 240  
Phone: +49 52 24 / 911- 241  
E-Mail: [kontusch@hera-online.de](mailto:kontusch@hera-online.de)  
E-Mail: [schauer@hera-online.de](mailto:schauer@hera-online.de)



### Hera Lighting L.P.

3025 Business Park Dr.  
Norcross, GA 30071 USA  
Phone: +1 / 770 / 409-85 58  
[www.heralighting.com](http://www.heralighting.com)

## Worldwide satisfied customers

We address our products and services directly to processing companies. We have been working successfully with many of our customers for decades. Our extreme flexibility in the production of special sizes from batch size 1, our high quality standards and our ability to deliver on time are particularly appreciated.

Your satisfaction is our main business objective. That is why you and your requirements set the standard for our activities.



## Online Shop

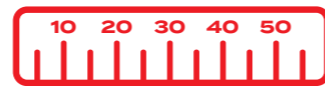
always up to date & 24 hours a day



In our online shop you will always find the current selection of products. In addition to the product images, application examples and assembly sketches we have compiled all important product information for each product. Clear, informative and user friendly. Of course, all the luminaires configured by yourself can also be ordered using the shopping cart. And all that around the clock on 365 days a year.

## Tailor-made luminaires

configured special solutions



With the help of our luminaire configurator, you can quickly and easily plan online your individual luminaire starting from 1 piece per order, which will be produced within 10 days. First you have to select the desired LED tape and determine the colour temperature. After that, everything is personalized. You can specify your preferred luminaire- and cable length, the required quantity and choose between multiple profiles. Once you have specified everything for your desired luminaire, you can place it in the shopping cart and order it directly in one step.

## Performance

reliability & adherence to schedules



WE ALREADY KNOW WHAT YOU NEED TOMORROW! According to this motto we have built up our warehouse and thus can guarantee an on time delivery. Thanks to our high availability of goods, standard items leave our warehouse within three days. Because we do our very best every day to satisfy you and your customers, we are significantly faster than other manufacturers. We are also well prepared for customised requirements. High flexibility and performance enable us to deliver on time.

## Environmental philosophy

small effort - great effect



In the interests of climate protection, Hera has joined the GOGREEN service of Deutsche Post DHL. The mailing of postal customer correspondence and the delivery of parcels has been CO<sup>2</sup>-neutral since January 2013. Moreover, the delivery of parcels has been carried out in a CO<sup>2</sup>-neutral manner by GLS Germany since October 2019. When it comes to packing materials, Hera relies on materials such as cardboard and LDPE, which are easy to recycle, as well as crashed paper made from recyclable waste-paper. Since January 2016 Hera has only used electricity from wind, water, photovoltaics and biomass from regional plants. Even the heating system has also been operated in a climate-neutral manner with green gas since 2018. A photovoltaic system has been installed on the flat roof of the company building in 2019 and supplies the remaining amount of electrical energy. With an environmentally friendly electric vehicle that is used for short journeys, Hera is also actively setting an example in e-mobility. Further hybrid vehicles complement the company fleet.

## Prooven quality

guaranteed, safe & up to date



Hera's quality policy is consistently oriented towards the benefit of our customers. In our in-house laboratory, all our products are tested in accordance with standards for long-term durability, maximum reliability and safety. For many years, we have complied with DIN EN ISO 9001 and DIN EN ISO 14001 certification that is reaudited annually. Hera luminaires are designed and manufactured according to the European standard EN 60598. We primarily use so-called single-bin LEDs. This way, you do not get any fluctuations in light colours, even with possible retrofitting. You don't have to skimp on quality: Hera stands for products with consistently high quality - at affordable prices.

Product	Page	Product	Page	Product	Page	Product	Page	Product	Page	Product	Page				
<b>A</b>															
ADD-ON Mini	213	IN-Stick H	121	SEH / SAQ	251	<b>Introduction</b>						Top-Stick FIR / FK	127		
AR 35 / AR 45	143	IN-Stick MF	119	SEM	244	General Information						2-15	Top-Stick FMK / Top-Stick FMT	209	
AR 68	153	Intero-Line	NEW 91	SIL-LED 2	227	<b>Power supply track systems</b>						Top-Stick H / HR	123		
AR 78 / AQ 78	167	IR Switch I24	248	Sky	217	Flat-Track						21	U-Pad F	NEW 211	
<b>B</b>															
Back-Line	NEW 111	IR-S / IR-DS	249	Sky Window	173	PS Mini						19	UL 2-LED F	225	
Basic Side-Tape	77	IR-Switch / Dimmer 10mm	NEW 247	Slim-Pad F	221	SPS Mini						25	<b>Accessories</b>		
Basic-Tape 2	69	IR-Switch / Dimmer 24V	246	SlimLite® CS accessories	135	Track 24V						23	Door contact switch	244	
Basic-Tape Meat	71	<b>L</b>													
Basic-Tape S	75	L-Pad	223	SlimLite® CS LED HE+	131	Back-Line						NEW 111	EBS 4	233	
Bedside reading luminaire	171	LED 24	232	SlimLite® CS LED HO+ / HO+ dimmable	133	Basic Side-Tape						77	IR Switch I24	248	
<b>C</b>															
Configurator	89	LED 24 transformer	230	Spot	179	Basic-Tape 2						69	IR-S / IR-DS	249	
Corner Profile	87	LED 24V Dim-Controller	238	SPS Mini	25	Basic-Tape Meat						71	IR-Switch / Dimmer 10mm	NEW 247	
Cover Profile	80	LED 24V Dynamic-Controller	237	SR 45	145	Basic-Tape S						75	IR-Switch / Dimmer 24V	246	
Cover Profile H	81	LED 24V RGB-Controller	235	SR 68 4.8W / 7.5W	163	Corner Profile						87	LED 24	232	
<b>D</b>															
Dim-2-Warm SR 68	159	LED 350 accessories	240	SR 68 4.8W / 7.5W	163	Cover Profile H						81	LED 24 transformer	230	
Dim-2-Warm Tape	53	LED 350 accessories (Radio/Dim)	241	Stick 2	95	Cover Profile						80	LED 24V Dim-Controller	238	
Door contact switch	244	LED Track 24V	193	<b>T</b>											
Dynamic FAR 58	147	LED-2-Link accessories	187	Tape COB-10	59	Tape COB-4						57	LED 24V Dynamic-Controller	237	
Dynamic FAR 68	151	LED-2-Link Flood	185	Tape COB-4	57	Tape F						63	LED 24V Dynamic-Controller	237	
Dynamic IN-Stick SF	117	LED-2-Link Pixel	183	Tape F	63	Tape FN						65	LED 24V RGB-Controller	235	
Dynamic ModuLite F	205	LED-2-Link Spot	181	Tape L	61	Tape L						61	LED 350 accessories	240	
Dynamic Sky	215	LED-2-Link Spot	181	Tape Z	NEW 55	Tape Z						NEW 55	LED 350 accessories (Radio/Dim)	241	
Dynamic Slim-Pad F	219	Lugano	201	Top-Line	93	Tape Z						NEW 55	Luxor	251	
Dynamic SR 68	161	Luxor	251	Top-Stick FIR / FK	127	Top-Line						93	Motion sensor	243	
Dynamic Tape	49	<b>M</b>													
Dynamic Tape COB	NEW 45	Milled profile 8 mm	82	Top-Stick FMK / Top-Stick FMT	209	Milled profile 8 mm						82	Qi Fast-Charger	250	
Dynamic Tape F	47	Milled profile 12 mm	83	Top-Stick H / HR	123	Milled profile 12 mm						83	SEH / SAQ	251	
Dynamic Tape S	51	Milled profile 14 mm	NEW 82	Track 24V	23	Milled profile 14 mm						NEW 82	SEM	244	
Dynamic Top-Stick F	125	Milled profile 17mm	NEW 83	Track Spot	195	Milled profile 17mm						NEW 83	USB double socket	250	
<b>E</b>															
EBS 4	233	Milled profile 24 mm	86	Twin-Stick 2	99	Milled profile 24 mm						86	Wireless door contact switch	245	
Eco SR 68	NEW 165	Milled profile 34 mm	86	<b>U</b>											
Eco-Tape	73	Milled profile A 24 mm	84	U-Pad F	NEW 211	U-Pad F						NEW 211	<b>Configurator</b>		
EcoLite F	129	Milled profile C24 mm	NEW 84	UL 2-LED F	225	UL 2-LED F						225	Hera - Configurator	89	
Evo-Stick F2	105	Milled profile I 24 mm	85	UP + Down	109	UP + Down						109	<b>Showcase and over cabinet luminaires</b>		
Eye	141	Milled profile IC 24 mm	NEW 85	USB double socket	250	USB double socket						250	<b>Appendix</b>		
<b>F</b>															
FAR / FAQ 58	149	ModuLite F	207	<b>W</b>											
FAR / FAQ 68	155	Motion sensor	243	Wall	139	Wall						139	<b>Under cabinet luminaires</b>		
Flat-Track	21	Mounting Profile	79	Wardrobe Tube Luminaire	107	Wardrobe Tube Luminaire						107	<b>Accessories</b>		
FM 1 / FM 2	29	<b>P</b>													
FM 3	31	Pipe	115	Wardrobe Tube Luminaire Q	NEW 107	Pipe						115	<b>Appendix</b>		
FR 65/205 / FQ 65/205	169	Pipe F	113	Wireless door contact switch	245	Pipe F						113	<b>Appendix</b>		
<b>G</b>															
Glass Clip	199	Point S	197	<b>Z</b>											
<b>H</b>															
Hera - Configurator	89	Power-Stick S	97	Zoom	191	Zoom						191	<b>Appendix</b>		
HV FR 68- / HV FR 78	157	Power-Stick T	101	<b>Introduction</b>											
<b>I</b>															
<b>Power supply track systems</b>															
<b>Linear luminaires</b>															
<b>Recessed &amp; surface mounted luminaires</b>															
<b>Showcase &amp; cabinet luminaires</b>															
<b>Under cabinet luminaires</b>															
<b>Accessories</b>															
<b>Appendix</b>															



Photo: AdobeStock

## HOTEL & GASTRONOMY AS WELL AS INTERIOR & LIVING

Special features for accommodation & hospitality as well as for interior design

### Hotel & Gastronomy

Product	Page
AR 68	153
Basic Side-Tape	77
Basic-Tape 2	69
Bedside reading luminaire	171
Dim-2-Warm SR 68	159
Dim-2-Warm Tape	53
Door contact switch	244
Dynamic ModuLite F	205
Dynamic Tape	49
Dynamic Tape F	47
Dynamic SR 68	161
Eco SR 68	165
Eye	141
FR 65/205 / FQ 65/205	169
Glass Clip	199
HV FR 68 / 78	157
IN-Stick MF	119
ModuLite F	207
Motion sensor	243
Qi Fast-Charger	250
RGB Tape	39
RGBW Tape	37
Sky Window	173
Mirror light control	259
SR 45	145
SR 68 4.8W / 7.5W	163
Tape F	63
Tape FN	65
Top-Stick FMK	209
USB Double Socket	250
Wall	139
Wardrobe Tube Luminaire	107
Wardrobe Tube Luminaire Q	107

### Cabinet interior fittings

Product	Page
Door contact switch	244
IR Switch I24	248
IR-S / IR-DS	249
IR-Switch / Dimmer 10mm	247
IR-Switch / Dimmer 24V	246
Wardrobe Tube Luminaire	107
Wardrobe Tube Luminaire Q	107

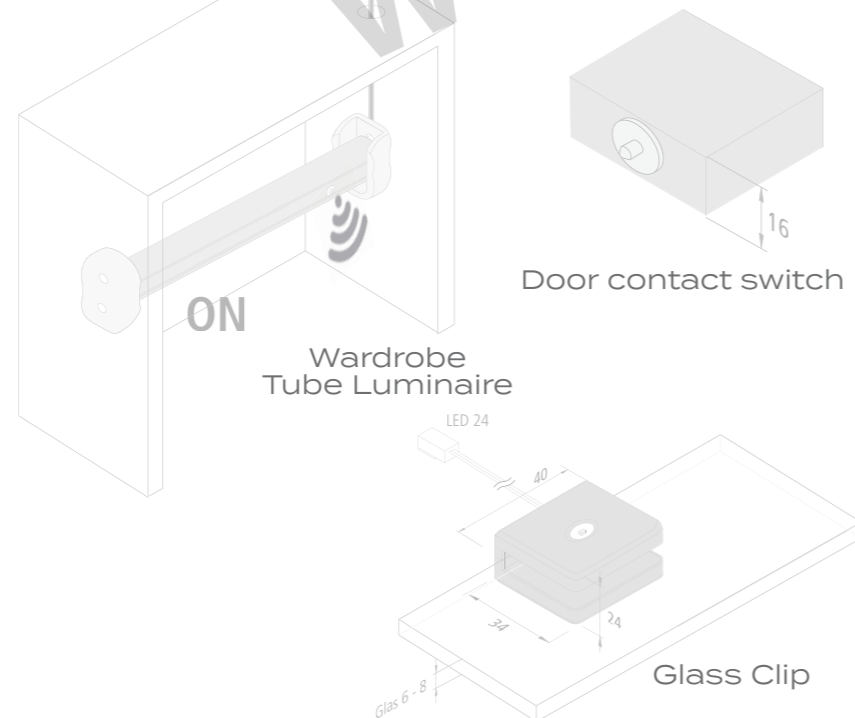


Photo: Shutterstock

## SHOWCASE LUMINAIRE & POWER SUPPLY TRACK SYSTEMS

Special products for the illumination of shelves and products

### Showcase lighting

Product	Page
Eye	141
LED-2-Link accessories	187
LED-2-Link Flood	185
LED-2-Link Pixel	183
LED-2-Link Spot	181
Spot	179
Track 24V	23
Track Spot	195
Zoom	191

### Power supply track systems

Product	Page
Flat-Track	21
LED 24	232
PS Mini	19
SPS Mini	25
Track 24V	23

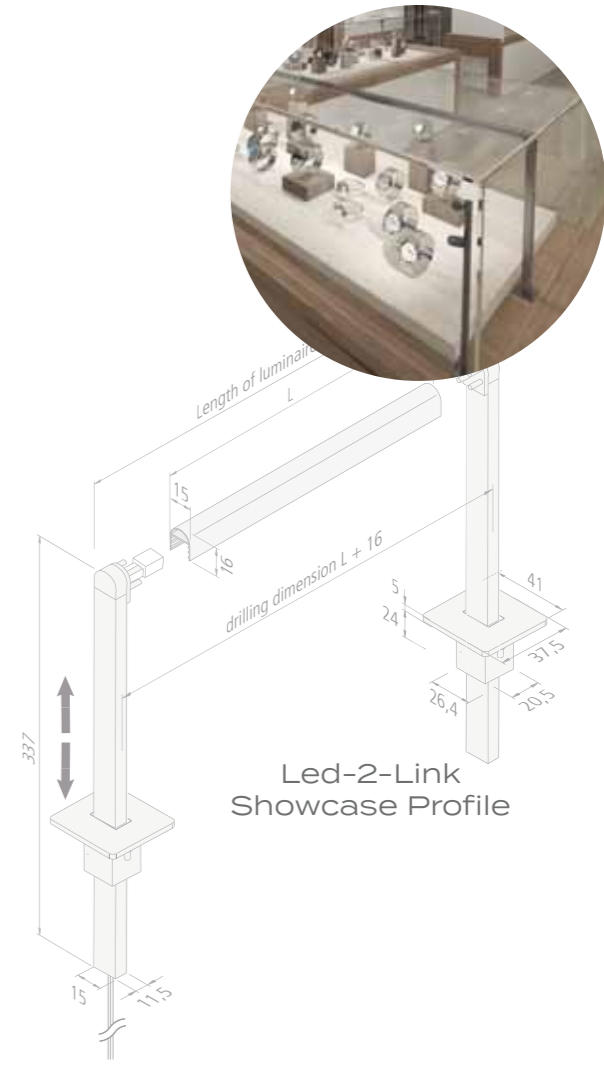
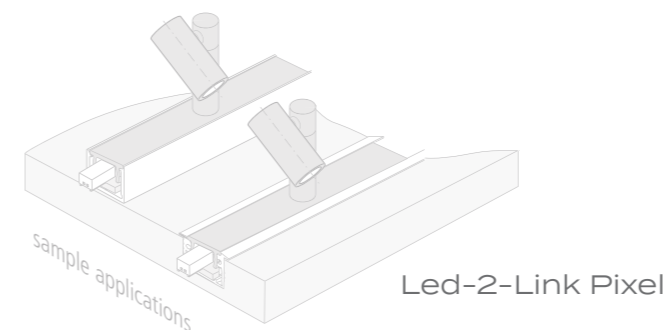
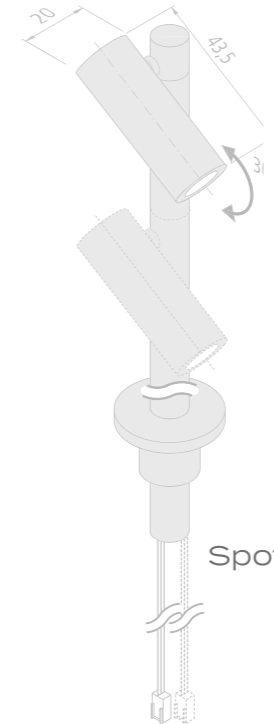




Foto: Shutterstock

## FOOD & SPECIAL LIGHT ATMOSPHERES

Special illumination of food in retail and lighting atmosphere

### Food - bread & meat

Product	Page
Basic-Tape 2	69
Basic-Tape Meat	71
Evo-Stick F2	105
IN-Stick H / HR	121
Pipe	115
Power-Stick T	101
Power-Stick TF	103
SlimLite® CS LED HE+	131
SlimLite® CS LED HO+ / HO+ dimmable	133
Top-Stick H / HR	123

### HCL / tunable

Product	Page
Dynamic FAR / FAQ 58	147
Dynamic FAR / FAQ 68	151
Dynamic IN-Stick SF	117
Dynamic ModuLite F	205
Dynamic Sky	215
Dynamic Slim-Pad F	219
Dynamic SR 68	161
Dynamic Tape	49
Dynamic Tape COB	45
Dynamic Tape F	47
Dynamic Tape S	51
Dynamic Top-Stick F	125
Sky Window	173

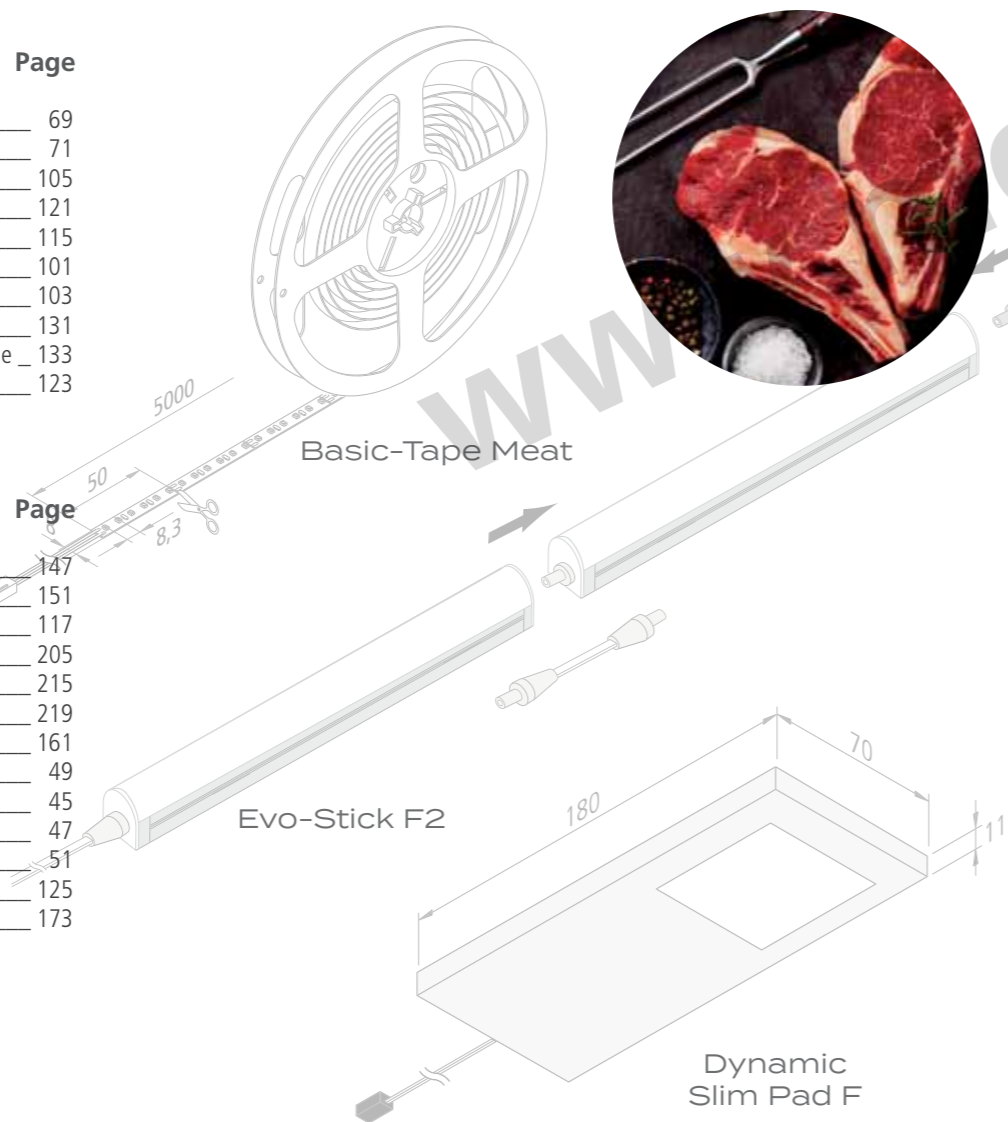


Foto: Shutterstock

## SMART HOME, HOME OFFICE & CUSTOMIZED SOLUTIONS

Intelligent solutions for individual requirements

### Smart Home

Product	Page
LED 24V Dim-Controller	238
LED 24V Dynamic-Controller	237
LED 24V RGB-Controller	235
RGBW Tape	37

### Workplace lamp UGR<19

Product	Page
Dim-2-Warm SR 68	159
Dynamic SR 68	161
SR 68 4.8W / 7.5W	163
Sky Window	173

### Eco luminaires

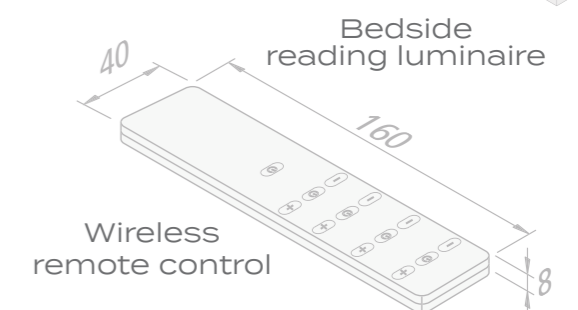
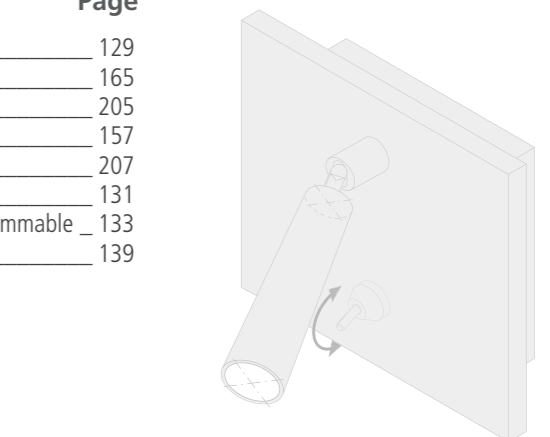
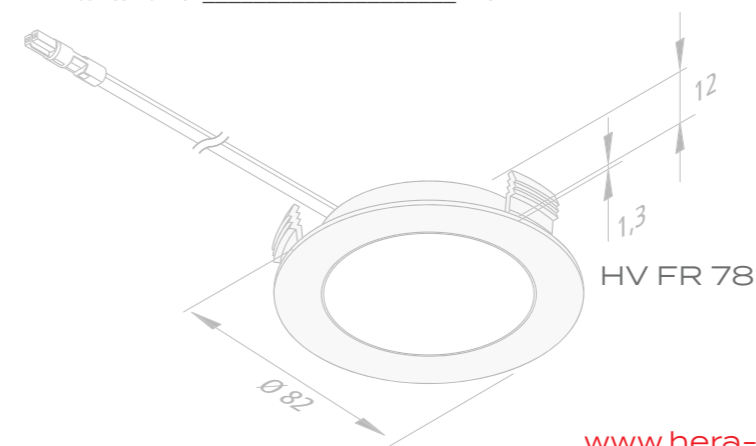
Product	Page
Eco SR 68	165
Eco-Tape	73
EcoLite F / HO	129

### Customized solutions

Product	Page
Bedside reading luminaire	171
FM 3	31
Lugano	201
Sky Window	173
Tape L	61
Wall	139

### 230V solutions

Product	Page
EcoLite F / HO	129
Eco SR 68	165
Dynamic ModuLite F	205
HV FR 68 / 78	157
ModuLite F	207
SlimLite® CS LED HE+	131
SlimLite® CS LED HO+ / HO+ dimmable	133
Wall	139





INTRODUCTION  
2 - 15



SHOWCASE & OVER-CABINET LUMINAIRES  
174 - 201



POWER SUPPLY TRACK SYSTEMS  
16 - 25



UNDER CABINET LUMINAIRES  
202 - 227



LINEAR LUMINAIRES  
26 - 135



ACCESSORIES  
228 - 251



RECESSSED AND SURFACE MOUNTED LUMINAIRES  
136 - 173



APPENDIX  
252 - 253  
INDEX BY ARTICLE NUMBER  
254 - 257



Cool light for working



Warm light for cosiness



Warm light on cold days



Cool light on hot days



Cool light to start the day



Warm light for a pampering bath



Dynamic LED cool white (5000K)



Dynamic LED warm white (2700K)

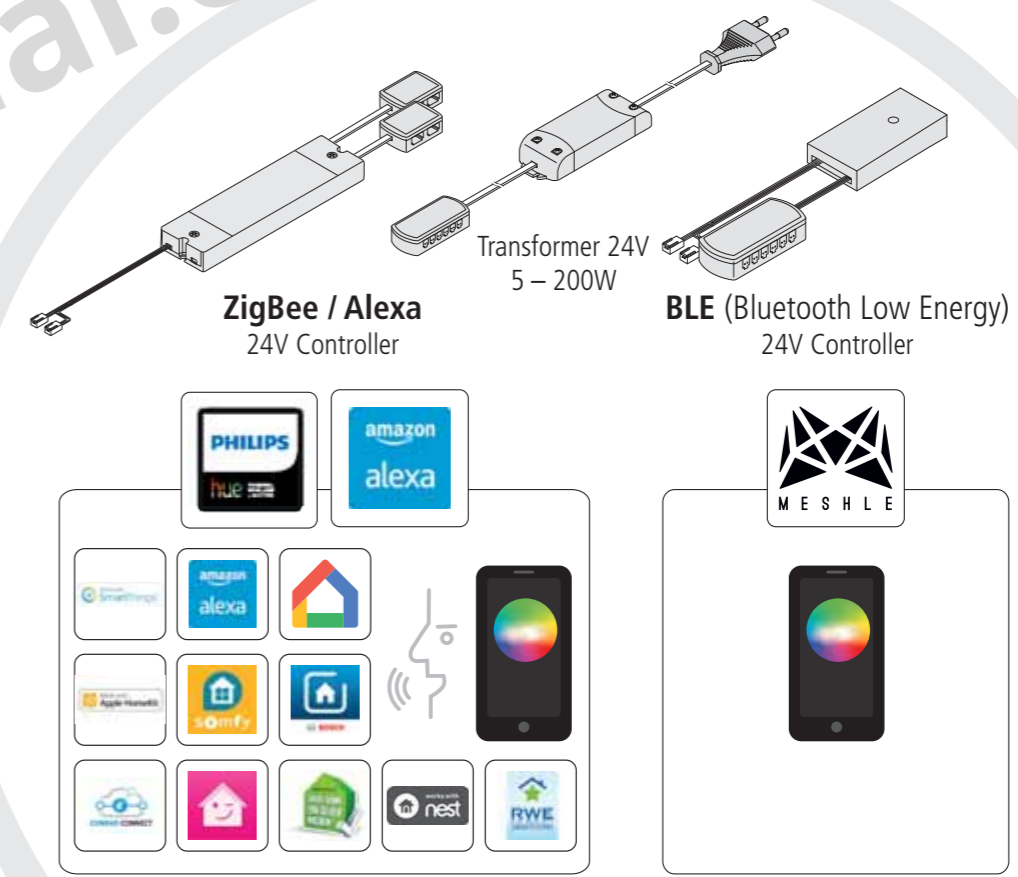
### Dynamic LED for harmoniously changing lighting atmospheres

In modern lighting design, lighting solutions are in demand which, in addition to outstanding energy efficiency, offer the possibility of dynamically adapting the brightness and colour appearance of the light to the respective needs and moods.

For the realisation of individual lighting scenarios the various Dynamic White luminaires are characterised by adjustable colour temperatures in the white range between extra warm white 2700 and cold white 5000 Kelvin. In addition to a Bluetooth Low Energy solution (via app using a smartphone or tablet), a 4-channel, recessed or surface-mounted radio remote control as well as a digital control via BUS systems (via DALI) are available for control.

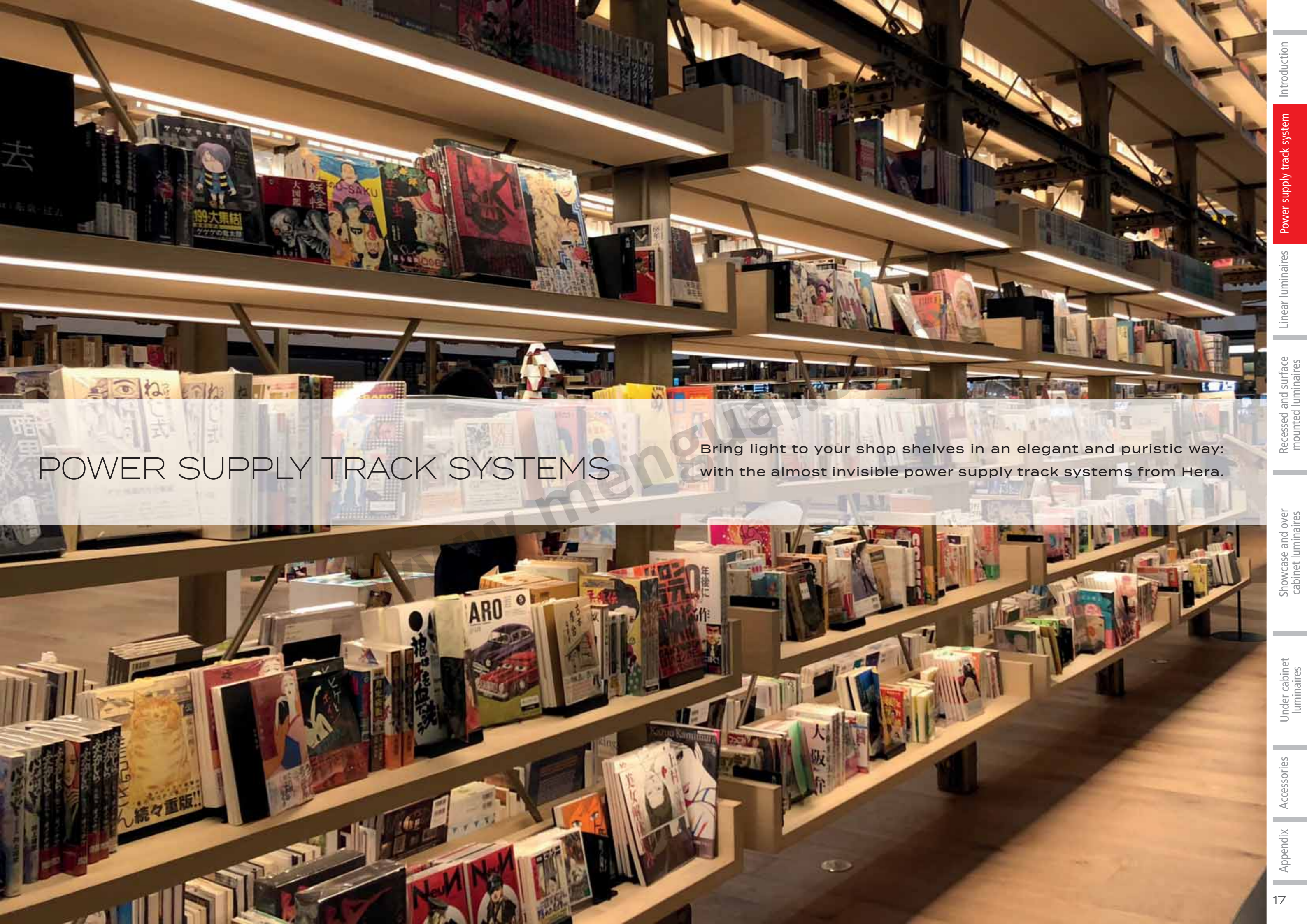
Likewise, in addition to individual preferences and lighting moods the light colour can thus be optimally matched to the colour of the ceiling luminaires or the extractor hood to achieve a uniform overall appearance.

With additional mounting brackets the recessed luminaires can also be used in drywall construction for realising a synchronous control of ceiling and kitchen luminaires.



**SMART HOME**  
cleverly combined





# POWER SUPPLY TRACK SYSTEMS

Bring light to your shop shelves in an elegant and puristic way: with the almost invisible power supply track systems from Hera.



# PS MINI

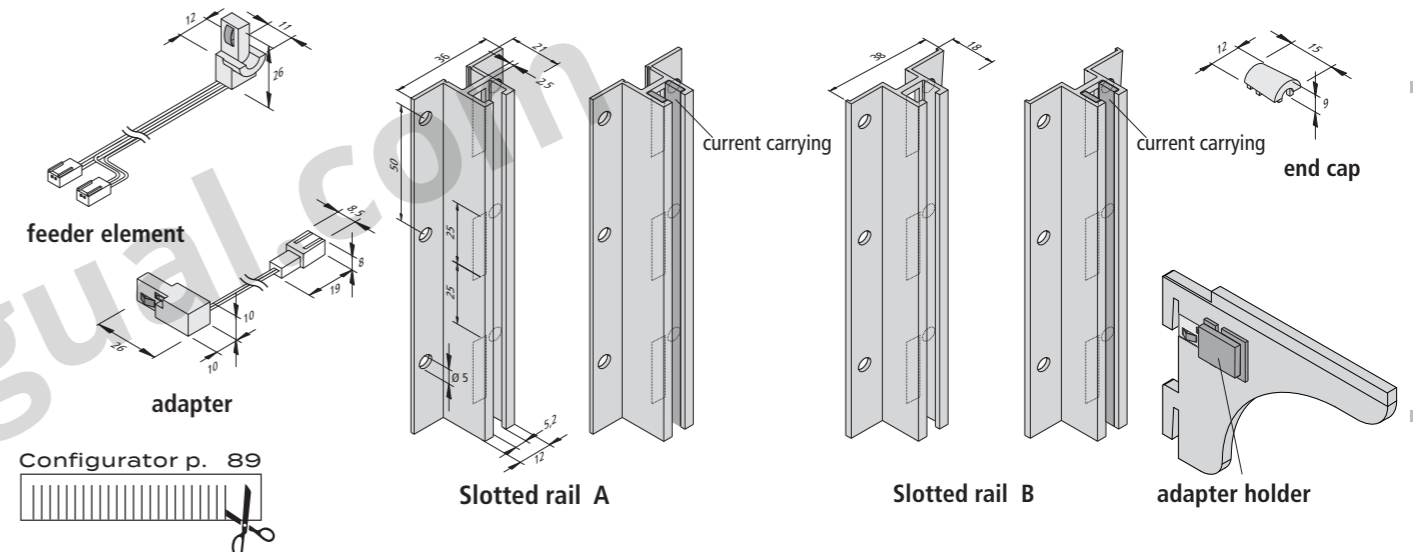
## Slotted rail with power supply 24 V



**Connection:** LED transformer DC 24 V  
**Output:** max. 115 W per track / 48 W per adapter

### Special features:

- invisible power supply, integrated into the system
- for flush-mounted installation
- both-sided power supply with a minimal material thickness of 38 mm (2x 19 mm)
- high variability because of stepless adjustment (without tools)
- colour: anodized aluminium, black and white on request
- NEW: PS Mini adapter holder for shelf bracket



Configurator p. 89



### Mounting variants

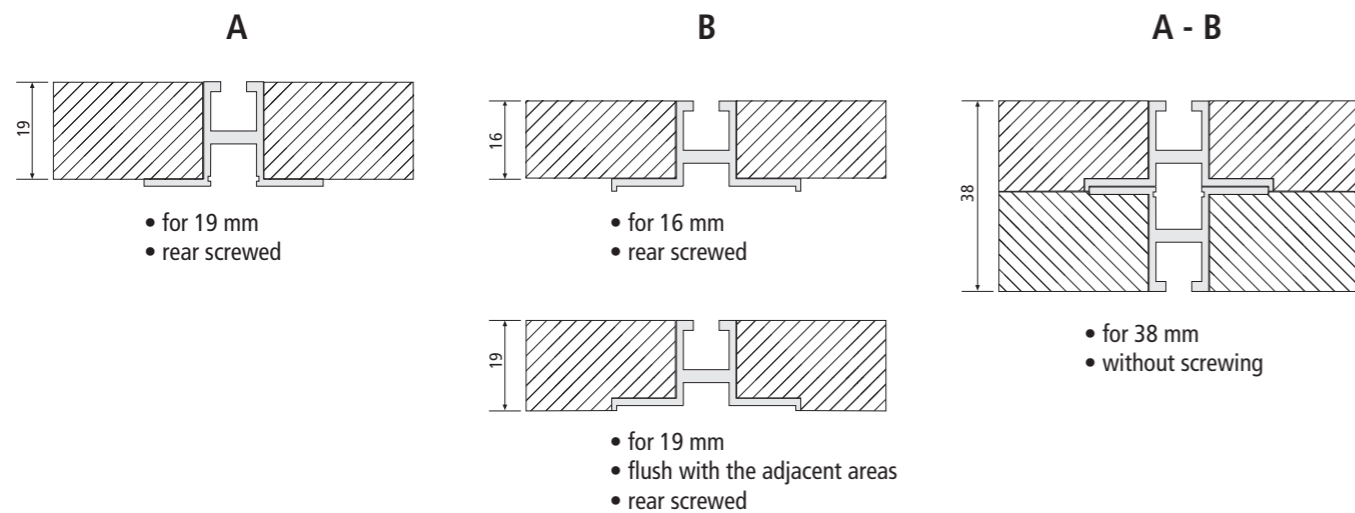


Illustration	Article No.	Description	Features	Weight approx.
	218 020 400 26	Slotted rail PS Mini A 2000mm anodized aluminium + current carrying	• anodized aluminium (black and white on request) • incl. current carrying	810 g
	218 020 401 26	Slotted rail PS Mini B 2000mm anodized aluminium + current carrying	• anodized aluminium (black and white on request) • incl. current carrying	810 g
	218 020 400 06	Slotted rail PS Mini A 2000mm anodized aluminium	• anodized aluminium (black and white on request) • <b>without</b> current carrying	760 g
	218 020 401 16	Slotted rail PS Mini B 2000mm anodized aluminium	• anodized aluminium (black and white on request) • <b>without</b> current carrying	760 g
	213 041 180 02	PS Mini end cap anodized aluminium	• anodized aluminium (black and white on request)	1 g
	215 450 125 02	PS Mini feeder element anodized aluminium	• supply cable 2,5m with 2 x LED 24 plug • max. 115W	63 g
	215 450 301 02	PS Mini adapter 0,1m anodized aluminium	• supply cable with LED 24 socket • max. 48W	4 g
	213 010 102 22	PS Mini adapter holder anodized aluminium	• in two parts	30 g
Accessories	PS Mini adapter: can be selected in the configurator as connection element			



# FLAT-TRACK

Flat power supply 24 V

Introduction

Power supply track system

Linear luminaires

Recessed and surface mounted luminaires

Showcase and over cabinet luminaires

Under cabinet luminaires

Accessories

Appendix

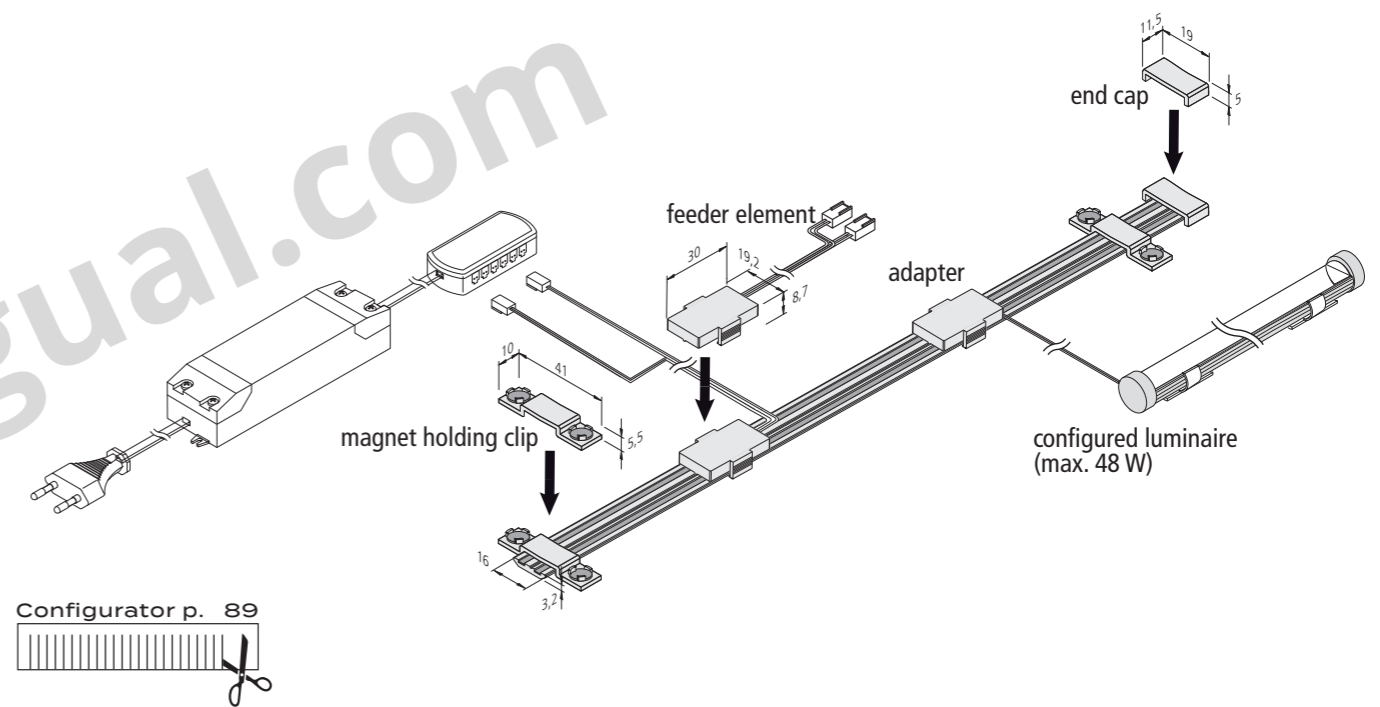


**Connection:** LED transformer DC 24 V

**Output:** max. 115 W per track

### Special features:

- for perfect and promotional illumination of shelves without disturbing and visible cables
- easy and time-saving installation without tools by magnet or adhesive fastening
- suitable for all common systems due to a minimal construction height of 3,2-3,5 mm (max.)
- also ideal for mounting on metal, wooden, glass or mirror backwalls
- flexible and nearly invisible positioning of current collector
- Flat-track available in 2 standard lengths (1500 and 2600 mm), cuttable to any length



Configurator p. 89



Illustration	Article No.	Description	Features	Weight approx.
	218 030 103 01	Flat-Track 1500mm white	<b>NEW</b>	100 g
	218 030 103 02	Flat-Track 1500mm grey		100 g
	218 030 103 03	Flat-Track 1500mm black		100 g
	218 030 104 01	Flat-Track 2600mm white	<b>NEW</b>	174 g
	218 030 104 02	Flat-Track 2600mm grey		174 g
	218 030 104 03	Flat-Track 2600mm black		174 g
	213 041 190 01	Flat-Track end cap white	<b>NEW</b>	1 g
	213 041 190 02	Flat-Track end cap grey		1 g
	213 041 190 03	Flat-Track end cap black		1 g
	218 030 401 01	Flat-Track magnet holding clip white	<b>NEW</b>	3 g
	218 030 401 02	Flat-Track magnet holding clip grey		3 g
	218 030 401 03	Flat-Track magnet holding clip black		3 g
	218 030 201 01	Flat-Track feeder element white	<b>NEW</b>	63 g
	218 030 201 02	Flat-Track feeder element grey		63 g
	218 030 201 03	Flat-Track feeder element black		63 g
	Accessories	Flat-Track adapter: can be selected in the configurator as connection element		



# TRACK 24V

Low-voltage power supply for 24 V DC



**Connection:** LED transformer DC 24 V  
**Output:** max. 200 W per track / 48 W per adapter

### Special features:

- adapter with double LED 24-connector for optional power supply of two shelves
- suitable luminaires and other accessories page 193

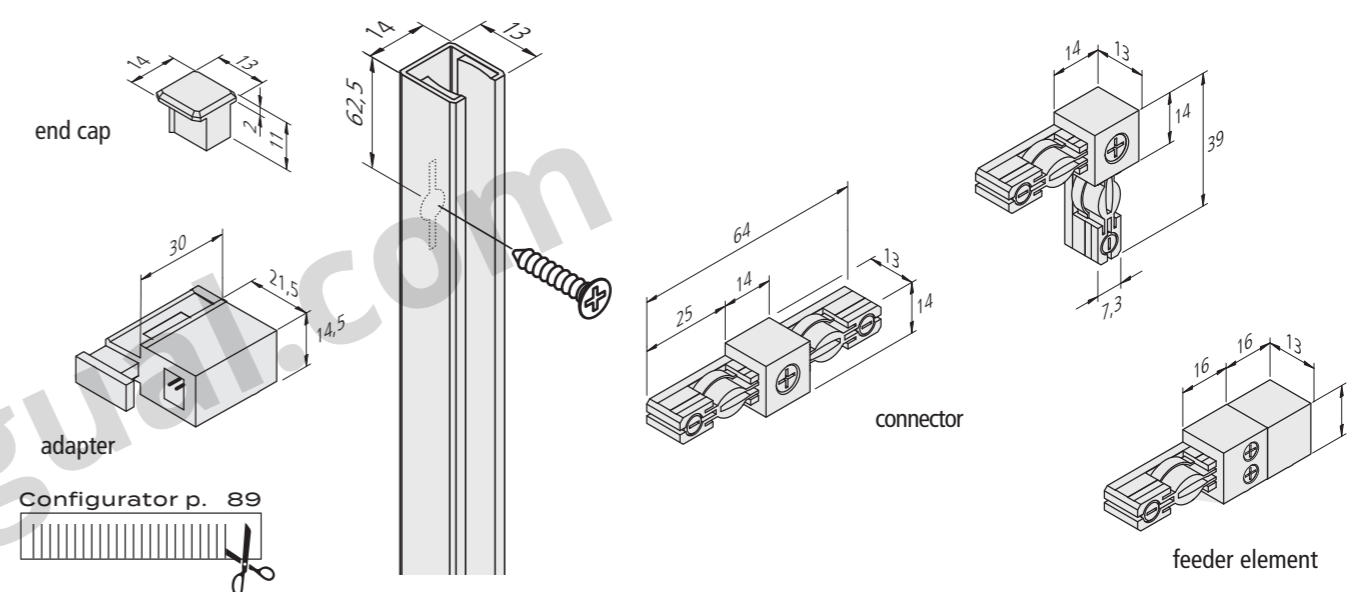


Illustration	Article No.	Description	Features	Weight approx.
	218 000 801 03	Track adapter black	• with 2x LED 24 connector • max. 2x 48W	10 g
	218 000 801 07	Track adapter anodized aluminium		10 g
	218 000 101 03	LED Track 300mm black	• can be cut to length • incl. fastening screws	70 g
	218 000 101 07	LED Track 300mm anodized aluminium		70 g
	218 000 102 03	LED Track 600mm black		140 g
	218 000 102 07	LED Track 600mm anodized aluminium		140 g
	218 000 103 03	LED Track 1000mm black		230 g
	218 000 103 07	LED Track 1000mm anodized aluminium		230 g
	218 000 201 23	Track feeder element black	• with terminal screws for connection to the transformer • max. 200W	7 g
	218 000 201 27	Track feeder element anodized aluminium		7 g
	218 000 301 03	LED Track Connector black	• for connecting two rails at 180°	10 g
	218 000 301 07	LED Track Connector anodized aluminium		10 g
	218 000 401 03	LED Track Corner Connector black	• for connecting two rails at 90°	10 g
	218 000 401 07	LED Track Corner Connector anodized aluminium		10 g
	218 000 501 03	LED Track End Cap black		2 g
	218 000 501 07	LED Track End Cap anodized aluminium		2 g
	615 003 008 17	Transformer LED 24/ 30W with connecting cable 1m + ferrules	• mains cable 2m with Euro plug	250 g
	206 040 019 04	Transformer LED 24/ 75W with connecting cable 1m + ferrules		460 g
	615 003 013 15	Transformer LED 24/200W with connecting cable 1m + ferrules		611 g



# SPS MINI

Invisible shelf power supply 24 V

Introduction

Power supply track system

Linear luminaires

Recessed and surface mounted luminaires

Showcase and over cabinet luminaires

Under cabinet luminaires

Accessories

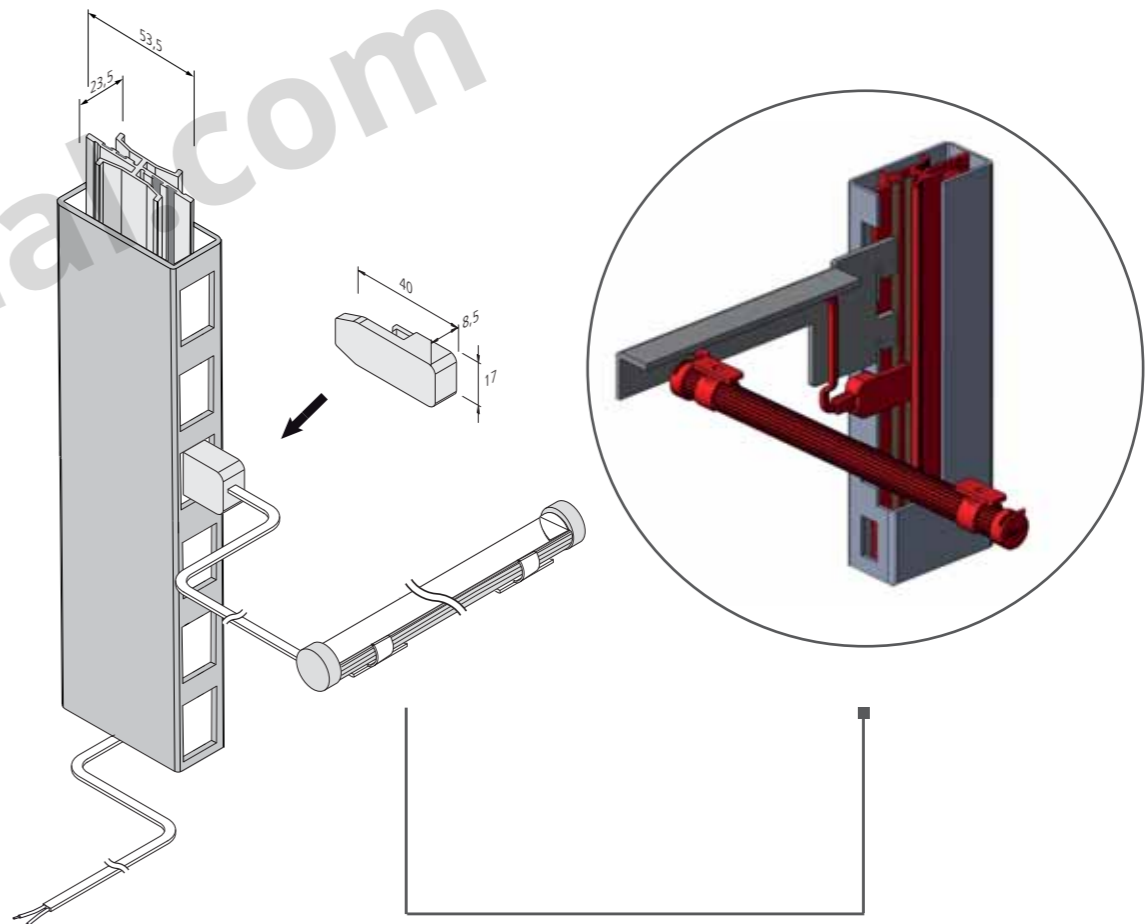
Appendix



**Connection:** LED transformer DC 24 V  
**Output:** max. 240 W per track / 48 W per adapter

**Special features:**

- easy and time-saving installation without tools
- one plug & play system as a complete solution, combinable with all 24 V Hera luminaires from the configurator
- for illumination of e.g. metal, wooden and glass shelves
- the through-connected SPS power track enables a two-sided use (ideal for e.g. „Gondola“ applications)
- as the adapter locks to the inside track, any 30/60 system can be used, regardless of the grids



Configurator p. 89



Illustration	Article No.	Description	Features	Weight approx.
	218 041 101 03	SPS Mini power track 600mm	<ul style="list-style-type: none"> <li>• can be cut to length</li> <li>• incl. fixing device</li> <li>• for 30/60mm profile</li> <li>• supply cable 2m with ferrules for direct connection to the transformer</li> <li>• max. 240W</li> </ul>	425 g
	218 041 102 03	SPS Mini power track 1100mm		700 g
	218 041 103 03	SPS Mini power track 1800mm		1100 g
	Accessories	SPS Mini power track adapter black: can be selected in the configurator as connection element		

# LINEAR LUMINAIRES

LED tapes can be used in many ways, whether as flexible tapes for indirect lighting or integrated into attractive recessed and surface-mounted profiles.



Application examples



# FM 1 / FM 2

LED modules for backlight applications



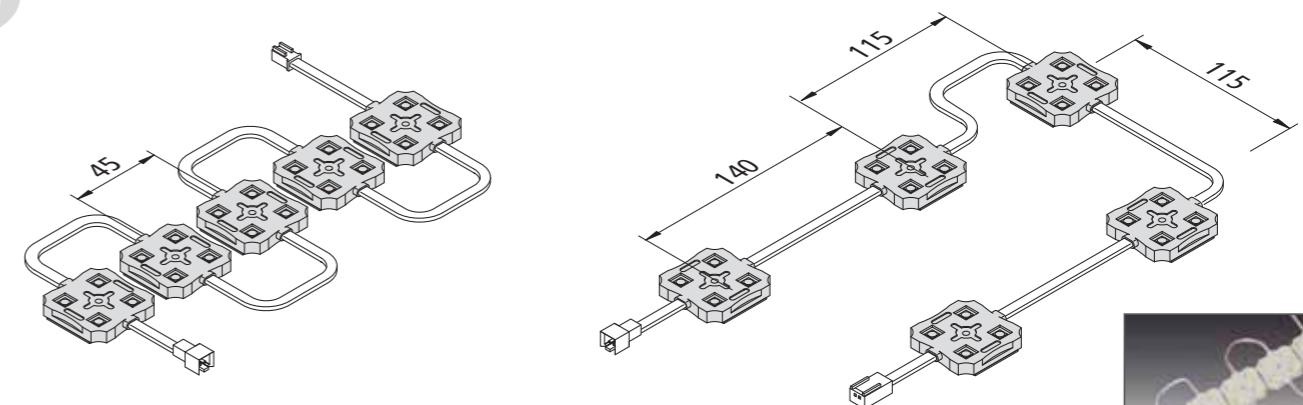
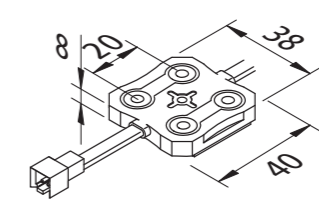
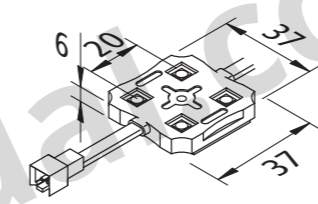
**Connection:** LED transformer DC 24 V  
**Life:** L70/B10 ≥ 40.000 hours  
**Energy efficiency:** LED: 100 - 110 lm/W; luminaire FM 1: 450 lm / FM 2: 540 lm  
**Colour rendering:** Ra/CRI > 80

**Special features:**

- on a minimum distance of 45 mm (min. distance between seating and diffusor FM 1: 30 mm / FM 2: 25 mm) only 100 units (5 modules are 1 unit, 500 / 750 W) per squaremeter are required
- on a maximum distance of 115 mm (min. distance between seating and diffusor FM 1: 80 mm / FM 2: 60 mm) only 15 units (5 modules are 1 unit, 75 / 113 W) per squaremeter are required max. 9 units (FM 2: 6 units 5 modules are 1 unit) per connection line
- easy installation due to adhesive tape or screws.

FM 1-LED

FM 2-LED



FM 1 & FM 2

Illustration	Article No.	Description	Features	Weight approx.
	202 021 001 03	FM 1-LED 5x1,0W nw (20 LED)	<ul style="list-style-type: none"> <li>• colour appearance nw (neutral white) approx. 4000K</li> <li>• supply cable 5cm with LED 24 plug</li> <li>• connecting cable 5cm with LED 24 socket</li> </ul>	60 g
	202 021 011 03	FM 2-LED 5x1,5W nw (20 LED)		60 g
	215 300 610 01	LED 24 connecting cable 1,0m	<ul style="list-style-type: none"> <li>• up to max. 60W usable</li> <li>• further information + lengths on page 232</li> </ul>	9 g
	215 300 625 01	LED 24 connecting cable 2,5m		22 g
	206 040 023 01	Transformer LED 24/ 5W DC 24V	<ul style="list-style-type: none"> <li>• mains cable 2m with Euro plug</li> <li>• 12-way distributor</li> </ul>	160 g
	206 040 011 01	Transformer LED 24/ 15W DC 24V		167 g
	206 040 012 01	Transformer LED 24/ 30W DC 24V		330 g
	206 040 019 01	Transformer LED 24/ 75W DC 24V		460 g
	206 040 030 02	Transformer LED 24/200W DC 24V		611 g

Introduction

Power supply track system

Linear luminaires

Recessed and surface mounted luminaires

Showcase and over cabinet luminaires

Under cabinet luminaires

Accessories

Appendix



Photo: Juwelier Dural



# FM 3-LED

LED modules for backlight applications



**Connection:** LED transformer DC 24 V  
**Life:** L70/B10 ≥ 40.000 hours  
**Energy efficiency:** LED: 125 lm/W; luminaire FM 3 Basic: **1760 lm** / FM 3: **3310 lm** / Dynamic FM 3: **1560 lm**  
 LED: 33 lm/W; luminaire RGB FM 3: **824 lm**  
**Colour rendering:** Ra/CRI > 80

### Special features:

- 8 units (128 / 256 W) per squaremeter are required (min. distance between seating and diffusor = FM 3: 30 mm)
- easy installation due to adhesive tape

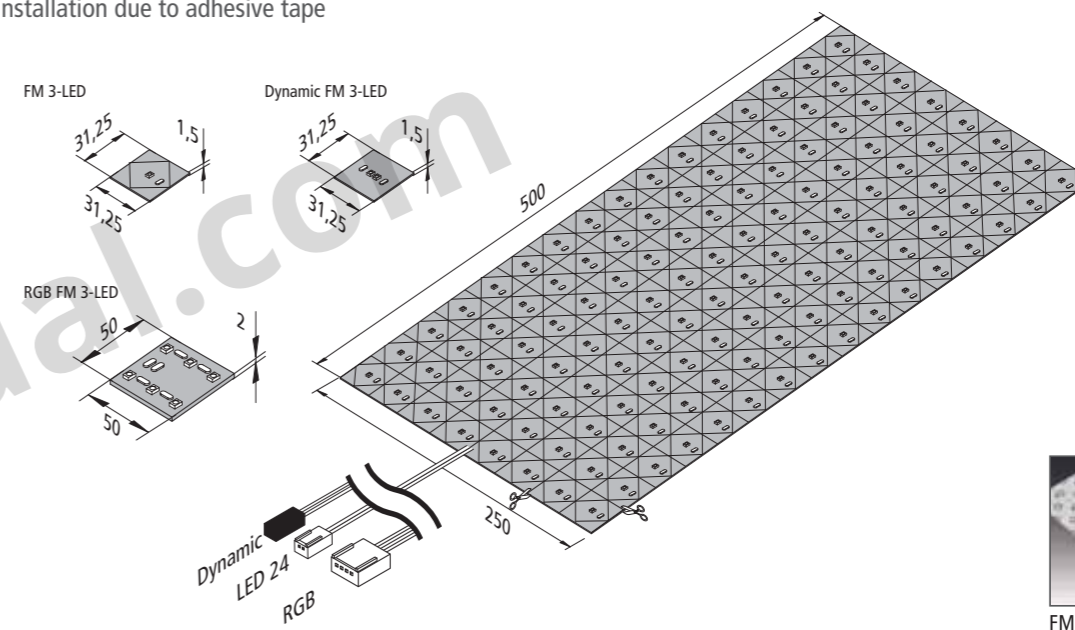


Illustration	Article No.	Description	Features	Weight approx.
	610 015 821 03	FM 3 Basic-LED 16W nw (128 LED)	<ul style="list-style-type: none"> <li>• colour appearance nw (neutral white) approx. 4000K</li> <li>• supply cable 2,5m with LED 24 plug</li> </ul>	140 g
	610 015 812 03	FM 3-LED 32W nw (128 LED)		140 g
	610 015 830 01	Dynamic FM 3-LED 16W (2 x 128 LED)	<ul style="list-style-type: none"> <li>• colour appearance adjustable between approx. 2700K and 5000K</li> <li>• supply cable 2,5m with Dynamic plug</li> <li>• <b>Dynamic controllers</b> page 237</li> </ul>	140 g
	610 015 840 01	RGB FM 3-LED 32W (300 LED)	<ul style="list-style-type: none"> <li>• colour appearance RGB</li> <li>• supply cable 2,5m with RGB plug</li> <li>• <b>RGB controllers</b> page 235</li> </ul>	175 g
	215 300 610 01	LED 24 connecting cable 1,0m	<ul style="list-style-type: none"> <li>• up to <b>max. 60W</b> usable</li> <li>• further information + lengths on page 232</li> </ul>	9 g
	215 300 625 01	LED 24 connecting cable 2,5m		22 g
	206 040 023 01	Transformer LED 24/ 5W DC 24V	<ul style="list-style-type: none"> <li>• mains cable 2m with Euro plug</li> <li>• 12-way distributor</li> </ul>	160 g
	206 040 011 01	Transformer LED 24/ 15W DC 24V		167 g
	206 040 012 01	Transformer LED 24/ 30W DC 24V		330 g
	206 040 019 01	Transformer LED 24/ 75W DC 24V		460 g
	206 040 030 02	Transformer LED 24/200W DC 24V		611 g



		from page	width x height [mm]	LED distance [mm]	shorten all [mm]	max. length per supply cable [m]	beam angle	lumen per meter	watt per meter
	RGBW Tape 300	37	10 x 2,5	16,7	100	6	120°	530 330	17,6
	RGB Tape 150			33,3	167	10		175	7
	RGB Tape 300	39	10 x 2	16,7	100	5	120°	350	12
	RGB Tape 480			10,6	62,5	4		550	17
	RGB Tape FN	43	6,5 x 11	planar	62,5	5	115°	120	12
	Dynamic Tape	49	10 x 3	8,3	50	5	120°	1470	14,4
	Dynamic Tape S	51						1300	15
	Dim-2-Warm Tape	53	10 x 3	8,3	50	5	120°	1170	15
	RGB Tape F	41	10 x 10	7	62,5	5	120°	510	13
	Dynamic Tape F	47						590	8
	Tape F	63						870	8
	Dynamic Tape COB 10	45	10 x 3	planar	27,78	5	170°	1270	9,6
	Tape COB 4	57	4 x 3	planar	50	5	180°	500	5
	Tape COB 10	59	10 x 3					1300	9,6

		from page	width x height [mm]	LED distance [mm]	shorten all [mm]	max. length per supply cable [m]	beam angle	lumen per meter	watt per meter
	Premium Tape 300			16,7	100	10		332	4
	Premium Tape 600	67	10 x 2	8,3	50	6	120°	664	8
	Premium Tape 1200			4,2	25	5		1328	16
	Basic-Tape 2 300	69	8 x 2	16,7	100	10	120°	412	4
	Basic-Tape 2 600 & Meat		8 x 2	8,3	50	6		824	8
	Basic-Tape 2 1200		10 x 2	4,2	25	5		1650	16
	Basic-Tape M 1200		10 x 2	4,2	25	10		468	4
	Basic-Tape P 1200		10 x 2	4,2	25	5		2472	24
	Eco-Tape 150	73	8 x 2	33,4	200	10	120°	234	2 / 4
	Eco-Tape 300		8 x 2	16,7	100	10		468	4 / 8
	Eco-Tape 600		8 x 2	8,3	50	6		936	8
	Eco-Tape 1200		10 x 2	4,2	25	5		1870	16
	Basic-Tape S 600	75	8 x 3	8,3	50	6	120°	780	8
	Basic Side-Tape	77	8 x 2	8,3	50	6	120°	800	8
	Tape FN-3	65	3 x 7		35,7		112°	225	6,4
	Tape FN-3T		3 x 7	planar	35,7	5	112°	225	6,4
	Tape FN-4		4 x 8		50		120°	221	9,6
	Tape L	61	20 x 10	23,8	167	5	10°	1300	16
	Tape Z	55	6 x 2	16,7	100	5	110°	672	6

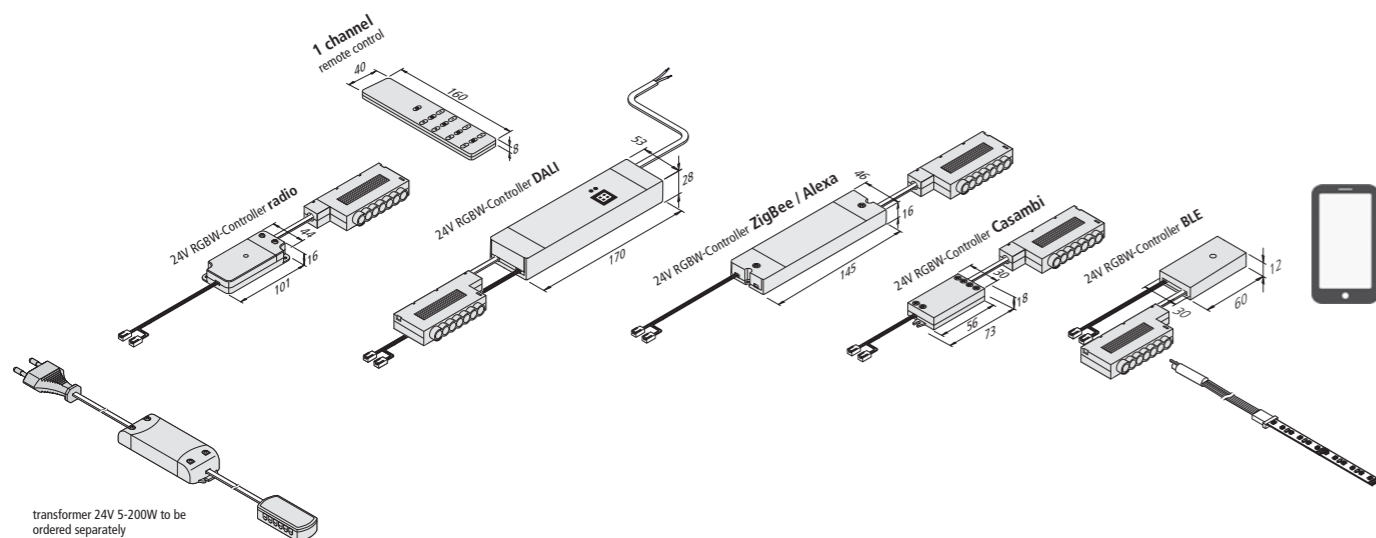
		from page	width x height [mm]	LED distance [mm]	shorten all [mm]	max. length per supply cable [m]	beam angle	lumen per meter	watt per meter
	Stick 2	95	10 x 10	8,3	100	2,4 *	65°	600	8
	Power-Stick S	97	10 x 6,4	25	raster 100	2,4 *	120°	935	13,3
	Twin-Stick 2	99	18 x 10	8,3	raster 100	2,4	55°	1140	14,7
	Power-Stick T	101	18 x 10	16,7	raster 100	3*	85°	1505	20
	Power-Stick TF	103	18 x 13				120°	1700	
	Evo-Stick F2	105	18 x 17,8	16,7	raster 100	3,6	140°	1900	20
	Pipe F	113	Ø 14	planar	4 lengths	-	120°	1100	ca. 22
	Pipe	115		16,7			100°	1530	25

		from page	width x height [mm]	LED distance [mm]	shorten all [mm]	max. length per supply cable [m]	beam angle	lumen per meter	watt per meter
	Dynamic IN-Stick SF	117	24 x 13	planar				651	ca. 16
	IN-Stick MF	119	24 x 8	planar	4 lengths	-	100°	1029	ca. 16
	IN-Stick H / HR	121	34 x 13	16,7				1342	25
	Dynamic Top-Stick F	125	40 x 12	planar			100°	830	ca. 16
	Top-Stick F	127	40 x 12	planar	4 lengths	-	110°	1100	ca. 22
	Top-Stick H / HR	123	40 x 12	16,7			100°	1302	25
	Top-Stick FMK	209	15 x 8	4,2	4 lengths	-	110°	1135	16
	Top-Stick FMT	209							
	EcoLite F (230V-luminaires)	129	22 x 33	planar	5 lengths	see table	170°	1100	ca. 12
	EcoLite F HO (230V-luminaires)	129	2 x 33	planar	5 lengths	see table	170°	1600	ca. 14
	SlimLite® CS LED HE+	131	24 x 40	24	3 lengths	see table	110°	750	8
	SlimLite® CS LED HO+ (230V-luminaires)			16				1670	17
	Dynamic ModuLite F	205	40 x 15		3 lengths	see table	110°	1583	ca. 17
	ModuLite F (230V-luminaires)	207		4 lengths	1430				



### BLE Controller (Bluetooth Low Energy):

- controllable via any iOS or Android device (with free Meshle app).
- Range indoor up to 15 m (mesh network)
- free programmable scenes
- easy installation thanks to plug & play components and plug-in system
- can be used individually as a stand-alone controller
- up to 30 controllers automatically connect to each other and can be controlled via Bluetooth in the app
- incl. timer function (individual switch-on and switch-off times)



transformer 24V 5-200W to be ordered separately

# RGBW TAPE

Self-adhesive flexible LED RGBW strips

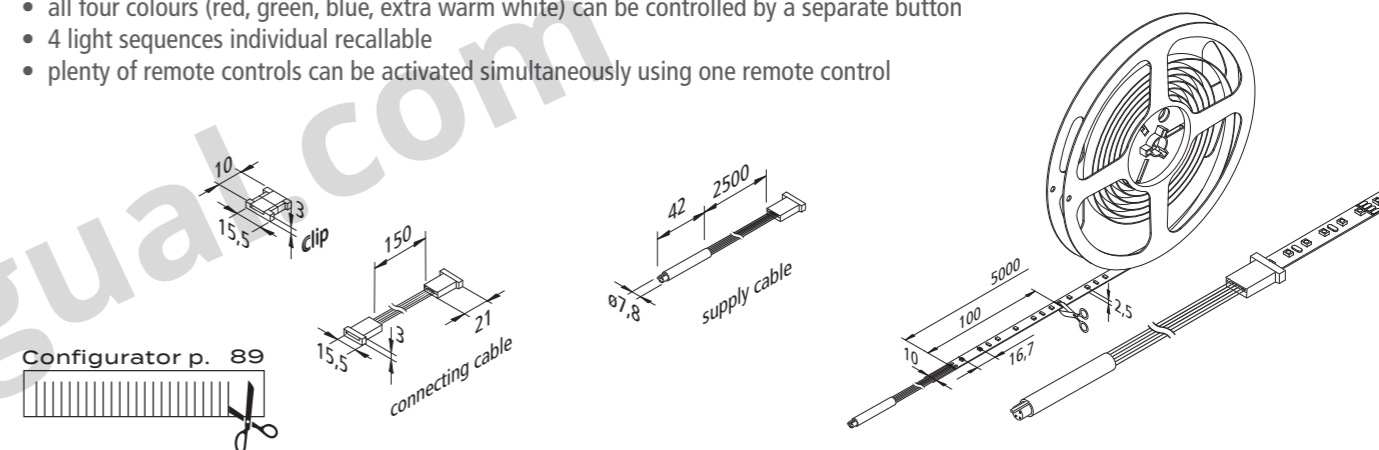


**Connection:** LED transformer DC 24 V  
**Life:** L70/B10 ≥ 40.000 hours  
**Energy efficiency:** luminaire RGB / white: 530 / 330 lm/m (49 lm/W)  
**Colour rendering:** weiß: Ra/CRI > 90

LED RGBW Tape					
	R	G	B	RGB	xw
0,5m	200 lx	508 lx	124 lx	832 lx	728 lx
1,0m	50 lx	127 lx	31 lx	208 lx	182 lx
1,5m	22 lx	56 lx	14 lx	92 lx	81 lx
2,0m	13 lx	32 lx	8 lx	52 lx	46 lx
2,5m	8 lx	20 lx	5 lx	33 lx	29 lx

### Special features:

- beside RGB also „real“ xw (extra warm white)
- max. 6 m on one supply cable
- quick and easy installation due to double-sided adhesive tape and clips
- can be shortened every 100 mm (marks between the LEDs)
- controller with remote control and memory function (after cut off from mains the last colour appearance and brightness is recovered)
- all four colours (red, green, blue, extra warm white) can be controlled by a separate button
- 4 light sequences individual recallable
- plenty of remote controls can be activated simultaneously using one remote control



Configurator p. 89

Illustration	Article No.	Description	Features	Weight approx.
	610 020 901 03	LED RGBW Tape 2,5m 150 LED 47W	• incl. supply cable 2,5m with RGBW plug • without silicone compound	130 g
	202 026 811 00	LED RGBW Tape 5,0m 300 LED 88W		130 g
	215 400 125 01	Supply cable RGBW Tape 2500mm	• connection between controller and RGBW Tape	50 g
	215 400 620 01	Connecting cable RGBW 2000mm		50 g
	215 400 001 00	Connecting clip RGBW Tape	• connection between two sections of the RGBW Tape	1 g
	215 400 600 01	Connecting cable RGBW Tape 50mm		2 g
	215 400 601 00	Connecting cable RGBW Tape 150mm		2 g
	615 000 505 81	24V RGBW-Controller radio 120W with 7-way distributor	• incl. 1 channel remote control for RGBW, to dim and switch (operating distance max.15m)	240 g
	208 050 030 53	24V RGBW-Controller radio 120W with 7-way distributor	• without remote controll (only as extension to transformers with remote control)	180 g
	615 000 505 82	24V RGBW-Controller DALI 120W with 7-way distributor	• dim control cable 0,3m with ferrules • to dim and switch and change the colour of RGBW luminaires	115 g
	208 050 055 01	24V RGBW-Controller BLE 120W with 7-way distributor <b>NEW</b>	• operating distance 15 m (Mesh network)	70 g
	615 000 522 31	24V RGBW-Controller ZigBee / Alexa 96W with 7-way distributor	• list of compatible systems see www.hera-online.de	90 g
	615 000 516 31	24V RGBW-Controller CASAMBI 100W with 7-way distributor	• App: www.casambi.com	90 g
<b>Accessories</b>		<b>Profiles from page 79 / LED transformers 24V from page 230</b>		

BLE Controller expected to be available from June 2023



# RGB TAPE

Self-adhesive flexible LED RGB strips

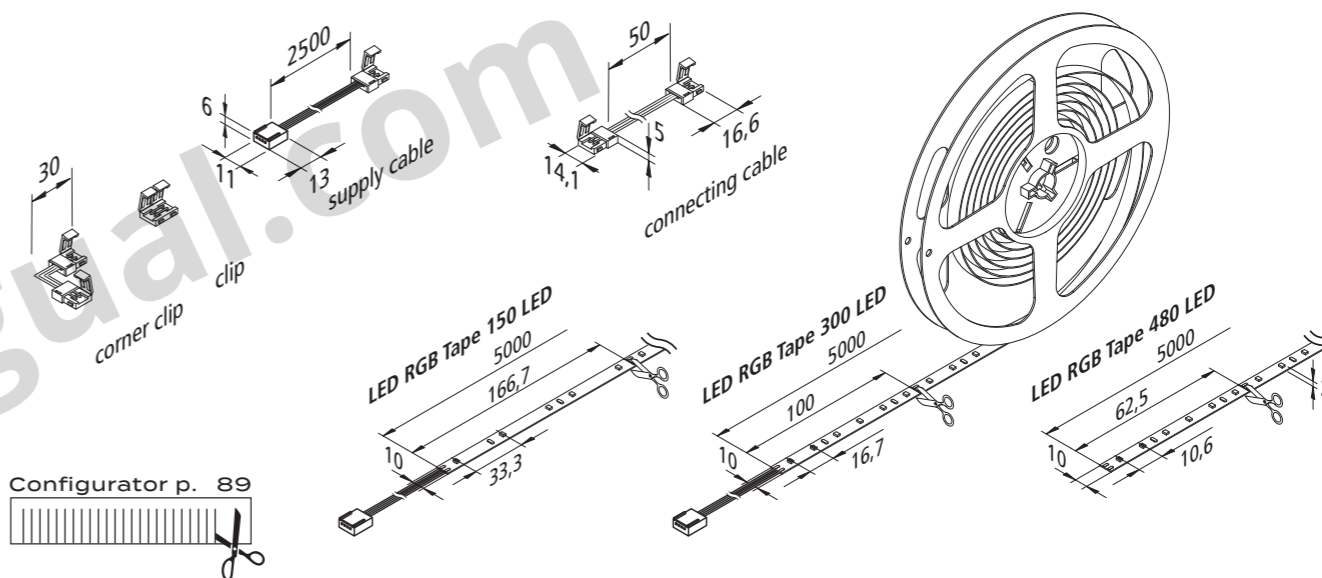


**Connection:** LED transformer DC 24 V  
**Life:** L70/B10 ≥ 40.000 hours  
**Energy efficiency:** luminaire white: **175 / 350 / 550 lm/m** (25 / 29 / 32 lm/W)

LED RGB Tape		35W	60W	85W
0,5m	Ø 650	340 lx	660 lx	1006 lx
1,0m	Ø 1300	85 lx	165 lx	252 lx
1,5m	Ø 1950	38 lx	73 lx	112
2,0m	Ø 2600	21 lx	41 lx	63
2,5m	Ø 3250	14 lx	26 lx	40

### Special features:

- max. 4 / 5 / 10 m (version 480 / 300 / 150 LED) on one supply cable
- quick and easy installation due to double-sided adhesive tape and clips
- can be shortened every 62,5 / 100 / 167 mm (marks between the LEDs)
- RGB-controllers (radio + WiFi + DALI) page 235



Configurator p. 89

Illustration	Article No.	Description	Features	Weight approx.
	202 026 501 00	LED RGB Tape 5m 150 LED 35W	• incl. supply cable 2,5m with RGB plug • without silicone compound	130 g
	202 026 502 00	LED RGB Tape 5m 300 LED 60W		150 g
	202 026 503 00	LED RGB Tape 5m 480 LED 85W	• <b>not combinable with clip</b> • <b>only for soldering or to be planned via the configurator!</b> • <b>max. 4m on one supply cable</b>	150 g
	215 390 425 01	Supply cable RGB Tape 2500mm	• connection between controller and RGB Tape	40 g
	215 390 002 00	Corner clip RGB Tape		1 g
	215 390 001 00	Connecting clip RGB Tape	• connection between two sections of the RGB Tape	1 g
	215 390 600 01	Connecting cable RGB Tape 50mm		2 g
	215 390 601 01	Connecting cable RGB Tape 1000mm		2 g
	615 000 505 44	24V RGB-Controller radio 75W with 1 channel remote control black	• as a <b>necessary</b> accessory • for RGB, dim and switch • with 4-way distributor • further RGB-controllers (e. g. BLE + DALI) page 235	130 g
	615 000 505 41	24V RGB-Controller radio 75W with surface mounted remote control stainless steel look		105 g
	208 050 030 22	24V RGB-Controller radio 75W without remote control (only as extension)		65 g
	215 080 607 05	LED RGB 4-way distributor	• cable 100mm with RGB plug • for 3 additional supply cables	16 g
Accessories		Profiles from page 79 / LED transformers 24V from page 230 / DALI and BLE controller page 235		



Citymuseum Paderborn



Citymuseum Paderborn

# RGB TAPE F

Self-adhesive flexible LED RGB strips with homogeneous planar light

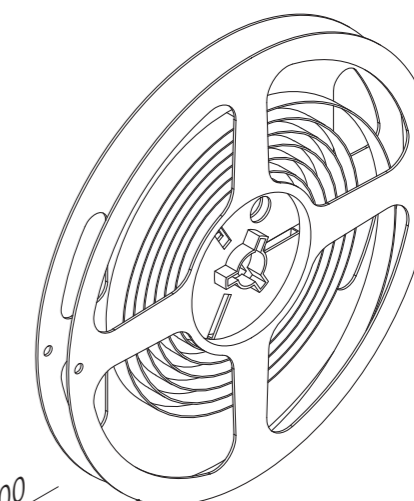


**Connection:** LED transformer DC 24 V  
**Life:** L70/B10 ≥ 50.000 hours  
**Energy efficiency:** luminaire white: **510 lm/m** (41 lm/W)

LED RGB Tape F		RGB
0,5m	Ø 650	408 lx
1,0m	Ø 1300	102 lx
1,5m	Ø 1950	45 lx
2,0m	Ø 2600	26 lx
2,5m	Ø 3250	16 lx

### Special features:

- max. 5 m per supply cable
- quick and easy installation due to double-sided adhesive tape
- tapes can be shortened at 50 mm intervals
- afterwards the tapes cannot be reconnected
- minimum bending radius 60mm
- with IP54 suitable for applications requiring higher ingress protection (general humidity, bathroom, kitchen, shops)
- planar light (no visible luminous spots)



Configurator p. 89

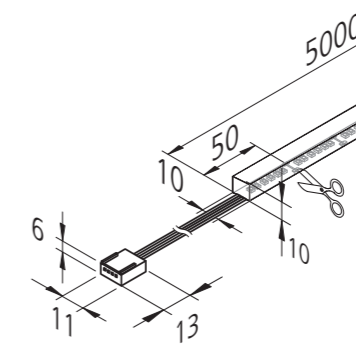


Illustration	Article No.	Description	Features	Weight approx.
	202 029 201 01	LED RGB Tape F 5m 600 LED 65W	<ul style="list-style-type: none"> <li>• incl. supply cable 2,5m with RGB plug</li> <li>• with PU compound (IP 54)</li> </ul>	780 g
	615 000 505 44	24V RGB-Controller radio 75W with 1 channel remote control black	<ul style="list-style-type: none"> <li>• as a necessary accessory</li> <li>• for RGB, dim and switch</li> <li>• with 4-way distributor</li> <li>• further RGB-controllers (e. g. BLE + DALI) page 235</li> </ul>	130 g
	615 000 505 41	24V RGB-Controller radio 75W with surface mounted remote control stainless steel look		105 g
	208 050 030 22	24V RGB-Controller radio 75W without remote control (only as extension)		65 g
	215 420 625 01	RGB connecting cable 2,5m	<ul style="list-style-type: none"> <li>• connection between distributor and luminaire</li> </ul>	40 g
	215 080 607 05	LED RGB 4-way distributor	<ul style="list-style-type: none"> <li>• cable 100mm with RGB plug</li> <li>• for 3 additional supply cables</li> </ul>	16 g
Accessories		LED transformer 24V from page 230 / DALI and BLE controller page 235		



**NEW**

## RGB TAPE FN

LED RGB Tape with homogeneous planar light for milled groove



**Connection:** LED transformer DC 24 V  
**Life:** L90/B10 ≥ 36.000 hours  
**Energy efficiency:** LED: 110 lm/W; luminaire: **221 lm/m** (23 lm/W)

RGB Tape FN		RGB
0,5m	Ø 700	84 lx
1,0m	Ø 1400	21 lx
1,5m	Ø 2100	9 lx
2,0m	Ø 2800	5 lx
2,5m	Ø 3500	3 lx

### Special features:

- max. 5 m per supply cable
- quick and easy installation in a 6,5 mm wide and 11 mm deep milled groove
- tapes can be shortened at 62,5 mm intervals (lateral cutting mark)
- afterwards the tapes can't be reconnected
- minimum bending radius 25 mm
- homogeneous planar light (no visible luminous spots)

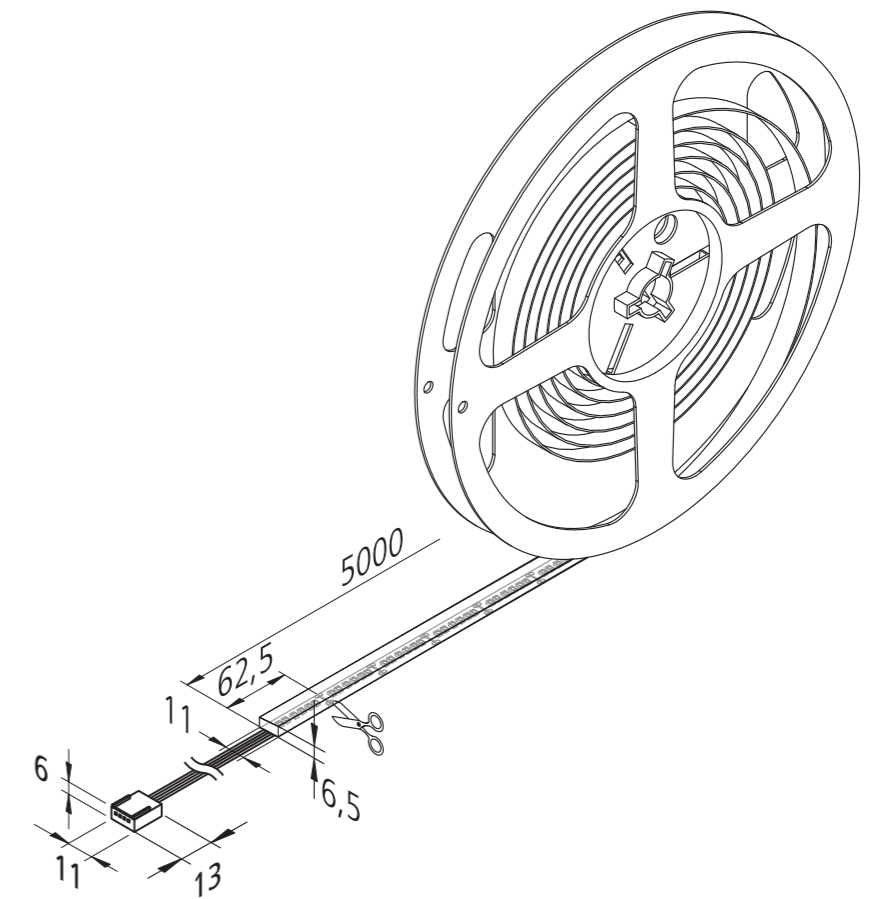
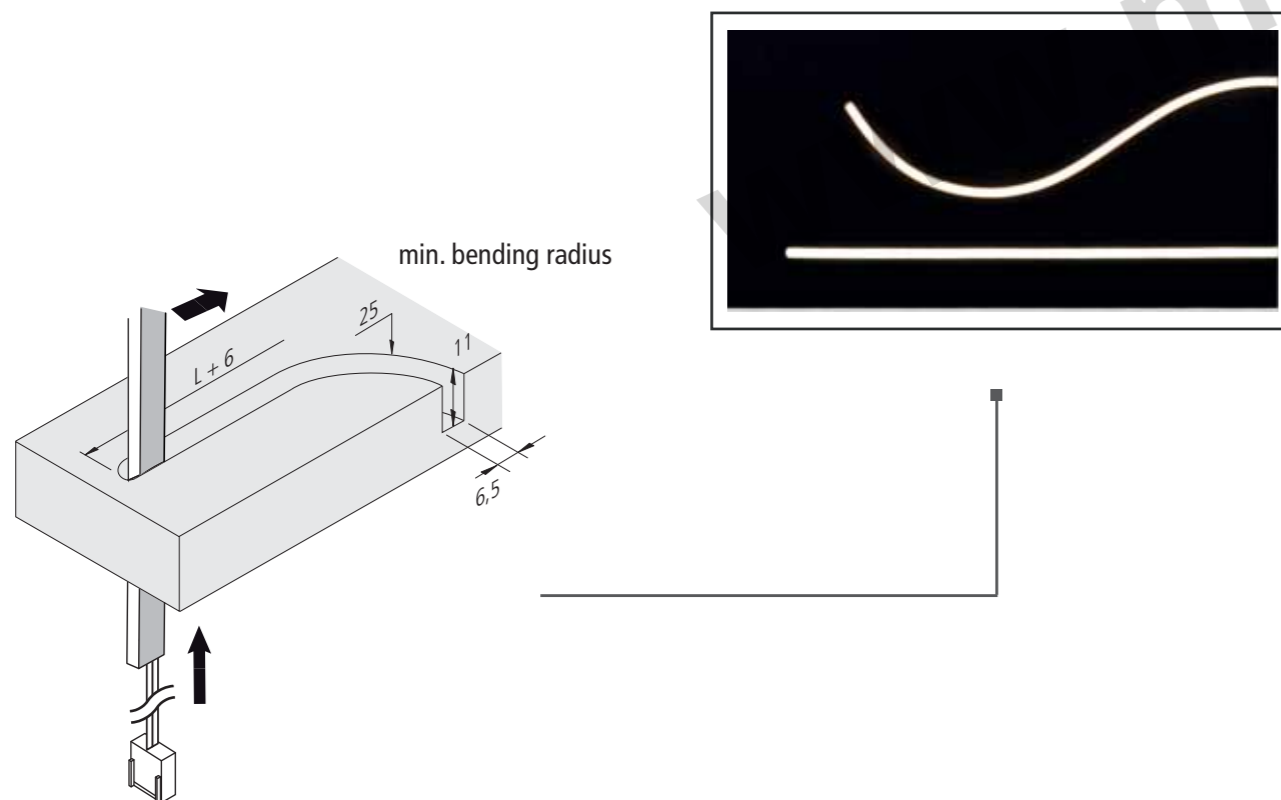


Illustration	Article No.	Description	Features	Weight approx.
	202 033 001 00	LED RGB Tape FN 5m 560 LED 60W	<ul style="list-style-type: none"> <li>• incl. supply cable 2,5m with RGB plug</li> </ul>	460 g
	Accessories	LED transformer 24V from page 230 / DALI and BLE controller page 235		



**NEW**

## DYNAMIC TAPE COB

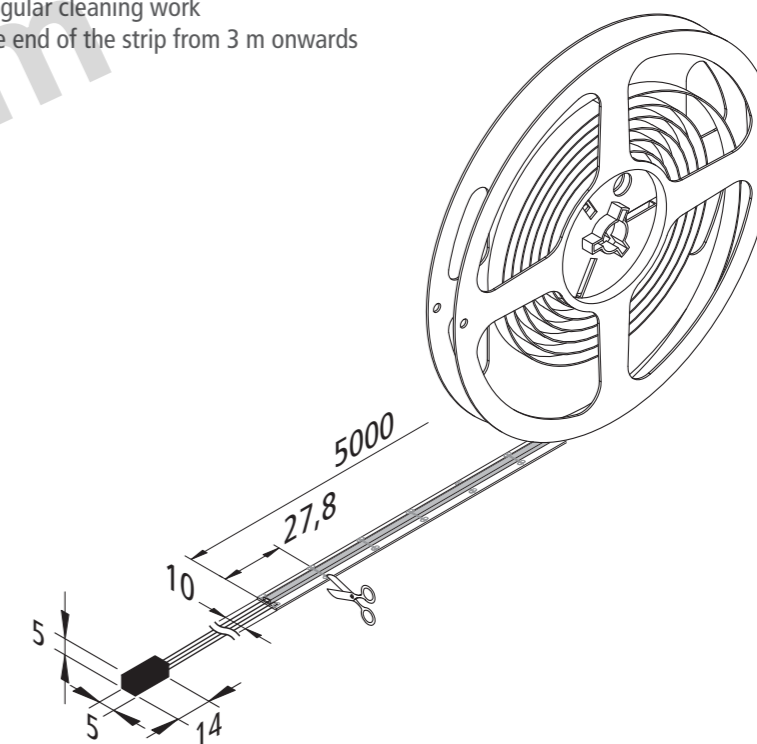
LED strip with adjustable colour appearance w/o visible luminous spots



**Connection:** LED transformer DC 24 V  
**Life:** L70/B10 ≥ 50.000 hours  
**Energy efficiency:** LED: 92 lm/W; luminaire: **1270 lm/m** (85 lm/W)  
**Colour rendering:** Ra/CRI > 90

### Special features:

- max. 5 m per connecting cable
- quick and easy installation with double-sided adhesive tape
- strips can be shortened every 27.78 mm (marking between the LEDs)
- the strips can then only be reconnected by soldering
- light colour can be adjusted between 2700K (xw) and 5000K (cw)
- no electronic components to interfere with regular cleaning work
- differences in brightness may be visible at the end of the strip from 3 m onwards



Configurator p. 89



Illustration	Article No.	Description	Features	Weight approx.
	202 032 910 01	Dynamic Tape COB-10 5m 48W	<ul style="list-style-type: none"> <li>• colour appearance adjustable between appr. 2700K and 5000K</li> <li>• incl. supply cable 2,5m</li> </ul>	180 g
	215 340 625 11	Supply cable Dynamic Tape 2,5m	<ul style="list-style-type: none"> <li>• for soldering</li> </ul>	35 g
	615 000 505 32	24V Dynamic-Controller radio 75W incl. 4 channel remote control black	<ul style="list-style-type: none"> <li>• as essential accessory</li> <li>• to adjust the colour, dim and switch</li> <li>• 12-way distributor</li> <li>• further Dynamic-controllers (e. g. BLE + DALI) page 237</li> </ul>	130 g
	615 000 505 31	24V Dynamic-Controller radio 75W incl. surface mounted remote control stainless steel look		105 g
	615 000 505 34	24V Dynamic-Controller radio 75W incl. recessed remote control stainless steel look		80 g
Accessories		Profiles from page 79 / LED transformers 24V from page 230 / DALI and BLE controller page 237		



# DYNAMIC TAPE F

Self-adhesive flexible LED strips with adjustable colour appearance and homogeneous planar light

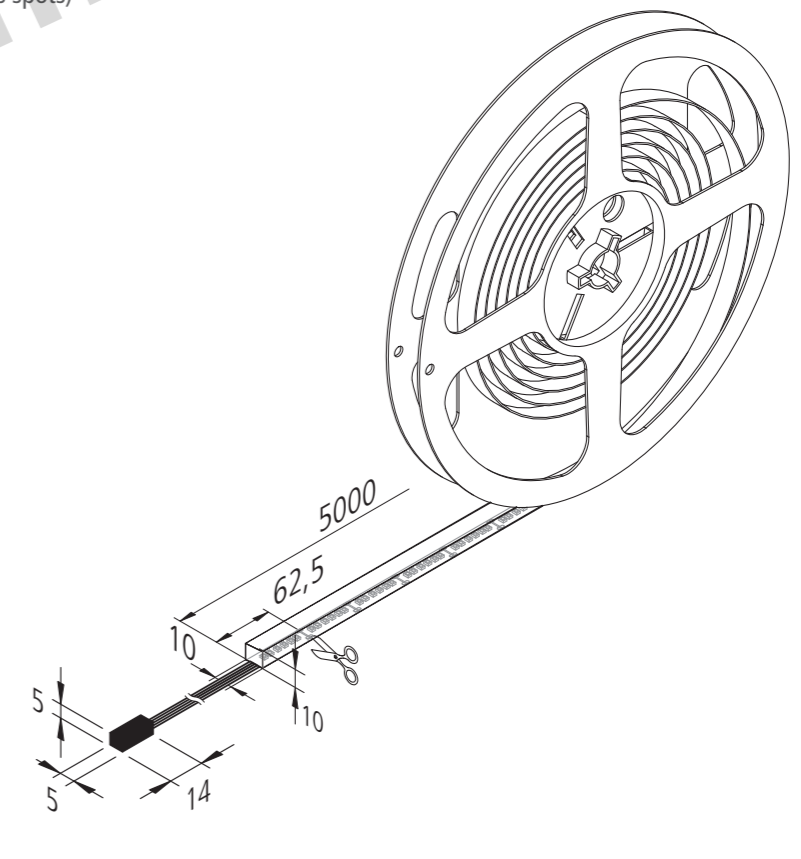


**Connection:** LED transformer DC 24 V  
**Life:** L90/B10 ≥ 50.000 hours  
**Energy efficiency:** LED: 129 lm/W; luminaire: 590 lm/m (74 lm/W)  
**Colour rendering:** Ra/CRI > 90

Dynamic LED Tape F		xw	cw
0,5m	Ø 650	496 lx	548 lx
1,0m	Ø 1300	124 lx	137 lx
1,5m	Ø 1950	55 lx	61 lx
2,0m	Ø 2600	31 lx	34 lx
2,5m	Ø 3250	20 lx	22 lx

### Special features:

- max. 5 m per supply cable
- quick and easy installation due to double-sided adhesive tape
- Tapes can be shortened at 62,5 mm intervals
- afterwards the tapes cannot be reconnected
- minimum bending radius 50 mm; light colour adjustable between 2700K (xw) and 5000K (cw)
- with IP54 suitable for applications requiring higher ingress protection (general humidity, bathroom, kitchen, shops)
- homogenous planar light (no visible luminous spots)



Configurator p. 89



Illustration	Article No.	Description	Features	Weight approx.
	202 029 501 01	Dynamic LED Tape F 5m 2x560 LED 40W	<ul style="list-style-type: none"> <li>• colour appearance adjustable between appr. 2700K and 5000K</li> <li>• incl. supply cable 2,5m</li> <li>• with PU compound (IP 54)</li> </ul>	750 g
	615 000 505 32	24V Dynamic-Controller radio 75W incl. 4 channel remote control black	<ul style="list-style-type: none"> <li>• as essential accessory</li> <li>• to adjust the colour, dim and switch</li> <li>• 12-way distributor</li> <li>• further Dynamic-controllers (e. g. BLE + DALI) page 237</li> </ul>	130 g
	615 000 505 31	24V Dynamic-Controller radio 75W incl. surface mounted remote control stainless steel look		105 g
	615 000 505 34	24V Dynamic-Controller radio 75W incl. recessed remote control stainless steel look		80 g
Accessories		LED transformers 24V from page 79 / DALI and BLE controller page 237		





# DYNAMIC TAPE

Self-adhesive flexible LED strips with adjustable colour appearance

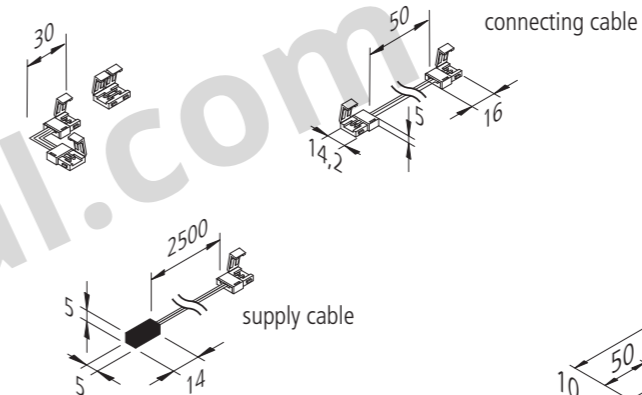


**Connection:** LED transformer DC 24 V  
**Life:** L70/B10 ≥ 50.000 hours  
**Energy efficiency:** LED: 129 lm/W; luminaire: **1470 lm/m** (100 lm/W)  
**Colour rendering:** Ra/CRI > 83

Dynamic LED Tape				
		xw	nw	cw
0,5m	120° Ø 650	2672 lx	2848 lx	3008 lx
1,0m	Ø 1300	668 lx	712 lx	752 lx
1,5m	Ø 1950	297 lx	316 lx	334 lx
2,0m	Ø 2600	167 lx	178 lx	188 lx
2,5m	Ø 3250	107 lx	114 lx	120 lx

## Special features:

- max. 5 m on one supply cable
- quick and easy installation due to double-sided adhesive tape
- tapes can be shortened at 50 mm intervals (marking underneath the adhesive foil)
- colour appearance between 2700K (xw) and 5000K (cw) adjustable



Configurator p. 89

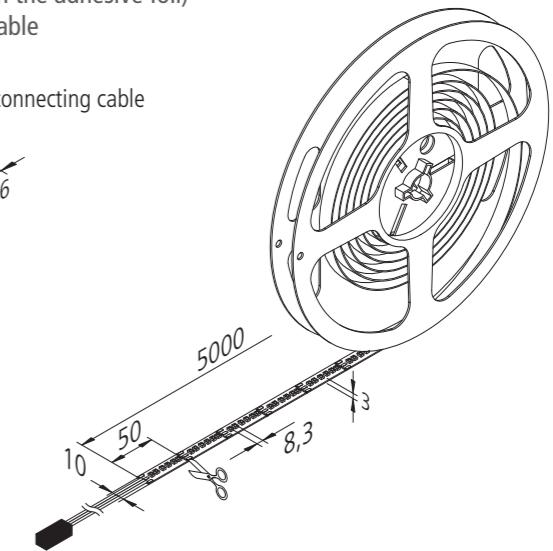


Illustration	Article No.	Description	Features	Weight approx.
	202 026 013 01	Dynamic LED Tape 5m 2x600 LED 72W	<ul style="list-style-type: none"> <li>• colour appearance adjustable between appr. 2700K and 5000K</li> <li>• incl. supply cable 2,5m with Dynamic plug</li> </ul>	120 g
	215 350 125 01	Supply cable Dynamic Tape 2,5m	<ul style="list-style-type: none"> <li>• to snatch with clip</li> </ul>	35 g
	215 350 002 01	Corner clip Dynamic Tape	<ul style="list-style-type: none"> <li>• connection between two sections of the Tape</li> </ul>	1 g
	215 350 001 01	Connecting clip Dynamic Tape		1 g
	215 350 600 01	Connecting cable Dynamic Tape 50mm		2 g
	615 000 505 32	24V Dynamic-Controller radio 75W incl. 4 channel remote control black	<ul style="list-style-type: none"> <li>• as essential accessory</li> <li>• to adjust the colour, dim and switch</li> </ul>	130 g
	615 000 505 31	24V Dynamic-Controller radio 75W incl. surface mounted remote control stainless steel look	<ul style="list-style-type: none"> <li>• 12-way distributor</li> <li>• further Dynamic-controllers (e. g. BLE + DALI) page 237</li> </ul>	105 g
	615 000 505 34	24V Dynamic-Controller radio 75W incl. recessed remote control stainless steel look		80 g
	215 350 610 01	Connecting cable Dynamic 1m	<ul style="list-style-type: none"> <li>• connection between distributor and luminaire</li> </ul>	16 g
	215 350 625 01	Connecting cable Dynamic 2,5m		40 g
	215 080 607 14	Dynamic 4-way distributor	<ul style="list-style-type: none"> <li>• cable 100mm with Dynamic plug</li> <li>• for 3 additional supply cables</li> </ul>	16 g
Accessories		Profiles from page 79 / LED transformers 24V from page 230 / DALI and BLE controller page 237		



# DYNAMIC TAPE S

Self-adhesive flexible LED strips with adjustable colour appearance and silicone compound



**Connection:** LED transformer DC 24 V  
**Life:** L90/B10 ≥ 50.000 hours  
**Energy efficiency:** LED: 130 lm/W; luminaire: **1300 lm/m** (87 lm/W)  
**Colour rendering:** Ra/CRI > 92

Dynamic LED Tape S		xw	cw
0,5m	Ø 650	2100 lx	2300 lx
1,0m	Ø 1300	525 lx	575 lx
1,5m	Ø 1950	233 lx	256 lx
2,0m	Ø 2600	131 lx	144 lx
2,5m	Ø 3250	84 lx	92 lx

### Special features:

- max. 5 m per supply cable
- quick and easy installation due to double-sided adhesive tape
- tapes can be shortened at 50mm intervals (marking between the LEDs)
- colour appearance adjustable between 2700K (xw) and 5000K (cw)
- with IP54 suitable for applications requiring higher ingress protection (general humidity, bathroom, kitchen, shops). The silicone compound assures an additional mechanical protection e.g. for regular cleaning works.

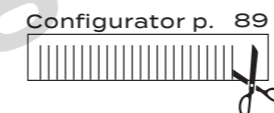
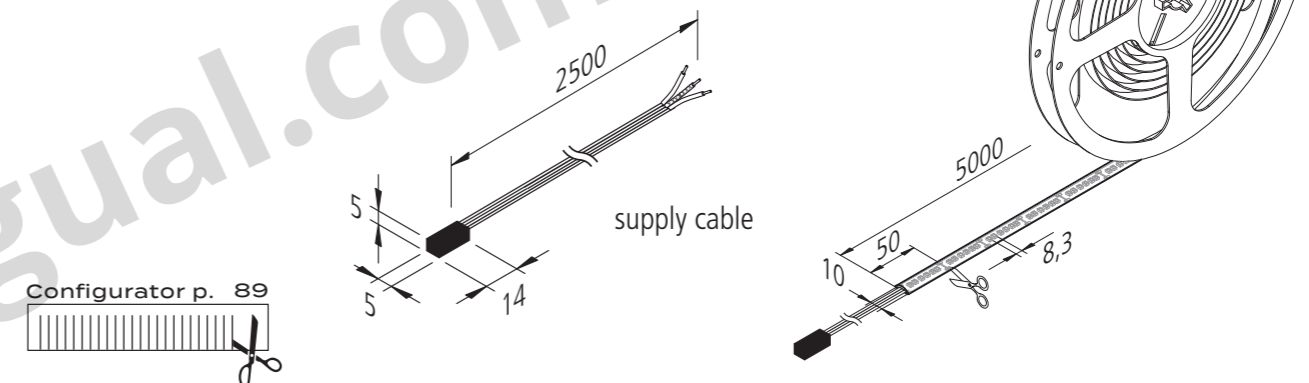


Illustration	Article No.	Description	Features	Weight approx.
	202 029 013 01	Dynamic LED Tape S 5m 2x600 LED 75W	<ul style="list-style-type: none"> <li>• colour appearance adjustable between approx. 2700K and 5000K</li> <li>• incl. supply cable 2,5m</li> <li>• with silicone compound (IP 54)</li> </ul>	260 g
	215 340 625 11	Supply cable Dynamic Tape 2,5m	<ul style="list-style-type: none"> <li>• for soldering</li> </ul>	35 g
	615 000 505 32	24V Dynamic-Controller radio 75W incl. 4 channel remote control black	<ul style="list-style-type: none"> <li>• as essential accessory</li> <li>• to adjust the colour, dim and switch</li> <li>• 12-way distributor</li> <li>• further Dynamic-controllers (e. g. BLE + DALI) page 237</li> </ul>	130 g
	615 000 505 31	24V Dynamic-Controller radio 75W incl. surface mounted remote control stainless steel look		105 g
	615 000 505 34	24V Dynamic-Controller radio 75W incl. recessed remote control stainless steel look		80 g
	215 350 610 01	Connecting cable Dynamic 1m	<ul style="list-style-type: none"> <li>• connection between distributor and luminaire</li> </ul>	16 g
	215 350 625 01	Connecting cable Dynamic 2,5m		40 g
	215 080 607 14	Dynamic 4-way distributor	<ul style="list-style-type: none"> <li>• cable 100mm with Dynamic plug</li> <li>• for 3 additional supply cables</li> </ul>	16 g
	610 595 101 02	Set of 1 Dynamic LED Tape S 1000mm 16,8W + transformer 30W	<ul style="list-style-type: none"> <li>• colour appearance adjustable between approx. 2700K and 5000K</li> <li>• incl. supply cable 2,5m</li> <li>• with silicone compound (IP 54)</li> </ul>	405 g
	610 595 101 07	Set of 1 Dynamic LED Tape S 3000mm 47,8W + transformer 60W		530 g
Accessories		Profiles from page 79 / LED transformers 24V from page 230 / DALI and BLE controller page 237		



# DIM-2-WARM TAPE

Colour appearance gets warmer while dimming

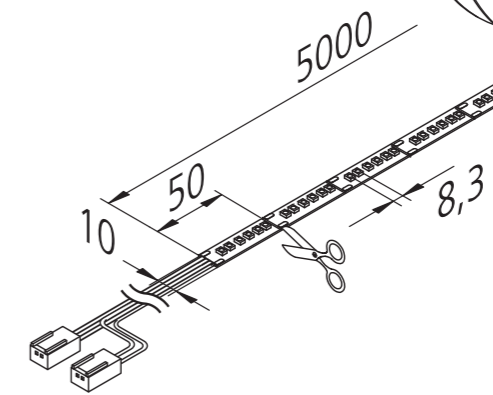
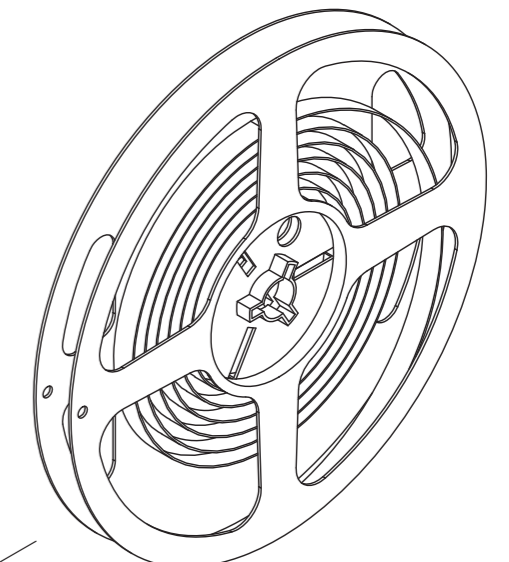


**Connection:** LED transformer DC 24 V  
**Life:** L70/B10 ≥ 54.000 hours  
**Energy efficiency:** LED: 92 lm/W; luminaire: **1170 lm/m** (78 lm/W)  
**Colour rendering:** Ra/CRI > 90

Dim-2-Warm Tape		
		ww
0,5m	Ø 650	1600 lx
1,0m	Ø 1300	400 lx
1,5m	Ø 1950	178 lx
2,0m	Ø 2600	100 lx
2,5m	Ø 3250	64 lx

### Special features:

- max. 5 m per supply cable
- quick and easy installation due to double-sided adhesive tape
- tapes can be shortened at 50 mm intervals (marking between the LEDs)
- colour appearance ww (warm white) approx. 3000K is getting warmer (up to 2000K) while dimming (with all available dim-controllers)



Configurator p. 89



Illustration	Article No.	Description	Features	Weight approx.
	202 030 910 01	Dim-2-Warm Tape 5m 2x600 LED 75W	<ul style="list-style-type: none"> <li>• colour appearance ww (warm white) approx. 3000K is getting warmer (up to 2000K) while dimming (with all available dim-controllers)</li> <li>• incl. supply cable 2,5m with 2x LED 24 plug</li> </ul>	150 g
	Accessories	LED transformers 24V from page 230 / dim-controllers page 238		



Photo: Shutterstock

**NEW**

**TAPE Z**

Self-adhesive, flexible zigzag LED strips

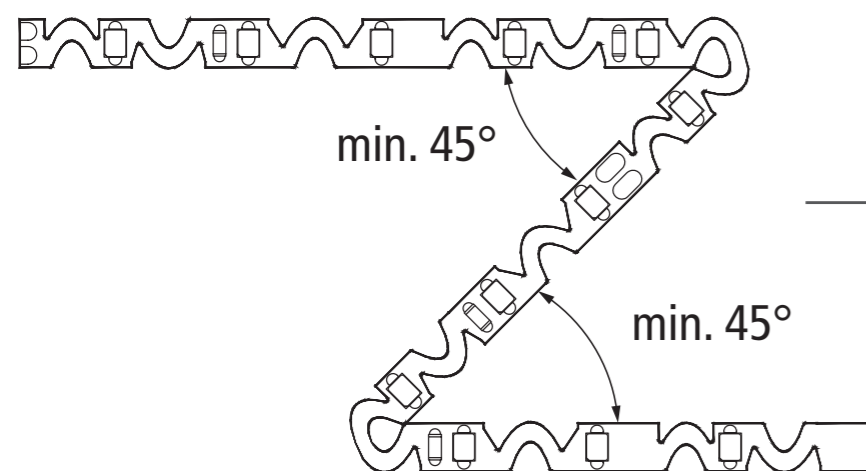
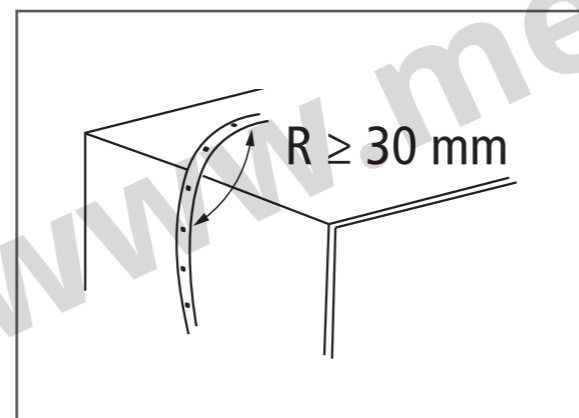
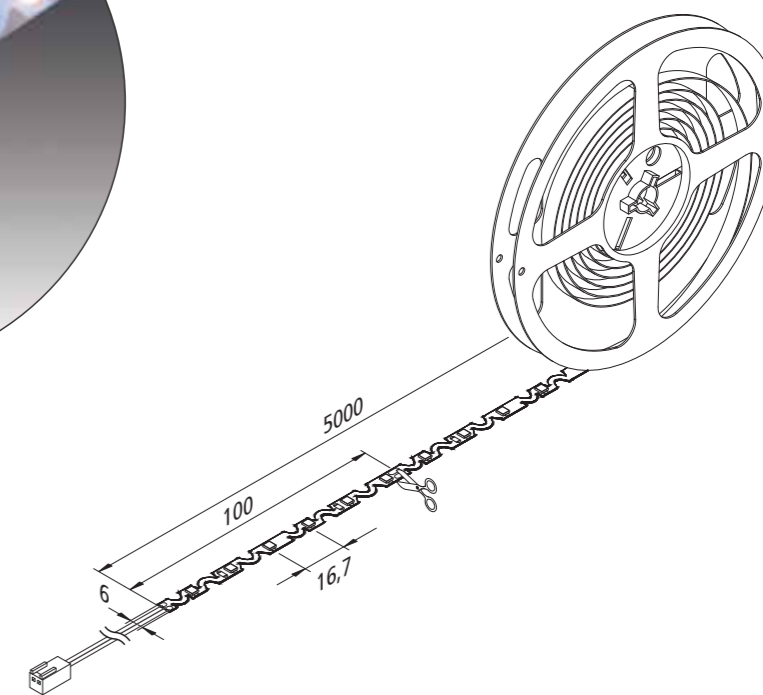
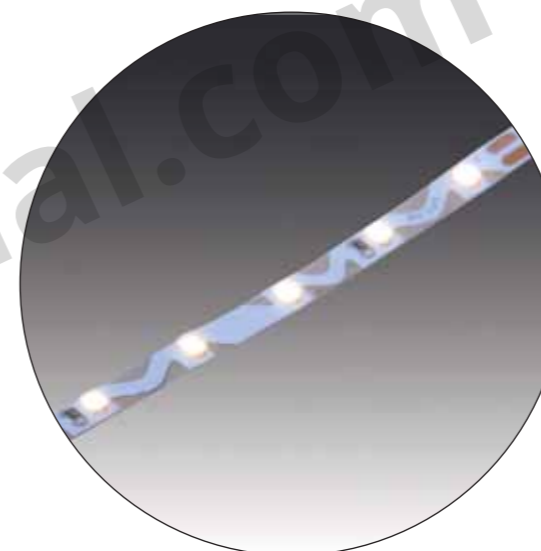


**Connection:** LED transformer DC 24 V  
**Life:** L70/B10 ≥ 58.000 hours  
**Energy efficiency:** LED: 105 lm/W; luminaire: **672 lm/m** (84 lm/W)  
**Colour rendering:** Ra/CRI > 90

LED Tape Z				
		xw	ww	nw
0,5m	Ø 565	640 lx	764 lx	808 lx
1,0m	Ø 1130	160 lx	191 lx	202 lx
1,5m	Ø 1695	71 lx	85 lx	90 lx
2,0m	Ø 2260	40 lx	48 lx	51 lx
2,5m	Ø 2825	26 lx	31 lx	32 lx

**Special features:**

- max. 5 m on one supply cable
- quick and easy installation due to double-sided adhesive tape
- tapes can be shortened at 100 mm intervals (according to the marks between the LEDs)
- the strips can then only be contacted again by soldering
- differences in brightness might be visible from 3 m at the end of the light strip



Configurator p. 89



Illustration	Article No.	Description	Features	Weight approx.
	202 033 601 04	Tape Z 5m 300 LED 30W xw	<ul style="list-style-type: none"> <li>• colour appearance xw (extra warm white) approx. 2700K or ww (warm white) approx. 3000K or nw (neutral white) approx. 4000K</li> <li>• with supply cable 2,5m with LED 24-plug</li> </ul>	110 g
	202 033 601 02	Tape Z 5m 300 LED 30W ww		110 g
	202 033 601 03	Tape Z 5m 300 LED 30W nw		110 g
	215 300 725 01	Supply cable 2,5m for soldering (max. 60W)	<ul style="list-style-type: none"> <li>• with tinned ends for soldering</li> <li>• max. 60W</li> </ul>	23 g
Accessories		LED transformers 24V from page 230 / dim-controllers page 238		

Introduction

Power supply track system

Linear luminaires

Recessed and surface mounted luminaires

Showcase and over cabinet luminaires

Under cabinet luminaires

Accessories

Appendix

55



# TAPE COB-4

Self-adhesive, flexible LED strips without visible luminous spots

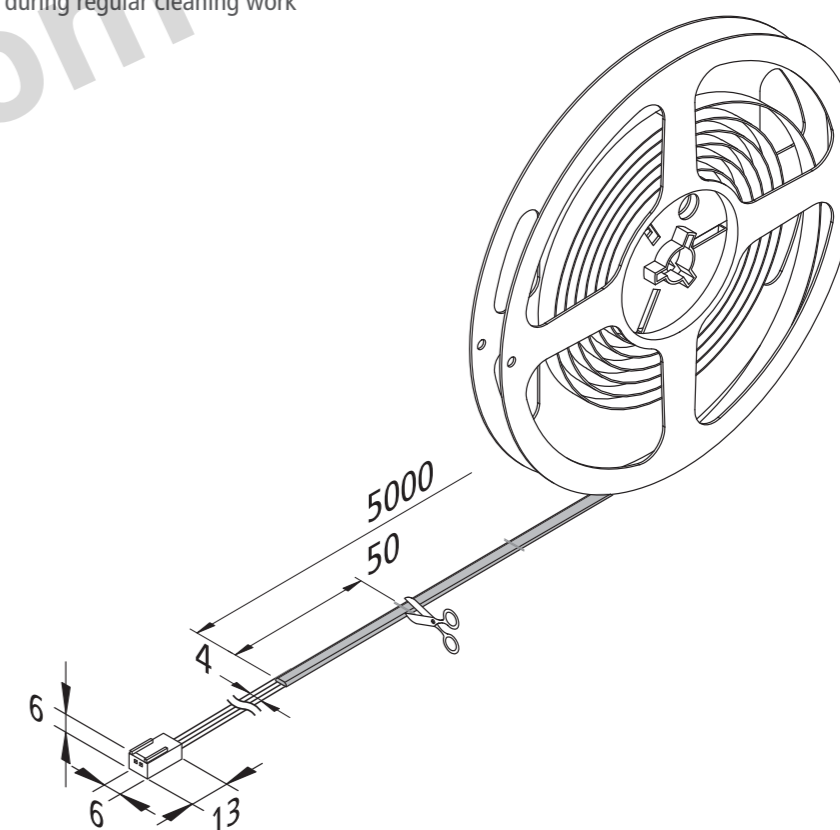


**Connection:** LED transformer DC 24 V  
**Life:** L70/B10 ≥ 33.000 hours  
**Energy efficiency:** LED: 120 lm/W; luminaire: **500 lm/m** (100 lm/W)  
**Colour rendering:** Ra/CRI > 90

LED Tape COB-4				
		xw	ww	nw
0,5m	Ø 690	436 lx	480 lx	536 lx
1,0m	Ø 1380	109 lx	120 lx	134 lx
1,5m	Ø 2070	48 lx	53 lx	60 lx
2,0m	Ø 2760	27 lx	30 lx	34 lx
2,5m	Ø 3450	17 lx	19 lx	21 lx

### Special features:

- max. 5 m per supply cable
- quick and easy installation due to double-sided adhesive tape
- tapes can be shortened at 50 mm intervals (very fine black dot above and below the yellow silicone strip / for better orientation: the 5m roll consists of 10 sections of 500 mm each)
- the tapes only can be reconnected by soldering
- no interfering electronic components during regular cleaning work



Configurator p. 89



Illustration	Article No.	Description	Features	Weight approx.
	202 032 101 04	LED Tape COB-4 5m 25W xw	<ul style="list-style-type: none"> <li>• Colour appearance xw (extra warm white) approx. 2700K or ww (warm white) approx. 3000K or nw (neutral white) approx. 4000K</li> <li>• incl. supply cable 2,5m with LED 24 plug</li> </ul>	105 g
	202 032 101 02	LED Tape COB-4 5m 25W ww		105 g
	202 032 101 03	LED Tape COB-4 5m 25W nw		105 g
	215 300 725 01	Supply cable 2,5m for soldering (max. 60W)	<ul style="list-style-type: none"> <li>• with tinned ends for soldering</li> <li>• max. 60W</li> </ul>	23 g



# TAPE COB-10

Self-adhesive, flexible LED strips without visible luminous spots

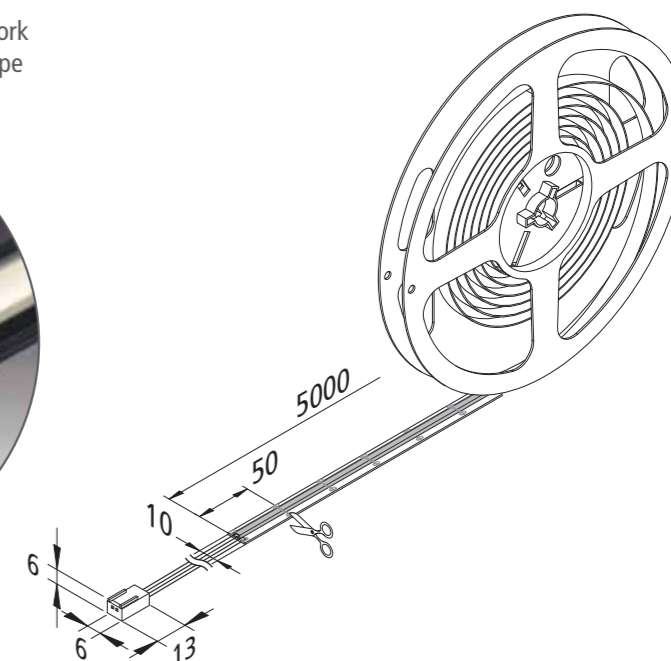
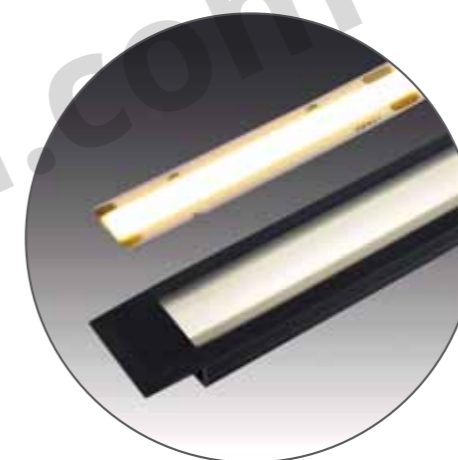


**Connection:** LED transformer DC 24 V  
**Life:** L70/B10 ≥ 40.000 hours  
**Energy efficiency:** LED: 110 lm/W; luminaire: **1300 lm/m** (92 lm/W)  
**Colour rendering:** Ra/CRI > 90

Tape COB-10				
		xw	ww	nw
0,5m	Ø 670	1284 lx	1520 lx	1488 lx
1,0m	Ø 1340	321 lx	380 lx	372 lx
1,5m	Ø 2010	143 lx	169 lx	165 lx
2,0m	Ø 2680	80 lx	95 lx	93 lx
2,5m	Ø 3350	51 lx	61 lx	60 lx

### Special features:

- max. 6 m per supply cable
- quick and easy installation due to double-sided adhesive tape
- tapes can be shortened at 50 mm intervals (marks between the LEDs)
- afterwards the tapes can be reconnected only by soldering
- no interfering electronic components during regular cleaning work
- differences in brightness might be visible at the end of a 4 m tape



Configurator p. 89



Illustration	Article No.	Description	Features	Weight approx.
	202 031 201 04	LED Tape COB-10 5m 48W xw	<ul style="list-style-type: none"> <li>• colour appearance xw (extra warm white) approx. 2700K or ww (warm white) approx. 3000K or nw (neutral white) approx. 4000K</li> <li>• incl. supply cable 2,5m with LED 24 plug</li> </ul>	175 g
	202 031 201 02	LED Tape COB-10 5m 48W ww		175 g
	202 031 201 03	LED Tape COB-10 5m 48W nw		175 g
	215 300 725 01	Supply cable 2,5m for soldering (max. 60W)	<ul style="list-style-type: none"> <li>• with tinned ends for soldering</li> <li>• max. 60W</li> </ul>	23 g
	215 283 101 01	Supply cable 10mm Tape 1000mm max. 60W <b>NEW</b>	<ul style="list-style-type: none"> <li>• connection between transformer and 10mm Tape</li> </ul>	14 g
	215 283 101 02	Supply cable 10mm Tape 2500mm max. 60W <b>NEW</b>		30 g
	215 283 100 01	Connecting clip 10mm Tape max. 60W <b>NEW</b>	<ul style="list-style-type: none"> <li>• connection between two sections of the 10mm Tape</li> </ul>	1 g
	215 283 102 01	Connecting cable 10mm Tape 50mm max. 60W <b>NEW</b>		2 g
	215 283 102 02	Connecting cable 10mm Tape 200mm max. 60W <b>NEW</b>		4 g
	215 283 102 03	Connecting cable 10mm Tape 2500mm max. 60W <b>NEW</b>		30 g
Accessories	LED transformers 24V from page 230 / dim-controllers page 238			



# TAPE L

Self-adhesive, flexible LED strips with lens on a roll

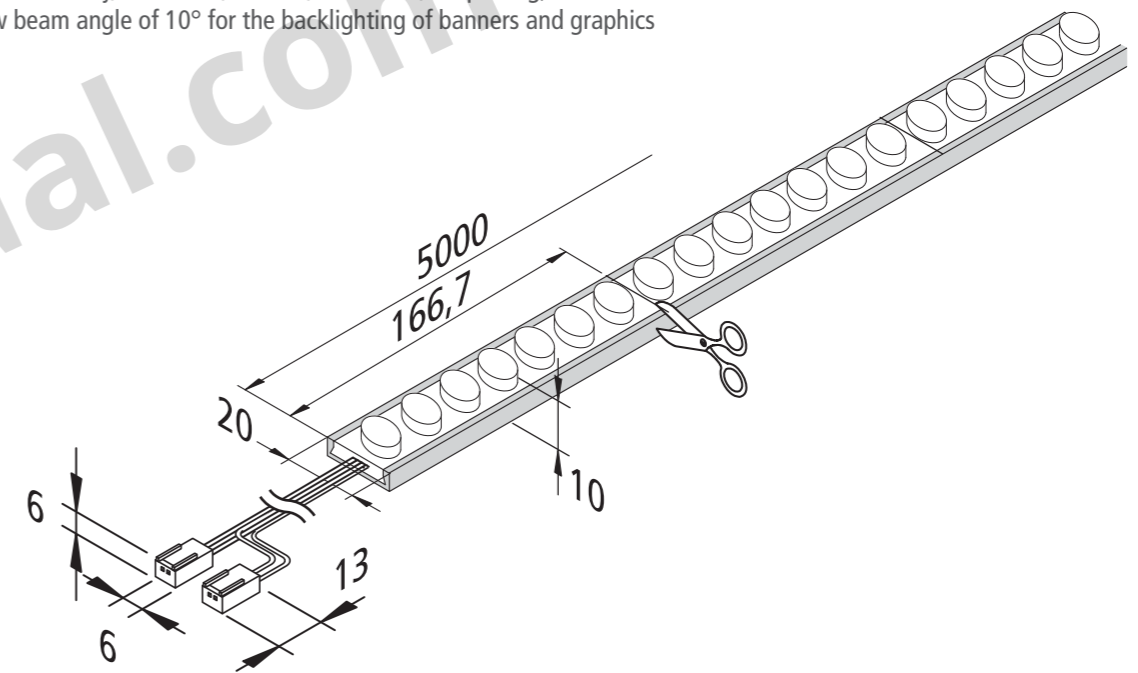


**Connection:** LED transformer DC 24 V  
**Life:** L70/B10 ≥ 36.000 hours  
**Energy efficiency:** LED: 130 lm/W; luminaire: **1300 lm/m** (80 lm/W)  
**Colour rendering:** Ra/CRI > 90

LED Tape L		
		nw
0,5m	Ø 100	4840 lx
1,0m	Ø 200	1210 lx
1,5m	Ø 300	538 lx
2,0m	Ø 400	303 lx
2,5m	Ø 500	194 lx

### Special features:

- max. 5 m on one supply cable
- quick and easy installation due to double-sided adhesive tape
- tapes can be shortened at 167 mm intervals
- afterwards the tapes can't be reconnected
- minimum bending radius 150 mm
- with IP54 suitable for applications requiring higher ingress protection (general humidity, bathroom, kitchen, fresh area, shopfitting)
- narrow beam angle of 10° for the backlighting of banners and graphics



Configurator p. 89

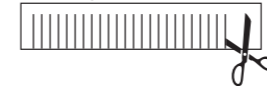


Illustration	Article No.	Description	Features	Weight approx.
	202 032 001 03	LED Tape L 10° 5m 210 LED 80W nw	<ul style="list-style-type: none"> <li>• incl. supply cable 2,5m with LED 24 plug</li> <li>• colour appearance nw (neutral white) approx. 4000K</li> <li>• with silicone compound (IP 54)</li> </ul>	850 g
	202 040 103 60	Mounting clip Tape L, set of 5	<ul style="list-style-type: none"> <li>• with screws</li> </ul>	14 g
	215 300 725 01	Supply cable 2,5m for soldering (max. 60W)	<ul style="list-style-type: none"> <li>• with tinned ends for soldering</li> <li>• max. 60W</li> </ul>	23 g
	Accessories	LED transformers 24V from page 230 / dim-controllers page 238		



# TAPE F

Self-adhesive flexible LED strips with homogeneous planar light

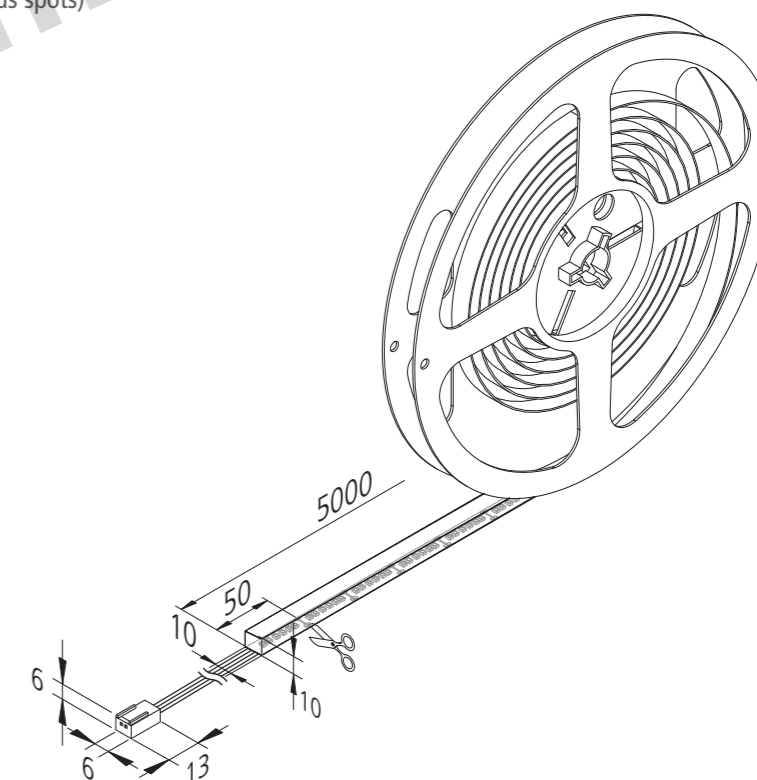


**Connection:** LED transformer DC 24 V  
**Life:** L70/B10 ≥ 40.000 hours  
**Energy efficiency:** LED: 110 lm/W; luminaire: **870 lm/m** (82 lm/W)  
**Colour rendering:** Ra/CRI > 85

LED Tape F				
		xw	ww	nw
0,5m	Ø 650	540 lx	580 lx	644 lx
1,0m	Ø 1300	135 lx	145 lx	161 lx
1,5m	Ø 1950	60 lx	64 lx	72 lx
2,0m	Ø 2600	34 lx	36 lx	40 lx
2,5m	Ø 3250	22 lx	23 lx	26 lx

### Special features:

- max. 5 m per supply cable
- quick and easy installation due to double-sided adhesive tape
- tapes can be shortened at 50 mm intervals
- afterwards the tapes can't be reconnected
- minimum bending radius 50 mm
- with IP54 suitable for applications requiring higher ingress protection (general humidity, bathroom, kitchen, shops)
- homogeneous planar light (no visible luminous spots)



Configurator p. 89



Illustration	Article No.	Description	Features	Weight approx.
	202 027 401 04	LED Tape F 5m 700 LED 40W xw	<ul style="list-style-type: none"> <li>• colour appearance xw (extra warm white) approx. 2700K or ww (warm white) approx. 3000K or nw (neutral white) approx. 4000K</li> <li>• supply cable 2,5m with LED 24 plug</li> <li>• with PU compound (IP 54)</li> </ul>	780 g
	202 027 401 02	LED Tape F 5m 700 LED 40W ww		780 g
	202 027 401 03	LED Tape F 5m 700 LED 40W nw		780 g
	610 596 101 14	Set of 1 LED Tape F 1000mm 9,0W xw + transformer 15W	<ul style="list-style-type: none"> <li>• colour appearance xw (extra warm white) approx. 2700K or ww (warm white) approx. 3000K or nw (neutral white) approx. 4000K</li> <li>• supply cable 2,5m with LED 24 plug</li> <li>• with PU compound (IP 54)</li> </ul>	362 g
	610 596 101 64	Set of 1 LED Tape F 3000mm 25,9W xw + transformer 30W		865 g
	610 596 101 12	Set of 1 LED Tape F 1000mm 9,0W ww + transformer 15W		362 g
	610 596 101 62	Set of 1 LED Tape F 3000mm 25,9W ww + transformer 30W		865 g
	610 596 101 13	Set of 1 LED Tape F 1000mm 9,0W nw + transformer 15W		362 g
	610 596 101 63	Set of 1 LED Tape F 3000mm 25,9W nw + transformer 30W		865 g
Accessories	LED transformers 24V from page 230 / dim-controllers page 238			



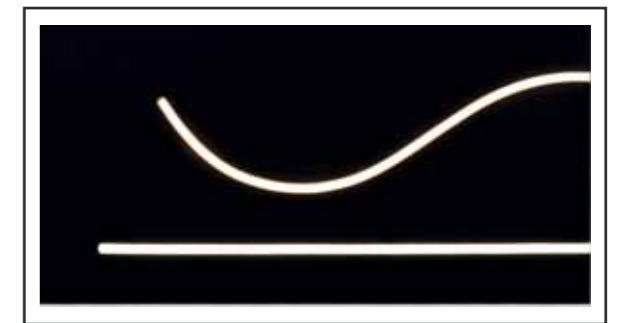
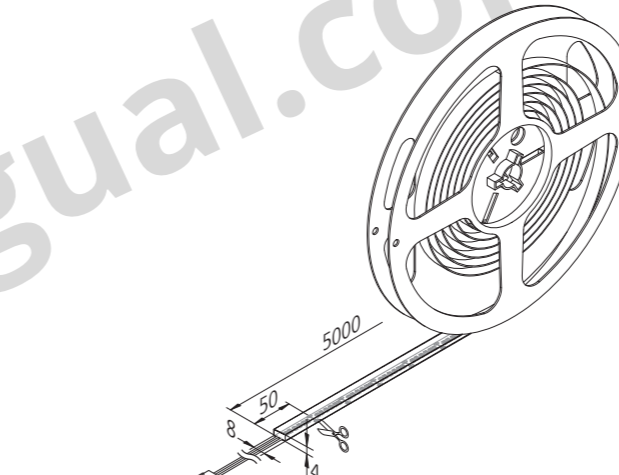


**Connection:** LED transformer DC 24 V  
**Life:** L70/B10 ≥ 54.000 (FN-3: 36.000) hours  
**Energy efficiency:** LED: 110 (FN-3: 120) lm/W; luminaire: **221 (FN-3: 225) lm/m** (23 (FN-3: 31) lm/W)  
**Colour rendering:** Ra/CRI > 90

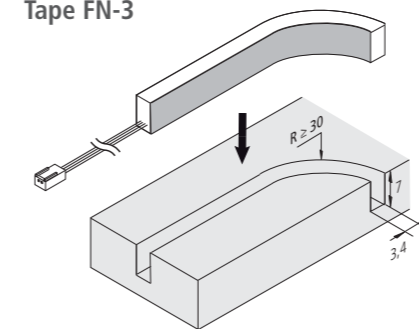
**Special features:**

- max. 5 m per supply cable
- quick and easy installation in a 4 mm wide and 8 mm deep milled groove
- tapes can be shortened at 50 mm (FN-3: 35,7 mm) intervals (lateral cutting mark)
- afterwards the tapes can't be reconnected
- minimum bending radius 25 mm (FN-3: 30 mm)
- homogeneous planar light (no visible luminous spots)

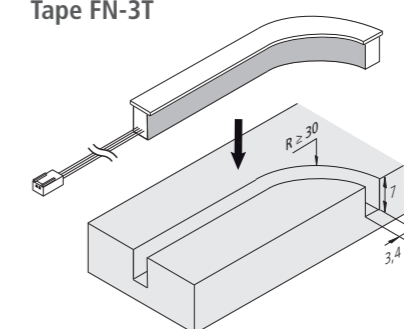
Tape FN-3 / FN-3T			Tape FN		
	ww/nw		ww	nw	
0,5m		112°	Ø 600	320 lx	
1,0m			Ø 1200	80 lx	120°
1,5m			Ø 1800	36 lx	
2,0m			Ø 2400	20 lx	
2,5m			Ø 3000	13 lx	
0,5m			Ø 650	276 lx	292 lx
1,0m			Ø 1300	69 lx	73 lx
1,5m			Ø 1950	31 lx	32 lx
2,0m			Ø 2600	17 lx	18 lx
2,5m			Ø 3250	11 lx	12 lx



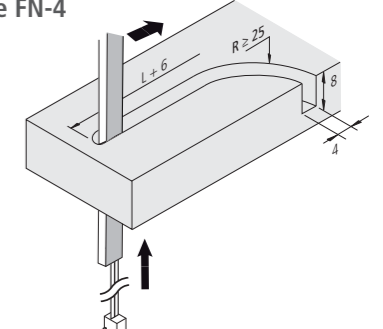
Tape FN-3



Tape FN-3T



Tape FN-4



Configurator p. 89

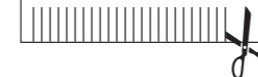


Illustration	Article No.	Description	Features	Weight approx.
	610 026 710 02	Tape FN-3 5m 980 LED 32W ww	<b>NEW</b> • colour appearance ww (warm white) approx. 3000K or nw (neutral white) approx. 4000K	265 g
	610 026 710 03	Tape FN-3 5m 980 LED 32W nw	<b>NEW</b> • incl. supply cable 2,5m with LED 24 plug	265 g
	610 026 720 02	Tape FN-3T 5m 980 LED 32W ww	<b>NEW</b>	265 g
	610 026 720 03	Tape FN-3T 5m 980 LED 32W nw	<b>NEW</b>	265 g
	202 030 501 02	Tape FN-4 5m 700 LED 48W ww		265 g
	202 030 501 03	Tape FN-4 5m 700 LED 48W nw		265 g
Accessories	LED transformers 24V from page 230 / dim-controllers page 238			



# PREMIUM-TAPE

Self-adhesive flexible LED strips on roll



Premium-Tape		20W	40W	80W
0,5m	Ø 650	652 lx	1228 lx	2396 lx
1,0m	Ø 1300	163 lx	307 lx	599 lx
1,5m	Ø 1950	72 lx	136 lx	266 lx
2,0m	Ø 2600	41 lx	77 lx	150 lx
2,5m	Ø 3250	26 lx	49 lx	96 lx

**Connection:** LED transformer DC 24 V  
**Life:** L70/B10 ≥ 50.000 hours  
**Energy efficiency:** LED: 85 lm/W; luminaire: 332 / 664 / 1328 lm/m (83 lm/W)  
**Colour rendering:** Ra/CRI > 98

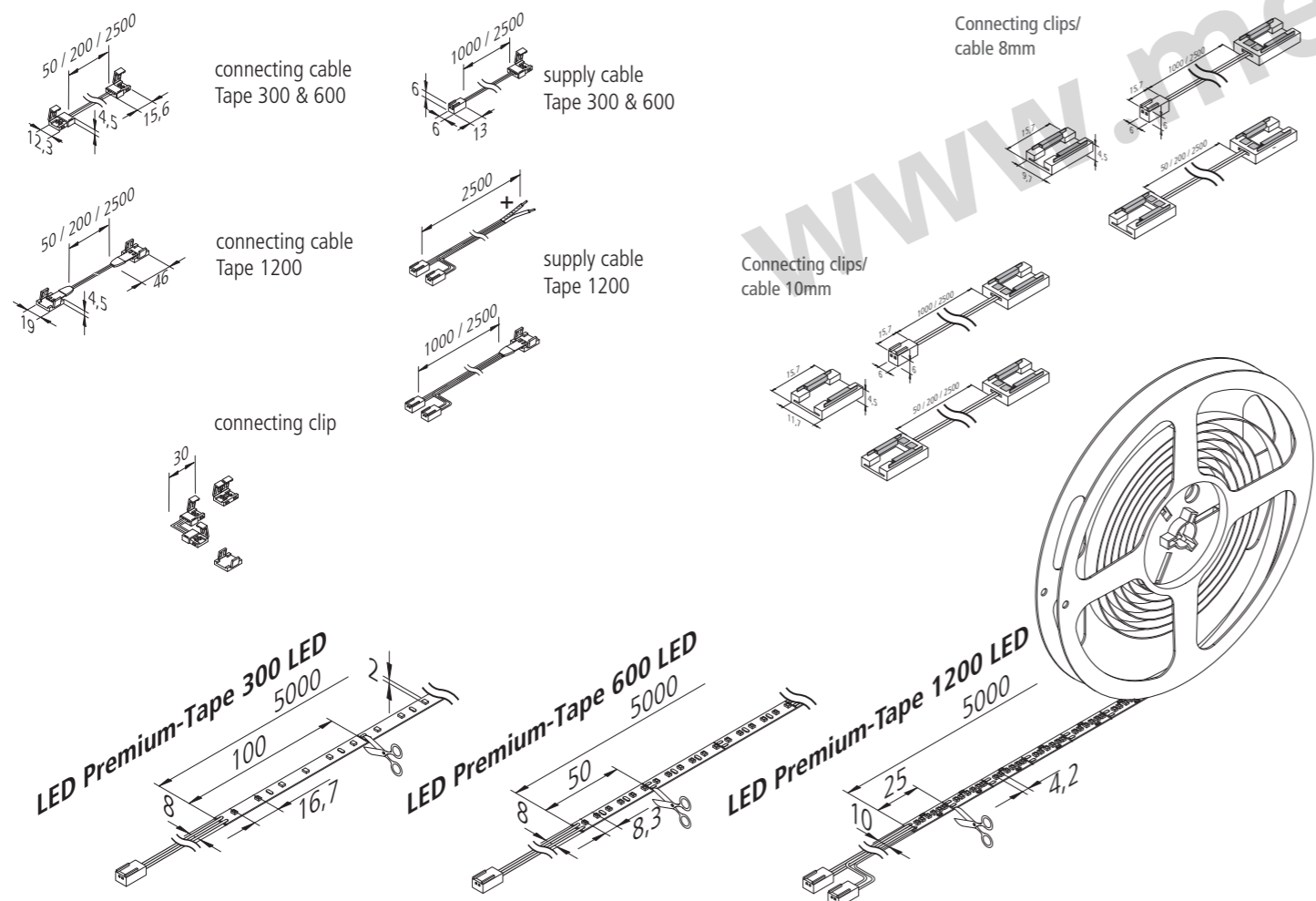
### Special features:

- max. 10 / 6 / 5 m (version 20 / 40 / 80 W) on one supply cable, quick and easy installation due to double-sided adhesive tape
- tapes can be shortened at 100 / 50 / 25 mm (version 300 / 600 / 1200 LED) intervals according to the marks
- afterwards the tapes can be reconnected without soldering (tape 1200 80 W up to 3 m max.) with the connecting clips or cables

Configurator p. 89



Illustration	Article No.	Description	Features	Weight approx.
	202 024 501 02	LED Premium-Tape 5m 300 LED 20W ww	• colour appearance ww (warm white) approx. 3000K or nw (neutral white) approx. 4000K • with supply cable 2,5m • without silicone compound	80 g
	202 024 501 03	LED Premium-Tape 5m 300 LED 20W nw		80 g
	202 024 502 02	LED Premium-Tape 5m 600 LED 40W ww		80 g
	202 024 502 03	LED Premium-Tape 5m 600 LED 40W nw		80 g
	202 024 503 02	LED Premium-Tape 5m 1200 LED 80W ww	• incl. supply cable 2,5m • connecting clip and cable with clip up to 3m max.	120 g
	202 024 503 03	LED Premium-Tape 5m 1200 LED 80W nw		120 g
	215 280 410 01	Supply cable LED Tape 1000mm	• connection between transformer and LED Tape 300 or 600	9 g
	215 280 425 01	Supply cable LED Tape 2500mm		23 g
	215 283 081 01	Supply cable 8mm Tape 1000mm max. 60W	• connection between transformer and 8mm Tape	14 g
	215 283 081 02	Supply cable 8mm Tape 2500mm max. 60W		30 g
	215 282 410 01	Supply cable LED Tape 1200 1000mm	• connection between transformer and LED Tape 1200 (20 / 80 / 120W max. 10 / 3 / 1,5m LED Tape)	20 g
	215 282 425 01	Supply cable LED Tape 1200 2500mm		40 g
	215 281 125 01	Supply cable LED Tape 1200 2500mm	• with tinned ends for soldering to Tape 1200	40 g
	215 283 101 01	Supply cable 10mm Tape 1000mm max. 60W	• connection between transformer and 10mm Tape	14 g
	215 283 101 02	Supply cable 10mm Tape 2500mm max. 60W		30 g
	215 280 001 01	Corner clip LED Tape	• connection between two sections of the LED Tape 300 or 600	1 g
	215 280 000 01	Connecting clip LED Tape		1 g
	215 280 603 01	Connecting cable LED Tape 50mm		3 g
	215 280 602 01	Connecting cable LED Tape 200mm		6 g
	215 280 625 01	Connecting cable LED Tape 2500mm	40 g	
	215 283 080 01	Connecting clip 8mm Tape max. 60W	• connection between two sections of the 8mm Tape	1 g
	215 283 082 01	Connecting cable 8mm Tape 50mm max. 60W		2 g
	215 283 082 02	Connecting cable 8mm Tape 200mm max. 60W		4 g
	215 283 082 03	Connecting cable 8mm Tape 2500mm max. 60W		30 g
	215 282 000 01	Connecting clip LED Tape 1200	• connection between two sections of the LED Tape 1200 (20 / 80 / 120W max. 10 / 3 / 1,5m LED Tape)	1 g
	215 282 600 01	Connecting cable LED Tape 1200 50mm		3 g
	215 282 602 01	Connecting cable LED Tape 1200 200mm		6 g
	215 282 625 01	Connecting cable LED Tape 1200 2500mm		40 g
	215 283 100 01	Connecting clip 10mm Tape max. 60W	• connection between two sections of the 10mm Tape	1 g
	215 283 102 01	Connecting cable 10mm Tape 50mm max. 60W		2 g
	215 283 102 02	Connecting cable 10mm Tape 200mm max. 60W		4 g
	215 283 102 03	Connecting cable 10mm Tape 2500mm max. 60W		30 g
	Accessories	Profiles from page 79 / LED transformers 24V from page 230 / dim-controllers page 238		



Introduction  
 Power supply track system  
 Linear luminaires  
 Recessed and surface mounted luminaires  
 Showcase and over cabinet luminaires  
 Under cabinet luminaires  
 Accessories  
 Appendix



# BASIC-TAPE 2

Self-adhesive flexible LED strips on rolls



**Connection:** LED transformer DC 24 V  
**Life:** L70/B10 ≥ 50.000 hours  
**Energy efficiency:** LED: 120 lm/W  
 luminaire: **412 / 824 / 1650 / 2472 lm/m** (103 lm/W)  
**Colour rendering:** Ra/CRI > 95 (P/M: > 90)

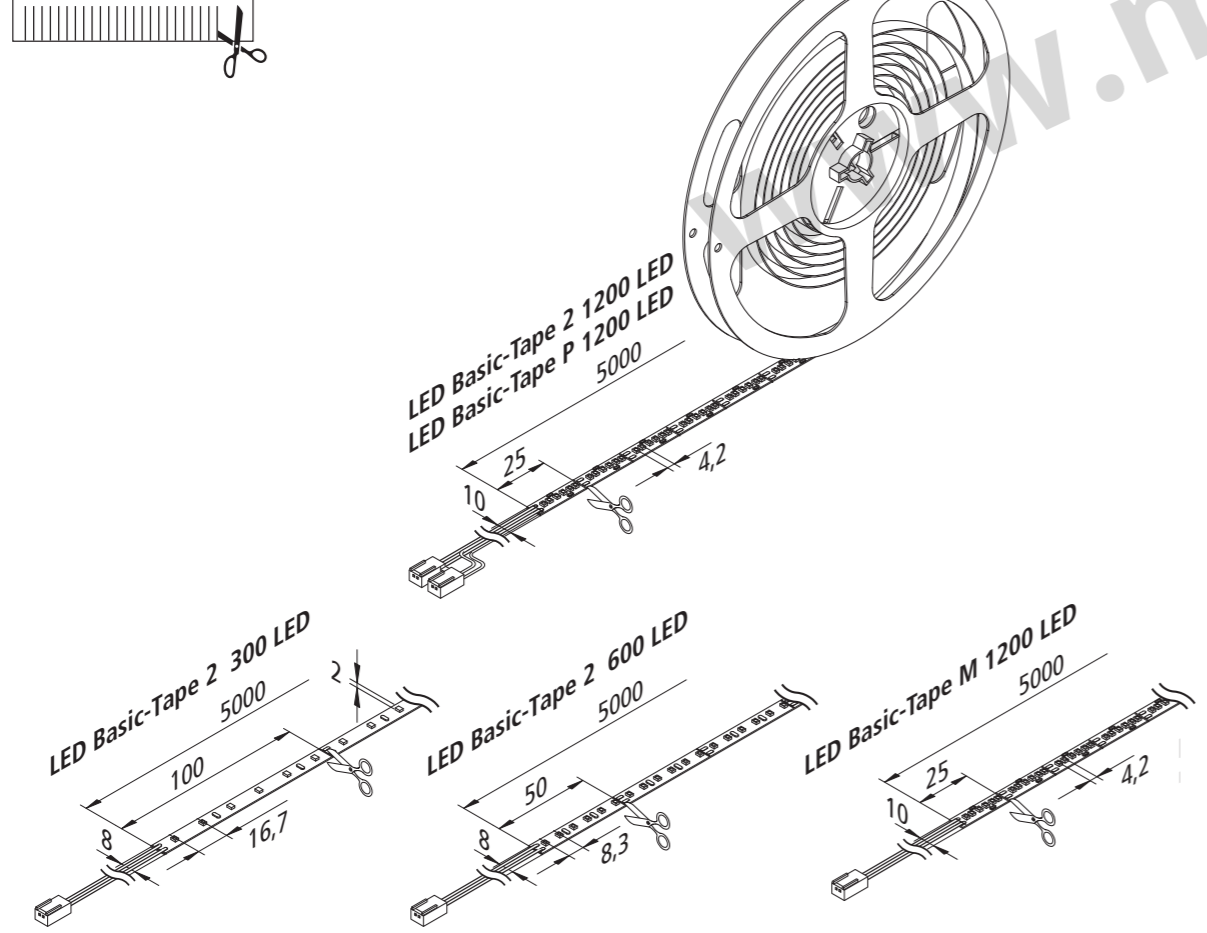
LED Basic Tape 2		20W	40W	80W	120W
0,5m	Ø 650	812 lx	1524 lx	2972 lx	4572 lx
1,0m	Ø 1300	203 lx	381 lx	743 lx	1143 lx
1,5m	Ø 1950	90 lx	169 lx	330 lx	507 lx
2,0m	Ø 2600	51 lx	95 lx	186 lx	285 lx
2,5m	Ø 3250	32 lx	61 lx	119 lx	183 lx

### Special features:

- max. 10 / 6 / 5 m (version 20 / 40 / 80+120 W) on one supply cable
- quick and easy installation due to double-sided adhesive tape
- tapes can be shortened at 100 / 50 / 25 mm (version 300 / 600 / 1200 LED) intervals according to the marks
- afterwards the Tapes can be reconnected without soldering (tape 1200 80 / 120 W up to 3 / 1,5 m max.) with the connecting clips or cables
- use Basic-Tape 1200 P only with aluminium profiles (cooling)!

Illustration	Article No.	Description	Features	Weight approx.	
	202 024 801 02	LED Basic-Tape 2 5m 300 LED 20W ww	<ul style="list-style-type: none"> <li>• colour appearance xw (extra warm white) approx. 2700K or ww (warm white) approx. 3000K or nw (neutral white) approx. 4000K or cw (cool white) approx. 5000K or dl (daylight) approx. 6500K</li> <li>• with supply cable 2,5m</li> <li>• without silicone compound</li> </ul>	80 g	
	202 024 801 03	LED Basic-Tape 2 5m 300 LED 20W nw		80 g	
	202 024 802 04	LED Basic-Tape 2 5m 600 LED 40W xw		80 g	
	202 024 802 02	LED Basic-Tape 2 5m 600 LED 40W ww		80 g	
	202 024 802 03	LED Basic-Tape 2 5m 600 LED 40W nw		80 g	
	202 024 802 01	LED Basic-Tape 2 5m 600 LED 40W cw		80 g	
	202 024 802 05	LED Basic-Tape 2 5m 600 LED 40W dl		80 g	
	202 024 804 02	LED Basic-Tape M 5m 1200 LED 20W ww		<ul style="list-style-type: none"> <li>• colour appearance ww (warm white) approx. 3000K or nw (neutral white) approx. 4000K</li> <li>• incl. supply cable 2,5m</li> <li>• connecting clip and cables with clip up to 10m max.</li> </ul>	80 g
	202 024 804 03	LED Basic-Tape M 5m 1200 LED 20W nw			80 g
		202 024 803 04		LED Basic-Tape 2 5m 1200 LED 80W xw	<ul style="list-style-type: none"> <li>• colour appearance xw (extra warm white) approx. 2700K or ww (warm white) approx. 3000K or nw (neutral white) approx. 4000K</li> <li>• without silicone compound</li> <li>• incl. supply cable 2,5m</li> <li>• connecting clip and cable with clip up to 3m max.</li> </ul>
202 024 803 02		LED Basic-Tape 2 5m 1200 LED 80W ww	120 g		
202 024 803 03		LED Basic-Tape 2 5m 1200 LED 80W nw	120 g		
202 024 805 02		LED Basic-Tape P 5m 1200 LED 120W ww	<ul style="list-style-type: none"> <li>• colour appearance ww (warm white) approx. 3000K or nw (neutral white) approx. 4000K</li> <li>• incl. supply cable 2,5m connecting clip and cable with clip up to 1,5m max.</li> </ul>	120 g	
202 024 805 03		LED Basic-Tape P 5m 1200 LED 120W nw		120 g	
		610 600 103 24	Set of 1 LED Basic-Tape 2 (600) 1000mm 9,0W xw + transformer 15W	<ul style="list-style-type: none"> <li>• colour appearance xw (extra warm white) approx. 2700K or ww (warm white) approx. 3000K or nw (neutral white) approx. 4000K</li> <li>• with supply cable 2,5m</li> <li>• without silicone compound</li> </ul>	217 g
		610 600 103 74	Set of 1 LED Basic-Tape 2 (600) 3000mm 25,9W xw + transformer 30W		430 g
		610 600 104 14	Set of 1 LED Basic-Tape 2 (1200) 1000mm 19,1W xw + transformer 30W		385 g
		610 600 104 64	Set of 1 LED Basic-Tape 2 (1200) 3000mm 53,6W xw + transformer 60W		490 g
		610 600 103 22	Set of 1 LED Basic-Tape 2 (600) 1000mm 9,0W ww + transformer 15W		217 g
	610 600 103 72	Set of 1 LED Basic-Tape 2 (600) 3000mm 25,9W ww + transformer 30W	430 g		
	610 600 104 12	Set of 1 LED Basic-Tape 2 (1200) 1000mm 19,1W ww + transformer 30W	385 g		
	610 600 104 62	Set of 1 LED Basic-Tape 2 (1200) 3000mm 53,6W ww + transformer 60W	490 g		
	610 600 103 23	Set of 1 LED Basic-Tape 2 (600) 1000mm 9,0W nw + transformer 15W	217 g		
	610 600 103 73	Set of 1 LED Basic-Tape 2 (600) 3000mm 25,9W nw + transformer 30W	430 g		
610 600 104 13	Set of 1 LED Basic-Tape 2 (1200) 1000mm 19,1W nw + transformer 30W	385 g			
610 600 104 63	Set of 1 LED Basic-Tape 2 (1200) 3000mm 53,6W nw + transformer 60W	490 g			
Accessories	Connecting cables page 67 / profiles from page 79 / LED transformers 24V from page 230 / dim-controllers page 238				

Configurator p. 89





# BASIC-TAPE MEAT

Self-adhesive, flexible LED strips for the counter

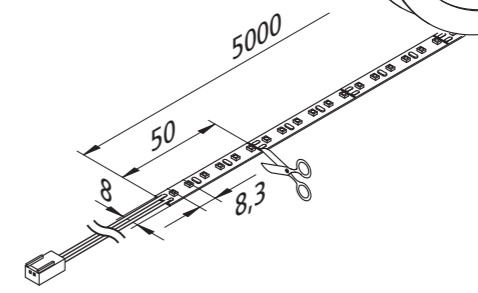
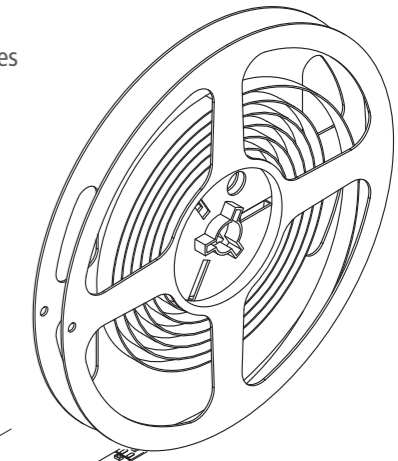


**Connection:** LED transformer DC 24 V  
**Life:** L70/B10 ≥ 50.000 hours  
**Energy efficiency:** LED: 80 lm/W; luminaire: **512 lm/m** (64 lm/W)  
**Colour rendering:** Ra/CRI > 85

Basic Tape 2 - Meat R			
0,5m	120°	Ø 650	948 lx
1,0m		Ø 1300	237 lx
1,5m		Ø 1950	105 lx
2,0m		Ø 2600	59 lx
2,5m		Ø 3250	38 lx

### Special features:

- max. 6 m on one supply cable
- quick and easy installation due to double-sided adhesive tape
- tapes can be shortened at 50 mm intervals according to the marks
- afterwards the tapes can be reconnected without soldering with the connecting clip or cables
- can be combined with all profiles in the configurator



Configurator p. 89



Illustration	Article No.	Description	Features	Weight approx.
	202 024 802 10	LED Basic-Tape 5m 600 LED 40W Meat R	<ul style="list-style-type: none"> <li>• colour appearance Meat R</li> <li>• with supply cable 2,5m</li> <li>• without silicone compound</li> </ul>	80 g
	215 280 410 01	Supply cable LED Tape 1000mm	<ul style="list-style-type: none"> <li>• connection between transformer and LED Tape 300 or 600</li> </ul>	9 g
	215 280 425 01	Supply cable LED Tape 2500mm		23 g
	215 283 081 01	Supply cable 8mm Tape 1000mm max. 60W <b>NEW</b>		14 g
	215 283 081 02	Supply cable 8mm Tape 2500mm max. 60W <b>NEW</b>		30 g
	215 280 001 01	Corner clip LED Tape	<ul style="list-style-type: none"> <li>• connection between two sections of the LED ape 300 or 600</li> </ul>	1 g
	215 280 000 01	Connecting clip LED Tape		1 g
	215 280 603 01	Connecting cable LED Tape 50mm		3 g
	215 280 602 01	Connecting cable LED Tape 200mm		6 g
	215 280 625 01	Connecting cable LED Tape 2500mm		40 g
	215 283 080 01	Connecting clip 8mm Tape max. 60W <b>NEW</b>	<ul style="list-style-type: none"> <li>• connection between two sections of the 8mm Tape</li> </ul>	1 g
	215 283 082 01	Connecting cable 8mm Tape 50mm max. 60W <b>NEW</b>		2 g
	215 283 082 02	Connecting cable 8mm Tape 200mm max. 60W <b>NEW</b>		4 g
	215 283 082 03	Connecting cable 8mm Tape 2500mm max. 60W <b>NEW</b>		30 g
Accessories		profiles from page 79 / LED transformers 24V from page 230 / dim-controllers page 238		



# ECO-TAPE

Self-adhesive flexible LED strips on roll

Introduction

Power supply track system

Linear luminaires

Recessed and surface mounted luminaires

Showcase and over cabinet luminaires

Under cabinet luminaires

Accessories

Appendix



**Connection:** LED transformer DC 24 V  
**Life:** L70/B10 ≥ 50.000 hours  
**Energy efficiency:** LED: 140 lm/W  
 luminaire: **234 / 468 / 936 / 1870 lm/m** (117 lm/W)  
**Colour rendering:** Ra/CRI > 80

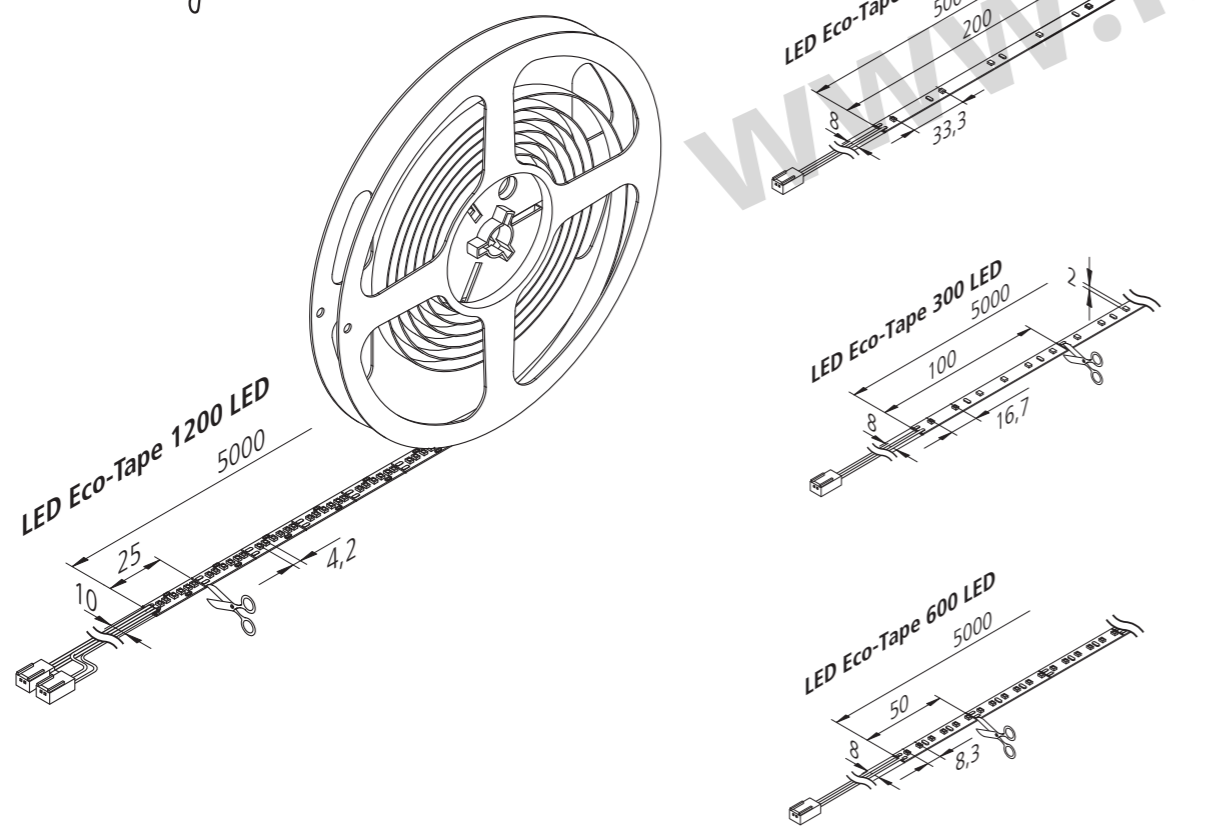
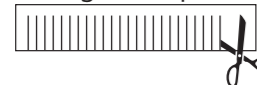
LED Eco-Tape		10W	20W	40W	80W
0,5m	∅ 650	460 lx	904 lx	1672 lx	3228 lx
1,0m	∅ 1300	115 lx	226 lx	418 lx	807 lx
1,5m	∅ 1950	51 lx	100 lx	186 lx	359 lx
2,0m	∅ 2600	29 lx	57 lx	105 lx	202 lx
2,5m	∅ 3250	18 lx	36 lx	67 lx	129 lx

### Special features:

- max. 10 / 10 / 6 / 5 m (version 10 / 20 / 40 / 80 W) on one supply cable
- quick and easy installation due to double-sided adhesive tape
- tapes can be shortened at 200 / 100 / 50 / 25 mm (version 150 / 300 / 600 / 1200 LED) intervals according to the marks
- afterwards the tapes can be reconnected without soldering (tape 1200 80 W up to 3 m max.) with the connecting clips or cables

Illustration	Article No.	Description	Features	Weight approx.
	202 029 601 02	LED Eco-Tape 5m 150 LED 10W ww	<ul style="list-style-type: none"> <li>• colour appearance xw (extra warm white) approx. 2700K or ww (warm white) approx. 3000K or nw (neutral white) approx. 4000K or cw (cool white) approx. 5000K or dl (daylight) approx. 6500K</li> <li>• with supply cable 2,5m</li> <li>• without silicone compound</li> </ul>	80 g
	202 029 601 03	LED Eco-Tape 5m 150 LED 10W nw		80 g
	202 029 602 02	LED Eco-Tape 5m 150 LED 20W ww		80 g
	202 029 602 03	LED Eco-Tape 5m 150 LED 20W nw		80 g
	202 029 611 04	LED Eco-Tape 5m 300 LED 20W xw		80 g
	202 029 611 02	LED Eco-Tape 5m 300 LED 20W ww		80 g
	202 029 611 03	LED Eco-Tape 5m 300 LED 20W nw		80 g
	202 029 612 04	LED Eco-Tape 5m 300 LED 40W xw		80 g
	202 029 612 02	LED Eco-Tape 5m 300 LED 40W ww		80 g
	202 029 612 03	LED Eco-Tape 5m 300 LED 40W nw		80 g
	202 029 621 04	LED Eco-Tape 5m 600 LED 40W xw		80 g
	202 029 621 02	LED Eco-Tape 5m 600 LED 40W ww		80 g
	202 029 621 03	LED Eco-Tape 5m 600 LED 40W nw		80 g
	202 029 621 01	LED Eco-Tape 5m 600 LED 40W cw		80 g
	202 029 621 05	LED Eco-Tape 5m 600 LED 40W dl		80 g
	202 029 631 04	LED Eco-Tape 5m 1200 LED 80W xw	<ul style="list-style-type: none"> <li>• colour appearance xw (extra warm white) approx. 2700K or ww (warm white) approx. 3000K or nw (neutral white) approx. 4000K</li> <li>• without silicone compound incl. supply cable 2,5m (21528112501)</li> <li>• connecting clip and cable with clip up to 3m max.</li> </ul>	120 g
	202 029 631 02	LED Eco-Tape 5m 1200 LED 80W ww		120 g
	202 029 631 03	LED Eco-Tape 5m 1200 LED 80W nw		120 g
	610 592 103 24	Set of 1 LED Eco-Tape (600) 1000mm 9,0W xw + transformer 15W	<ul style="list-style-type: none"> <li>• colour appearance xw (extra warm white) approx. 2700K or ww (warm white) approx. 3000K or nw (neutral white) approx. 4000K</li> <li>• without silicone compound</li> <li>• incl. supply cable 2,5m</li> </ul>	217 g
	610 592 103 74	Set of 1 LED Eco-Tape (600) 3000mm 25,9W xw + transformer 30W		430 g
	610 592 104 14	Set of 1 LED Eco-Tape (1200) 1000mm 19,1W xw + transformer 30W		385 g
	610 592 104 64	Set of 1 LED Eco-Tape (1200) 3000mm 53,6W xw + transformer 60W		490 g
	610 592 103 22	Set of 1 LED Eco-Tape (600) 1000mm 9,0W ww + transformer 15W		217 g
	610 592 103 72	Set of 1 LED Eco-Tape (600) 3000mm 25,9W ww + transformer 30W		430 g
	610 592 104 12	Set of 1 LED Eco-Tape (1200) 1000mm 19,1W ww + transformer 30W		385 g
	610 592 104 62	Set of 1 LED Eco-Tape (1200) 3000mm 53,6W ww + transformer 60W		490 g
	610 592 103 23	Set of 1 LED Eco-Tape (600) 1000mm 9,0W nw + transformer 15W		217 g
	610 592 103 73	Set of 1 LED Eco-Tape (600) 3000mm 25,9W nw + transformer 30W		430 g
	610 592 104 13	Set of 1 LED Eco-Tape (1200) 1000mm 19,1W nw + transformer 30W		385 g
	610 592 104 63	Set of 1 LED Eco-Tape (1200) 3000mm 53,6W nw + transformer 60W		490 g
	Accessories	Connecting cables page 67 / profiles from page 79 / LED transformers 24V from page 230 / dim-controllers page 238		

Configurator p. 89





# BASIC-TAPE S

Self-adhesive flexible LED strips with silicone compound



**Connection:** LED transformer DC 24 V  
**Life:** L70/B10 ≥ 40.000 hours  
**Energy efficiency:** LED: 129 lm/W; luminaire: **780 lm/m** (98 lm/W)  
**Colour rendering:** Ra/CRI > 85

LED Basic-Tape S				
		xw	ww	nw
0,5m	Ø 610	884 lx	952 lx	1024 lx
1,0m	Ø 1220	221 lx	238 lx	256 lx
1,5m	Ø 1830	98 lx	106 lx	114 lx
2,0m	Ø 2440	55 lx	60 lx	64 lx
2,5m	Ø 3050	35 lx	38 lx	41 lx

### Special features:

- max. 6 m per supply cable
- quick and easy installation due to double-sided adhesive tape
- tapes can be shortened at 50 mm intervals according to the marks on the front side)
- **after removing the silicone layer from the connection pad the strips can be connected with the clips and connecting cables (now IP20 only)**
- with IP54, suitable for applications requiring higher ingress protection (general humidity, bathroom, kitchen, shops). The silicone compound assures an additional mechanical protection e.g. for frequent cleaning work.

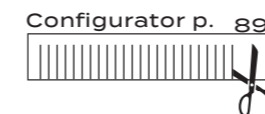
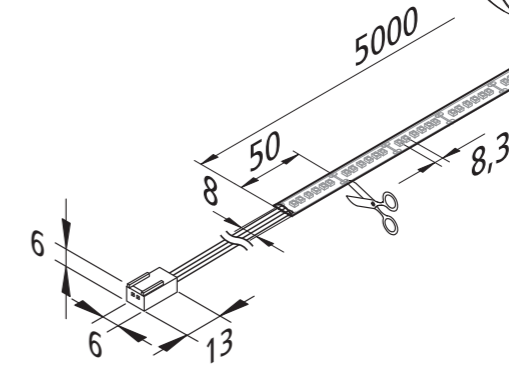
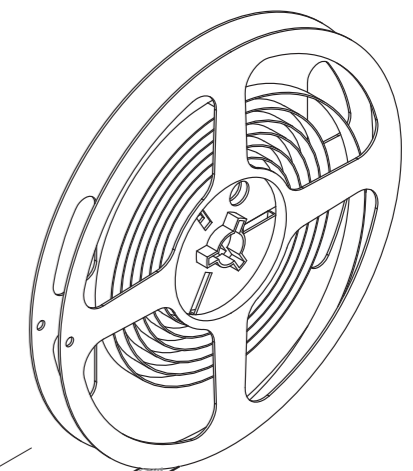


Illustration	Article No.	Description	Features	Weight approx.
	202 026 302 34	LED Basic-Tape S 5m 600 LED 40W xw	<ul style="list-style-type: none"> <li>• incl. supply cable 2,5m with LED 24 plug</li> <li>• colour appearance xw (extra warm white) approx. 2700K or ww (warm white) approx. 3000K or nw (neutral white) approx. 4000K</li> <li>• with silicone compound (IP 54)</li> </ul>	220 g
	202 026 302 32	LED Basic-Tape S 5m 600 LED 40W ww		220 g
	202 026 302 33	LED Basic-Tape S 5m 600 LED 40W nw		220 g
	610 594 101 14	Set of 1 LED Basic-Tape S 1000mm 9,0W xw + transformer 15W	<ul style="list-style-type: none"> <li>• incl. supply cable 2,5m with LED 24 plug</li> <li>• colour appearance xw (extra warm white) approx. 2700K or ww (warm white) approx. 3000K or nw (neutral white) approx. 4000K</li> <li>• with silicone compound (IP 54)</li> </ul>	242 g
	610 594 101 64	Set of 1 LED Basic-Tape S 3000mm 25,9W xw + transformer 30W		485 g
	610 594 101 12	Set of 1 LED Basic-Tape S 1000mm 9,0W ww + transformer 15W		242 g
	610 594 101 62	Set of 1 LED Basic-Tape S 3000mm 25,9W ww + transformer 30W		485 g
	610 594 101 13	Set of 1 LED Basic-Tape S 1000mm 9,0W nw + transformer 15W		242 g
	610 594 101 63	Set of 1 LED Basic-Tape S 3000mm 25,9W nw + transformer 30W		485 g
	Accessories	Connecting cables page 67 / profiles from page 79 / LED transformers 24V from page 230 / dim-controllers page 238		



# BASIC SIDE-TAPE

Self-adhesive flexible LED strips with lateral radiation



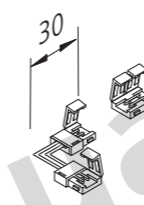
**Connection:** LED transformer DC 24 V  
**Life:** L70/B10 ≥ 50.000 hours  
**Energy efficiency:** LED 114 lm/W; luminaire: 690 lm/m (86 lm/W)  
**Colour rendering:** Ra/CRI > 90

LED Basic Side-Tape			
		ww	nw
0,5m	∅ 535	1756 lx	1776 lx
1,0m	∅ 1070	439 lx	444 lx
1,5m	∅ 1605	195 lx	197 lx
2,0m	∅ 2140	110 lx	111 lx
2,5m	∅ 2675	70 lx	71 lx

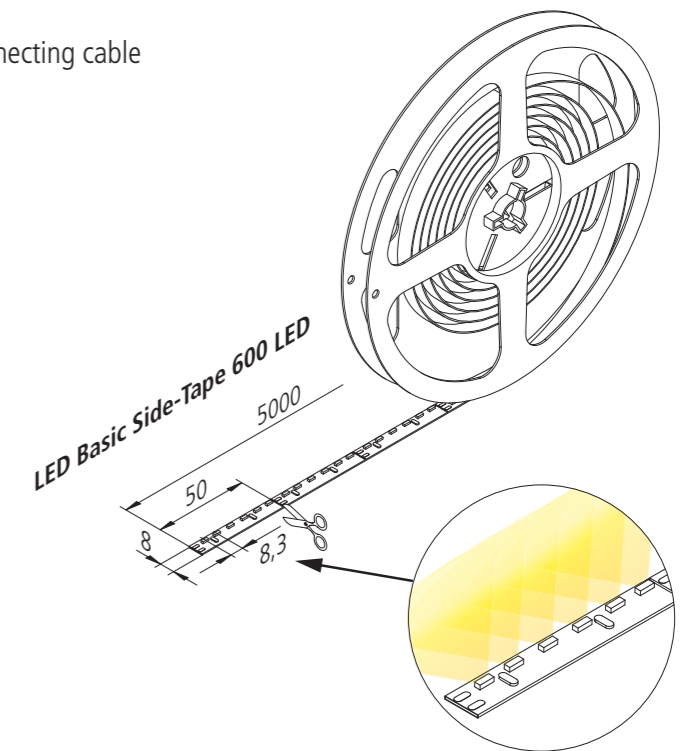
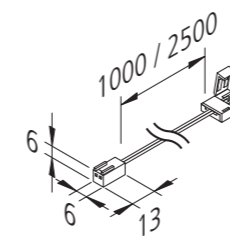
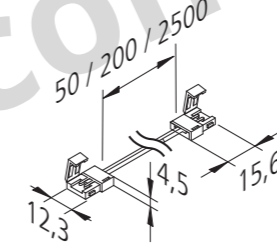
### Special features:

- illuminated direction 90° turned
- max. 6 m on one supply cable
- quick and easy installation due to double-sided adhesive tape
- tapes can be shortened at 50 mm intervals according to the marks on the front side
- afterwards the tapes can be reconnected without soldering with the connecting clips or cables

connecting clip



connecting cable



Configurator p. 89



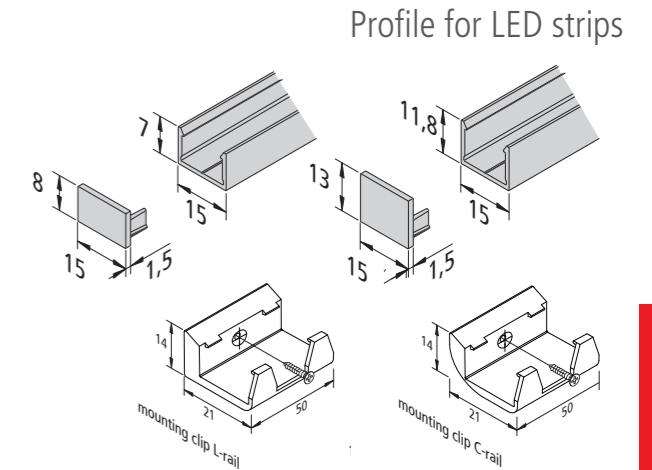
Illustration	Article No.	Description	Features	Weight approx.
	202 028 002 02	LED Basic Side-Tape 5m 600 LED 40W ww	<ul style="list-style-type: none"> <li>• colour appearance ww (warm white) approx. 3000K or nw (neutral white) approx. 4000K</li> <li>• without supply cable</li> <li>• without silicone compound</li> </ul>	80 g
	202 028 002 03	LED Basic Side-Tape 5m 600 LED 40W nw		80 g
	215 280 410 01	Supply cable LED Tape 1000mm	<ul style="list-style-type: none"> <li>• connection between transformer and LED Tape 300 or 600</li> </ul>	9 g
	215 280 425 01	Supply cable LED Tape 2500mm		23 g
	215 280 001 01	Corner clip LED Tape	<ul style="list-style-type: none"> <li>• connection between two sections of the LED Tape 300 or 600</li> </ul>	1 g
	215 280 000 01	Connecting clip LED Tape		1 g
	215 280 603 01	Connecting cable LED Tape 50mm		3 g
	215 280 602 01	Connecting cable LED Tape 200mm		6 g
	215 280 625 01	Connecting cable LED Tape 2500mm		40 g
	Accessories	LED transformers 24V from page 230 / dim-controllers page 238		



# PROFILES

Photo: Sachsenküchen

## MOUNTING PROFILE



- for screwing, gluing or with magnetic tape

**Important note:** We would like to inform you that for orders of only profiles without lighting, i.e. without LED components (like tapes, transformers, controllers), a surcharge of 25% will be applied.

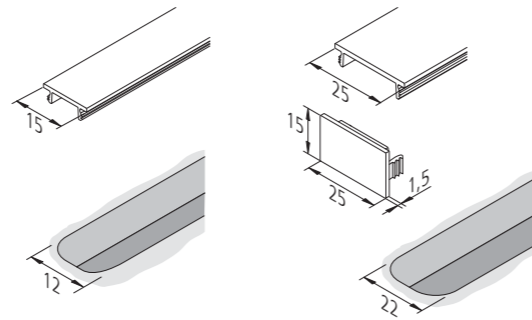
Illustration	Article No.	Description	Features	Weight approx.
	615 000 321 13	LED Mounting Profile 15/8mm 1m	• black • for cover profile 15mm	160 g
	615 000 321 63	LED Mounting Profile 15/8mm 2,95m set of 5		1500 g
	615 000 310 43	Front cover LED Mounting Profile 15/8mm	• set of 2 with screws	2 g
	615 000 321 10	LED Mounting Profile 15/8mm 1m	• anodized aluminium • for cover profile 15mm	100 g
	615 000 321 61	LED Mounting Profile 15/8mm 2,95m set of 5		1500 g
	615 000 310 41	Front cover LED Mounting Profile 15/8mm	• set of 2 with screws	2 g
	615 000 316 13	LED Mounting Profile 15/13mm 1m	• black • for cover profile 15mm	190 g
	615 000 316 63	LED Mounting Profile 15/13mm 2,95m set of 5		2850 g
	615 000 310 23	Front cover LED Mounting Profile 15/13mm	• set of 2 with fastening screws	1 g
	615 000 316 10	LED Mounting Profile 15/13mm 1m	• anodized aluminium • for cover profile 15mm	190 g
	615 000 316 61	LED Mounting Profile 15/13mm 2,95m set of 5		2850 g
	615 000 310 21	Front cover LED Mounting Profile 15/13mm	• set of 2 with fastening screws	3 g
	202 040 117 01	Mounting clip LED Mounting Profile 15/13mm transparent	• set of 2 with screws	1 g
	202 040 122 01	Mounting clip LED Mounting Profile 15/8mm transparent for recessed grip profile L-form <b>NEW</b>	• set of 2 with screws	11 g
	202 040 123 01	Mounting clip LED Mounting Profile 15/8mm transparent for recessed grip profile C-form <b>NEW</b>	• set of 2 with screws	10 g
	615 000 305 01	Magnetic tape for Mounting Profile 5m roll	• 5000 x 10 x 1,5mm (LxBxH) • e.g. for fitting to steel shelves	275 g



# COVER PROFILE



Covering for milled groove or for aluminium profiles



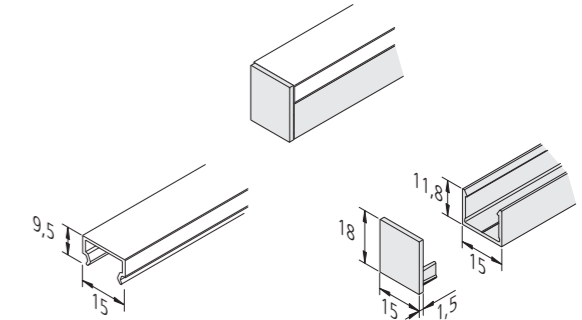
- to cover the 12 or 22mm milling groove or in combination with various aluminium profiles, 6m roll for cutting to length

Illustration	Article No.	Description	Features	Weight approx.
	203 012 807 10	LED Cover Profile 15mm 1m	<ul style="list-style-type: none"> <li>material PC <b>slightly black matt</b></li> </ul>	73 g
	203 012 807 60	LED Cover Profile 15mm 6m roll		440 g
	203 012 806 10	LED Cover Profile 15mm 1m	<ul style="list-style-type: none"> <li>material PC <b>slightly matt</b></li> </ul>	30 g
	203 012 806 54	LED Cover Profile 15mm 6m roll		165 g
	203 012 805 10	LED Cover Profile 15mm 1m	<ul style="list-style-type: none"> <li>material PC <b>highly matt</b></li> <li>for a uniform deco light strip without visible LEDs with Tape 600</li> </ul>	30 g
	203 012 805 54	LED Cover Profile 15mm 6m roll		165 g
	203 012 811 10	LED Cover Profile 25mm 1m	<ul style="list-style-type: none"> <li>material PC <b>clear</b></li> <li>for maximum brightness</li> </ul>	47 g
	203 012 811 54	LED Cover Profile 25mm 6m roll		255 g
	203 012 801 10	LED Cover Profile 25mm 1m	<ul style="list-style-type: none"> <li>material PC <b>slightly matt</b></li> </ul>	47 g
	203 012 801 54	LED Cover Profile 25mm 6m roll	<ul style="list-style-type: none"> <li>material PC <b>slightly matt</b></li> </ul>	255 g
	203 012 803 10	LED Cover Profile 25mm 1m	<ul style="list-style-type: none"> <li>material PC <b>highly matt</b></li> <li>for a uniform deco light strip without visible LEDs with Tape 600</li> </ul>	47 g
	203 012 803 54	LED Cover Profile 25mm 6m roll		255 g
	213 041 080 08	Front cover LED Cover Profile 25mm	<ul style="list-style-type: none"> <li>stainless steel look</li> </ul>	2 g
	615 000 311 01	Double-sided adhesive foil 5m roll	<ul style="list-style-type: none"> <li>5000 x 10 x 0,1mm (LxBxH)</li> <li>for adhering the Line and Tape to milled wood-based materials</li> </ul>	20 g

# COVER PROFILE H



For homogeneous accent lighting



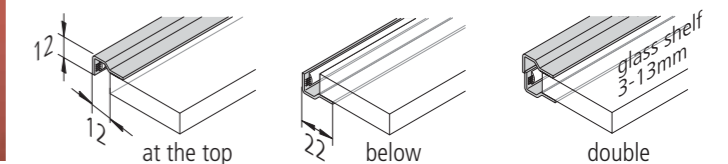
- cover profile for homogeneous planar light (as of Tape 300) as accent lighting

Illustration	Article No.	Description	Features	Weight approx.
	203 012 808 10	LED Cover Profile H 15mm 1m highly matt	<ul style="list-style-type: none"> <li>material: PC <b>highly matt</b></li> <li>with Tape 300 for a homogeneous and decorative light strip without visible luminous spots</li> </ul>	36 g
	203 012 808 61	LED Cover Profile H 15mm 2,95m set of 5 highly matt		530 g
	615 000 316 13	LED Mounting Profile 15/13mm 1m	<ul style="list-style-type: none"> <li>black</li> <li>for cover profile 15mm</li> </ul>	190 g
	615 000 316 63	LED Mounting Profile 15/13mm 2,95m set of 5		2850 g
	615 000 310 83	Front cover LED Mounting Profile 15/18mm black	<ul style="list-style-type: none"> <li>set of 2 with screws</li> </ul>	2 g
	615 000 316 10	LED Mounting Profile 15/13mm 1m	<ul style="list-style-type: none"> <li>anodized aluminium</li> <li>for cover profile 15mm</li> </ul>	190 g
	615 000 316 61	LED Mounting Profile 15/13mm 2,95m set of 5		2850 g
	615 000 310 81	Front cover LED Cover Profile 15/18mm anodized aluminium	<ul style="list-style-type: none"> <li>set of 2 with screws</li> </ul>	2 g

# PROFILE FOR GLASS SHELVES



For mounting LED strips in case of lateral feeder



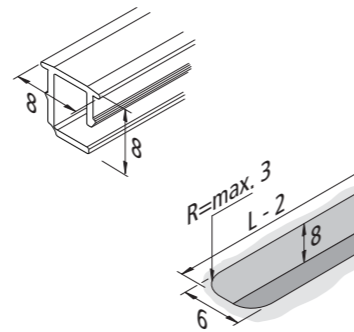
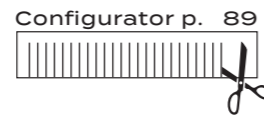
- can be glued on one side, up or down the glass pane or double on both sides

Illustration	Article No.	Description	Features	Weight approx.
	615 000 302 02	LED Profile for glass shelves 560mm	<ul style="list-style-type: none"> <li>anodized aluminium</li> <li>incl. double-sided adhesive foil</li> <li>further lengths on request</li> </ul>	70 g
	615 000 302 06	LED Profile for glass shelves 760mm		95 g
	615 000 302 03	LED Profile for glass shelves 860mm		110 g
	615 000 302 07	LED Profile for glass shelves 960mm		120 g
	615 000 302 04	LED Profile for glass shelves 1160mm		150 g
	615 000 302 51	LED Profile for glass shelves 1950mm set of 10		2440 g

## MILLED PROFILE 8 MM



Plastic profile for 4mm LED strips



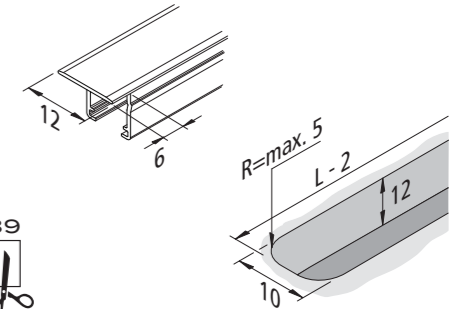
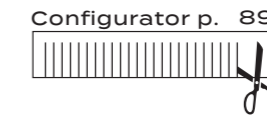
- for 4mm Tapes
- can be planned in the configurator to the desired length and with 5mm cuts (as a front cover)

Illustration	Article No.	Description	Features	Weight approx.
	615 000 338 10	LED Milled Profile 8/8mm 1m	• material PC highly matt	39 g
	615 000 338 61	LED Milled Profile 8/8mm 2,95m set of 5		570 g

## MILLED PROFILE 12 MM



Plastic profile for 8mm LED strips



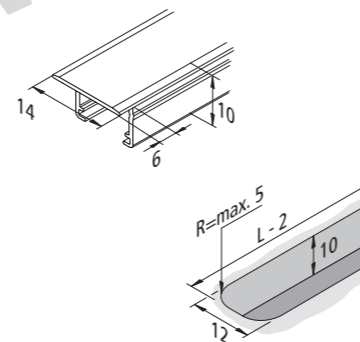
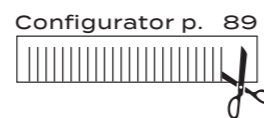
- for 8mm Tapes
- can be planned in the configurator to the desired length and with 6mm cuts (as a front cover)

Illustration	Article No.	Description	Features	Weight approx.
	615 000 335 10	LED Milled Profile 12/12mm 1m	• material PC highly matt • for a uniform deco light strip without visible LEDs with Tape 600	39 g
	615 000 335 61	LED Milled Profile 12/12mm 2,95m set of 5		570 g

## MILLED PROFILE 14 MM



Plastic profile for 10mm LED strips



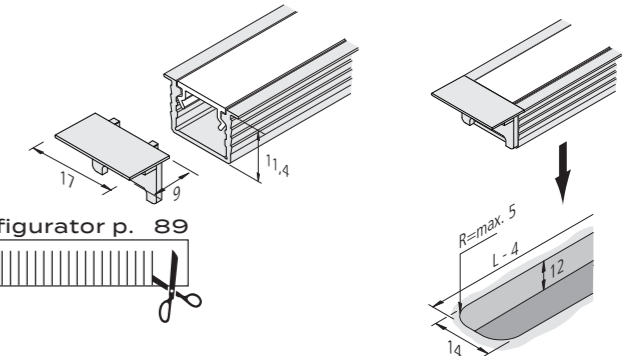
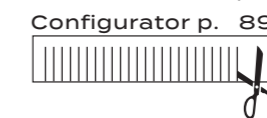
- for 10mm Tapes
- can be planned in the configurator to the desired length and with 6mm cuts (as a front cover)

Illustration	Article No.	Description	Features	Weight approx.
	615 000 344 01	LED Milled Profile 14/10mm 1m	• material PC highly matt • for a uniform deco light strip without visible LEDs with Tape 600	174 g
	615 000 344 61	LED Milled Profile 14/10mm 2,95m set of 5		575 g

## MILLED PROFILE 17MM



Symmetric profile for LED strips



- milled profile for symmetrical illumination

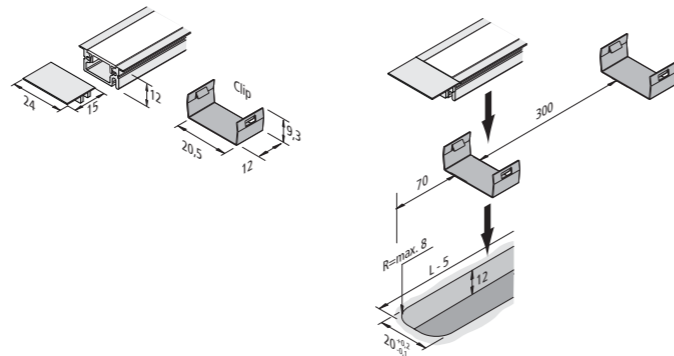
Illustration	Article No.	Description	Features	Weight approx.
	203 013 710 01	LED Cover Profile 11mm 1m	• material PC highly matt	20 g
	203 013 710 02	LED Cover Profile 11mm 6m roll		120 g
	615 000 343 01	LED Milled Profile 17/12mm 1m	• anodized aluminium • for cover profile 11 mm	119 g
	615 000 343 61	LED Milled Profile 17/12mm 2,95m set of 5		1750 g
	213 041 250 11	Front cover LED Milled Profile 17mm	• Set of 2	1 g

# MILLED PROFILE C24 MM

**NEW**



Clipable, symmetrical profile with clip for LED strips



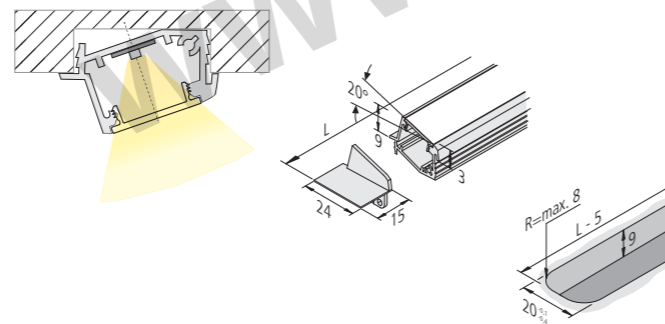
- milled profile for symmetrical illumination
- minimal installation height of 0.6 mm, therefore also ideal for vertical installation in cabinets

Illustration	Article No.	Description	Features	Weight approx.
	615 000 341 13	LED milled profile C 24/12mm 1m	• black • for cover profile 15mm	158 g
	615 000 341 63	LED milled profile C 24/12mm 2,95m set of 5		2330 g
	615 000 340 23	Front cover LED milled profile C 24/12mm	• set of 2 with screws	2 g
	615 000 341 18	LED milled profile C 24/12mm 1m	• stainless steel look • for cover profile 15mm	158 g
	615 000 341 68	LED milled profile C 24/12mm 2,95m set of 5		2330 g
	615 000 340 28	Front cover LED milled profile C 24/12mm	• set of 2 with screws	2 g
	202 040 120 01	Mounting clip milled profile C 24mm	• recommended every 30cm	1 g

# MILLED PROFILE A 24 MM



Asymmetrical aluminium profile for LED strips



- milled profile for asymmetrical illumination

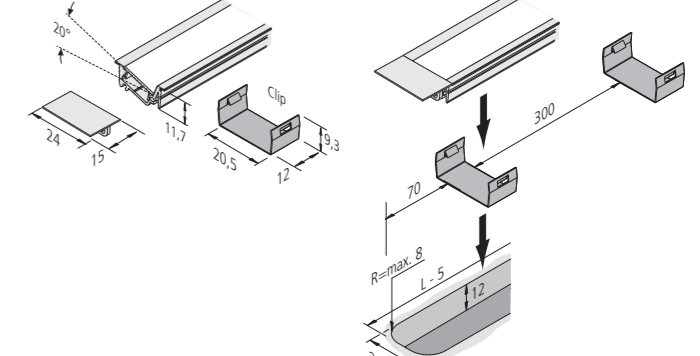
Illustration	Article No.	Description	Features	Weight approx.
	615 000 324 13	LED Milled Profile A 24mm 1m	• black • for cover profile 15mm • for reverse asymmetrical illumination	190 g
	615 000 324 63	LED Milled Profile A 24mm 2,95m set of 5		2850 g
	615 000 310 53	Front cover LED Milled Profile A 24mm	• set of 2 with fastening screws	1 g
	615 000 324 10	LED Milled Profile A 24mm 1m	• anodized aluminium • for cover profile 15mm • for reverse asymmetrical illumination	190 g
	615 000 324 61	LED Milled Profile A 24mm 2,95m set of 5		2850 g
	615 000 310 51	Front cover LED Milled Profile A 24mm	• set of 2 with fastening screws	1 g

# MILLED PROFILE IC 24 MM

**NEW**



Clipable, asymmetrical profile for LED tapes



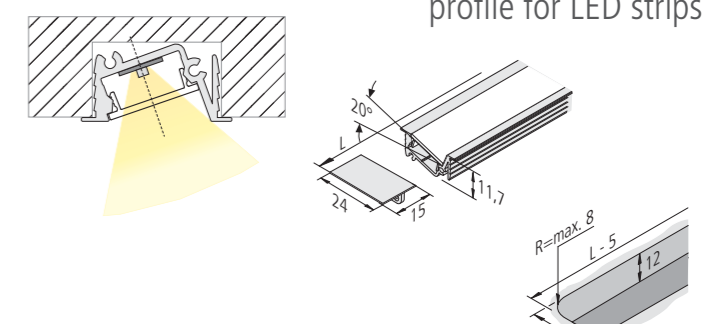
- milled profile for reverse asymmetrical illumination
- minimal installation height of 0.6 mm, therefore also ideal for vertical installation in cabinets

Illustration	Article No.	Description	Features	Weight approx.
	615 000 342 13	LED Milled Profile IC 24mm 1m	• black • for cover profile 15mm • for reverse asymmetrical illumination	190 g
	615 000 342 63	LED Milled Profile IC 24mm 2,95m set of 5		2850 g
	615 000 340 33	Front cover LED Milled Profile IC 24mm	• set of 2 with screws	1 g
	615 000 342 18	LED Milled Profile IC 24mm 1m	• stainless steel look • for cover profile 15mm • for reverse asymmetrical illumination	190 g
	615 000 342 68	LED Milled Profile IC 24mm 2,95m set of 5		2850 g
	615 000 340 38	Front cover LED Milled Profile IC 24mm	• set of 2 with screws	1 g
	202 040 120 01	Mounting clip milled profile C 24mm	• recommended every 30cm	1 g

# MILLED PROFILE I 24 MM



Reverse asymmetrical aluminium profile for LED strips



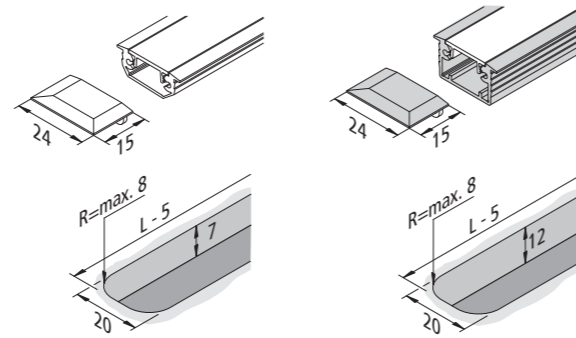
- milled profile for reverse asymmetrical illumination

Illustration	Article No.	Description	Features	Weight approx.
	615 000 332 13	LED Milled Profile I 24mm 1m	• black • for cover profile 15mm • for reverse asymmetrical illumination	190 g
	615 000 332 63	LED Milled Profile I 24mm 2,95m set of 5		2850 g
	615 000 310 63	Front cover LED Milled Profile I 24mm	• set of 2 with screws	1 g
	615 000 332 10	LED Milled Profile I 24mm 1m	• anodized aluminium • for cover profile 15mm • for reverse asymmetrical illumination	190 g
	615 000 332 61	LED Milled Profile I 24mm 2,95m set of 5		2850 g
	615 000 310 61	Front cover LED Milled Profile I 24mm	• set of 2 with screws	1 g
	615 000 332 18	LED Milled Profile I 24mm 1m	• stainless steel look • for cover profile 15mm • for reverse asymmetrical illumination	190 g
	615 000 332 68	LED Milled Profile I 24mm 2,95m set of 5		2850 g
	615 000 310 68	Front cover LED Milled Profile I 24mm	• set of 2 with screws	1 g

# MILLED PROFILE 24 MM



Symmetric profile for LED strips

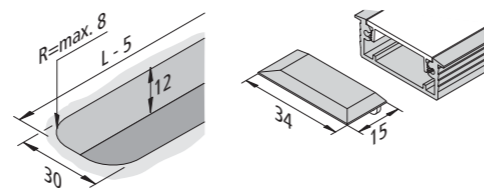


- milled profile for symmetrical illumination

Illustration	Article No.	Description	Features	Weight approx.
	615 000 334 13	LED Milled Profile 24/7mm 1m	• black	190 g
	615 000 334 63	LED Milled Profile 24/7mm 2,95m set of 5	• for cover profile 15mm	2850 g
	615 000 314 13	LED Milled Profile 24/12mm 1m		190 g
	615 000 314 63	LED Milled Profile 24/12mm 2,95m set of 5		2850 g
	615 000 310 13	Front cover LED Milled Profile 24mm	• set of 2 with fastening screws	1 g
	615 000 334 10	LED Milled Profile 24/7mm 1m	• anodized aluminium	190 g
	615 000 334 61	LED Milled Profile 24/7mm 2,95m set of 5	• for cover profile 15mm	2850 g
	615 000 314 10	LED Milled Profile 24/12mm 1m		190 g
	615 000 314 61	LED Milled Profile 24/12mm 2,95m set of 5		2850 g
	615 000 310 11	Front cover LED Milled Profile 24mm	• set of 2 with fastening screws	1 g
	615 000 314 18	LED Milled Profile 24/12mm 1m	• stainless steel look	190 g
	615 000 314 68	LED Milled Profile 24/12mm 2,95m set of 5	• for cover profile 15mm	2850 g
	615 000 310 18	Front cover LED Milled Profile 24mm	• set of 2 with screws	1 g



# MILLED PROFILE 34MM



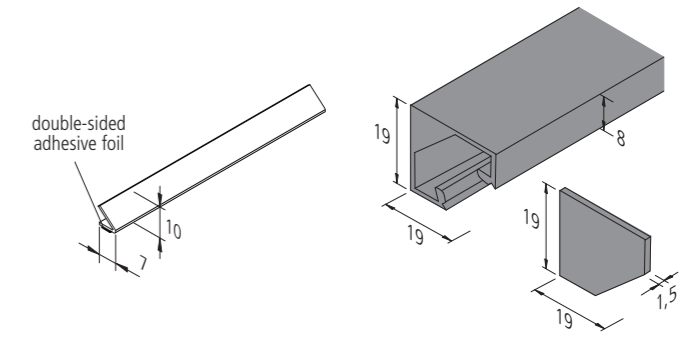
- milled profile for symmetrical illumination

Illustration	Article No.	Description	Features	Weight approx.
	615 000 315 10	LED Milled Profile 34mm 1m	• anodized aluminium	240 g
	615 000 315 61	LED Milled Profile 34mm 2,95m set of 5	• for cover profile 25mm	3600 g
	615 000 310 01	Front cover LED Milled Profile 34mm	• set of 2 with screws	3 g

# CORNER PROFILE

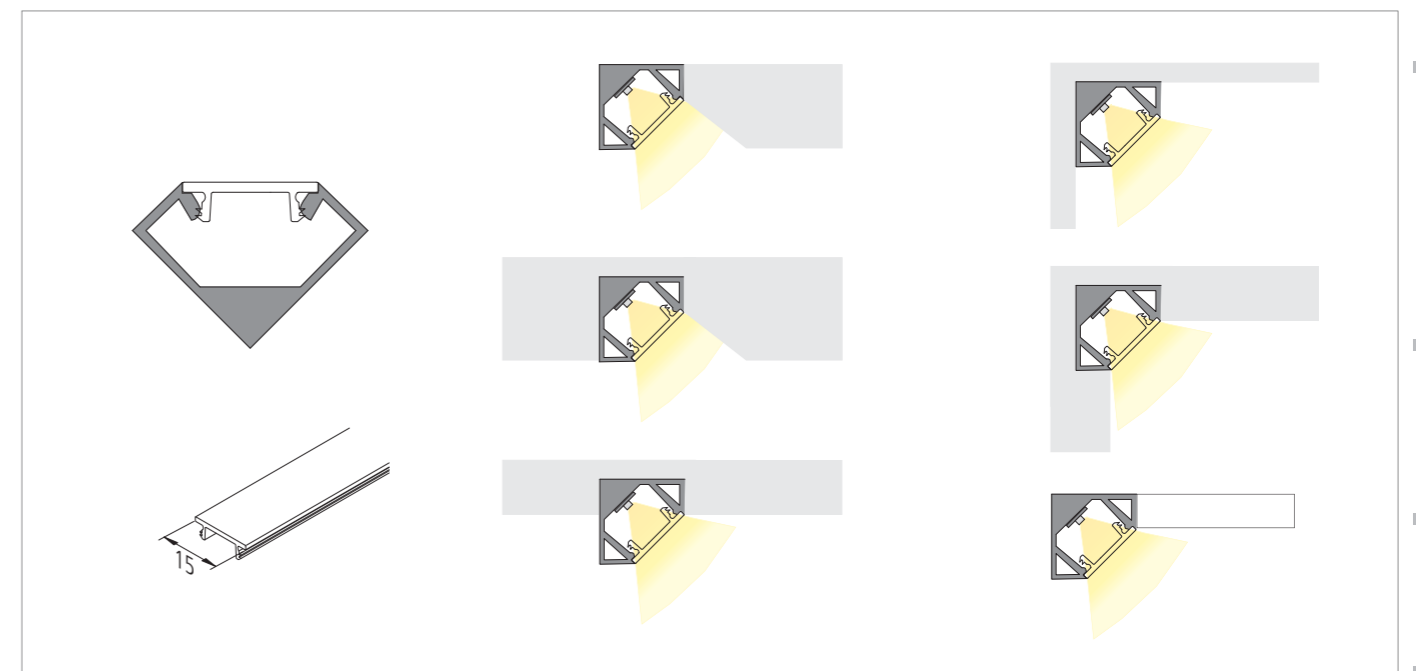


Corner profile for LED strips



- for screwing, gluing or with magnetic tape. Also suitable for gluing on a glass bottom

Illustration	Article No.	Description	Features	Weight approx.
	615 000 313 01	LED Corner Profile 10mm 45° 1m	• Material aluminium	45 g
			• incl. double-sided adhesive foil	
	615 000 320 03	LED Corner Profile 19mm 1m	• black	240 g
	615 000 320 63	LED Corner Profile 19mm 2,95m set of 5	• for cover profile 15mm	3600 g
	615 000 310 33	Front cover LED Corner Profile 19mm	• set of 2 with fastening screws	3 g
	615 000 320 01	LED Corner Profile 19mm 1m	• anodized aluminium	240 g
	615 000 320 61	LED Corner Profile 19mm 2,95m set of 5	• for cover profile 15mm	3600 g
615 000 310 31	Front cover LED Corner Profile 19mm	• set of 2 with fastening screws	3 g	





1 SELECT LED-TAPE



2 DETERMINE COLOUR TEMPERATURE



3 DEFINE PROFILE & LENGTH



4 SPECIFY TYPE OF CABLE



HERA ONLINE-CONFIGURATOR



5 SELECT PROFILE TYPE



6 SPECIFY COVER PROFILE

... IN 7 STEPS TO THE TAILOR-MADE PRODUCT



7 SELECT ACCESSORIES



PLACE ORDER

With the help of our luminaire configurator, you can quickly and easily plan your individual luminaire online starting from 1 piece per order, which will arrive within 5 to 10 days. First you have to select the desired LED tape and determine the colour temperature. After that, everything is personalized. You can specify your preferred luminaire and cable length, how many luminaires you would like to have and choose between multiple profiles. Once you have specified everything for your desired luminaire, you can order your luminaire directly afterwards.



**NEW**

# INTERO-LINE

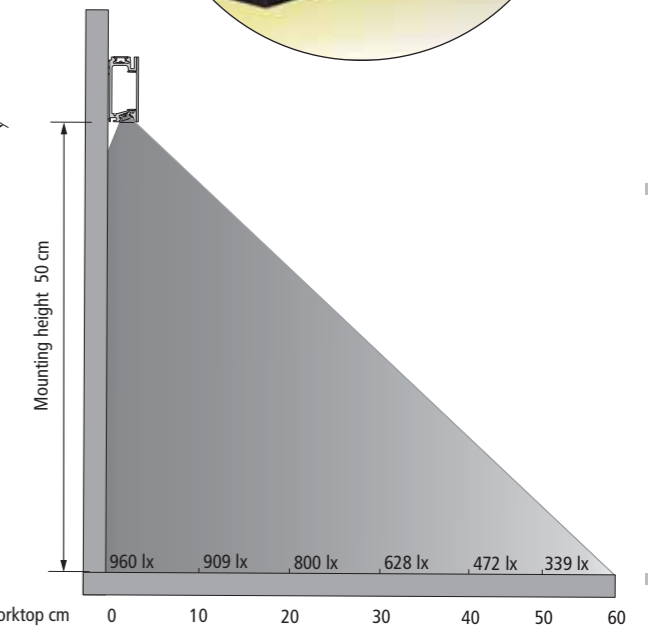
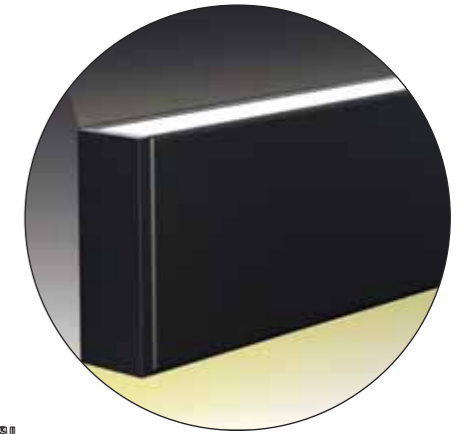
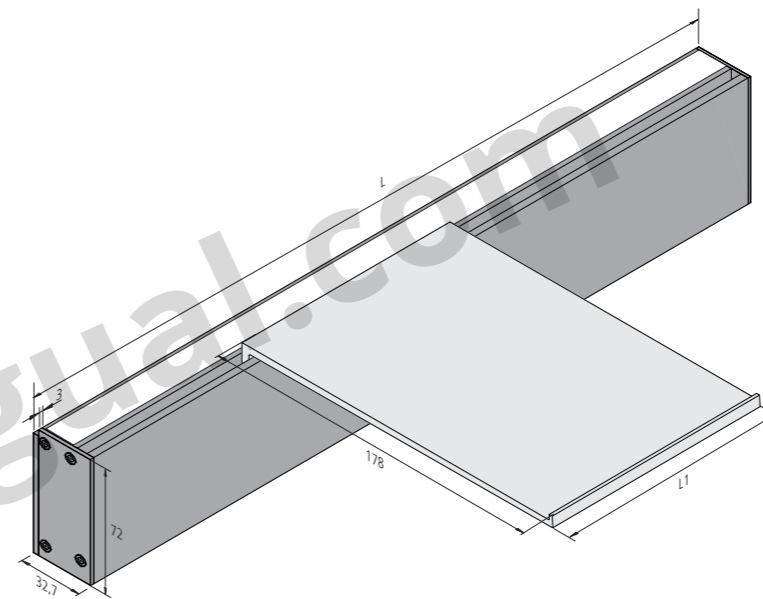
Configurable wall luminaire „Up & Down“



**Life:** L70/B10 ≥ 50.000 hours  
**Energy efficiency:** Up-Light: 92 lm/W; luminaire: 1240 lm/m (38 lm/W)  
**Colour rendering:** Ra/CRI > 90

### Special features:

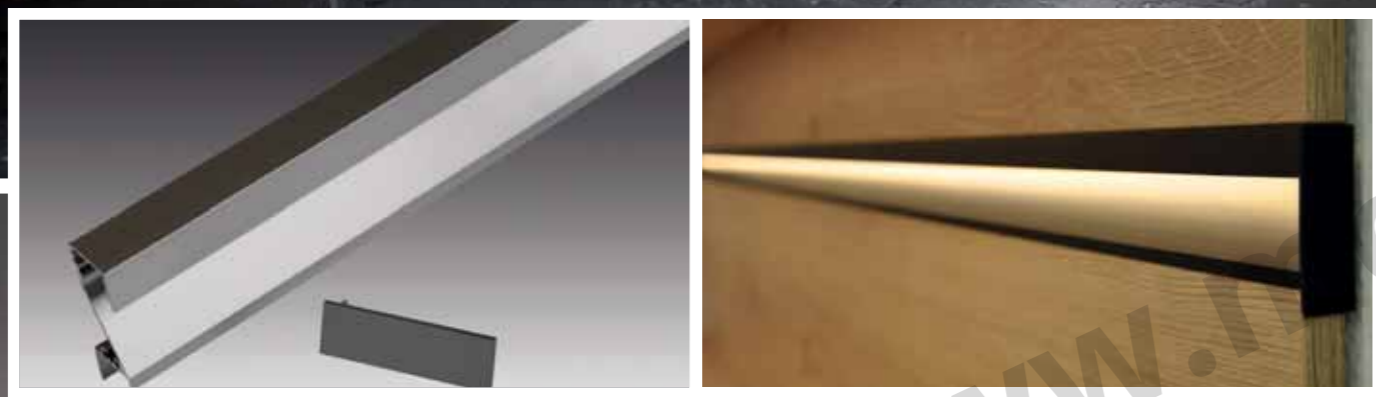
- wall mounted luminaire can be planned online in the configurator



Configurator p. 89



Illustration	Article No.	Description	Features	Weight approx.
	610 026 431 01	Intero-Line 24V 600mm 16,8W black	• incl. 2x connection cable 2.4m with dynamic plug for connection to dynamic controller	1140 g
	610 026 481 01	Intero-Line 24V 600mm 16,8W stainless steel optic		1140 g
	610 026 330 01	Intero-Line 230V 1200mm 36,0W black	• incl. junction box for 230V • incl. 1x Dynamic-Controller • Please order the desired remote control separately!	1530 g
	610 026 380 01	Intero-Line 230V 1200mm 36,0W stainless steel optic		1530 g
	615 000 345 01	Intero-Line Tray 200mm black		383 g
	615 000 346 01	Intero-Line Tray 200mm stainless steel optic		381 g
	615 000 345 02	Intero-Line Tray 400mm black	• for variable use in any position	767 g
	615 000 346 02	Intero-Line Tray 400mm stainless steel optic		1140 g
	615 000 345 03	Intero-Line Tray 600mm black		1137 g
	615 000 346 03	Intero-Line Tray 600mm stainless steel optic		1140 g
	213 010 102 53	Intero-Line 1 hook black	• for variable use in any position	2 g
	213 010 102 58	Intero-Line 1 hook stainless steel optic		2 g



# TOP-LINE

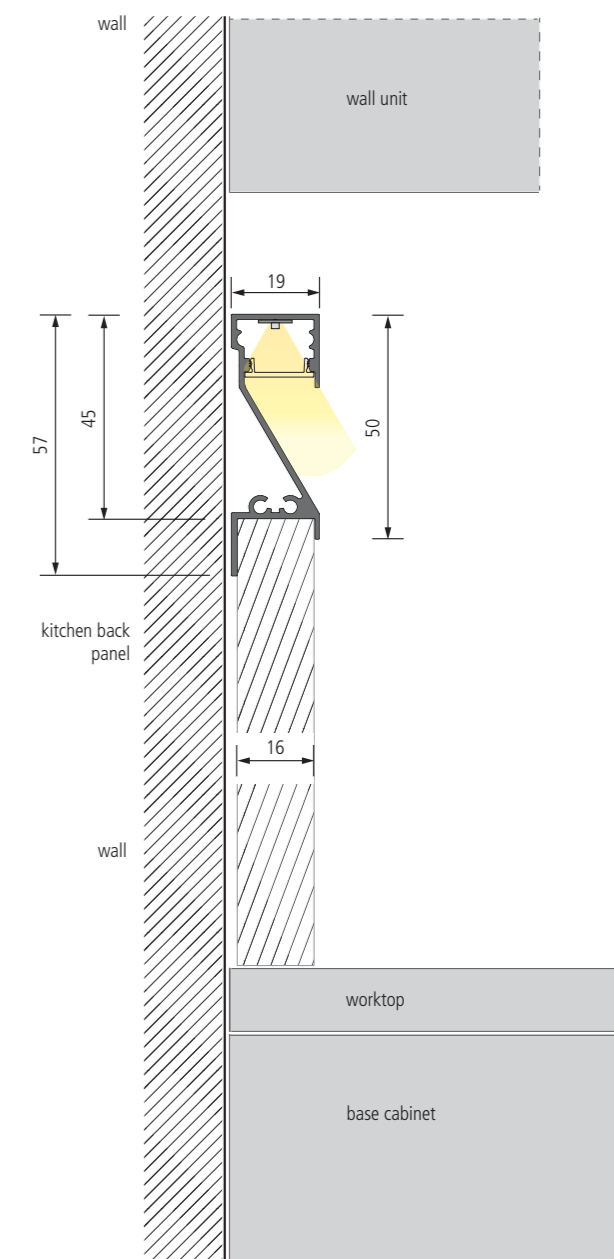
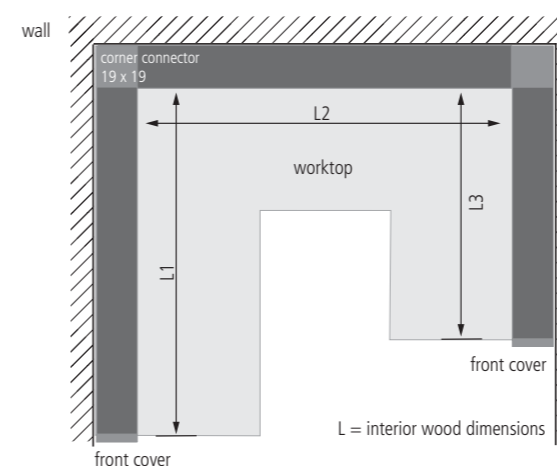
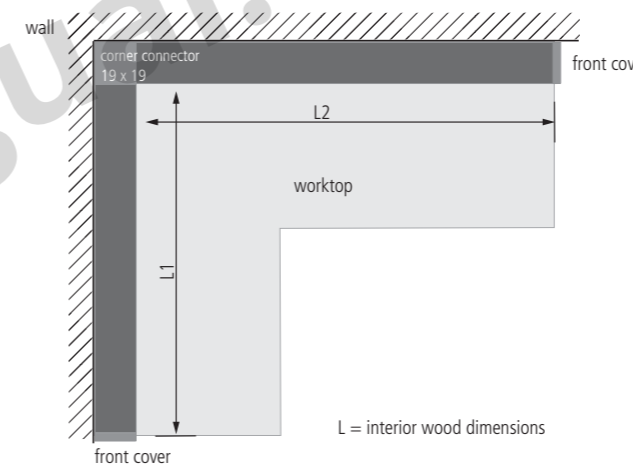
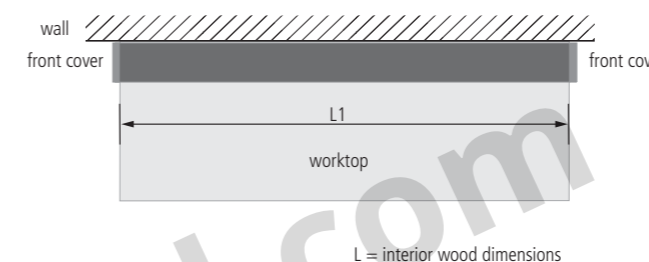
Top mounted luminaire for back panels



**Connection:** LED transformer DC 24 V  
**Energy efficiency:** depending on the selected Tape

### Special features:

- top mounted luminaire can be planned online in the configurator

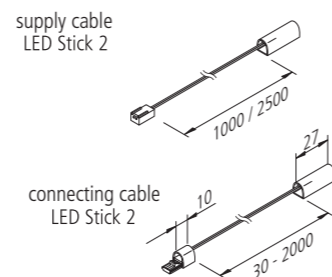
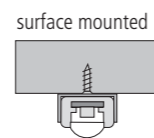
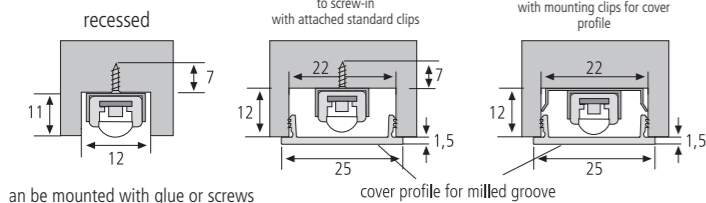
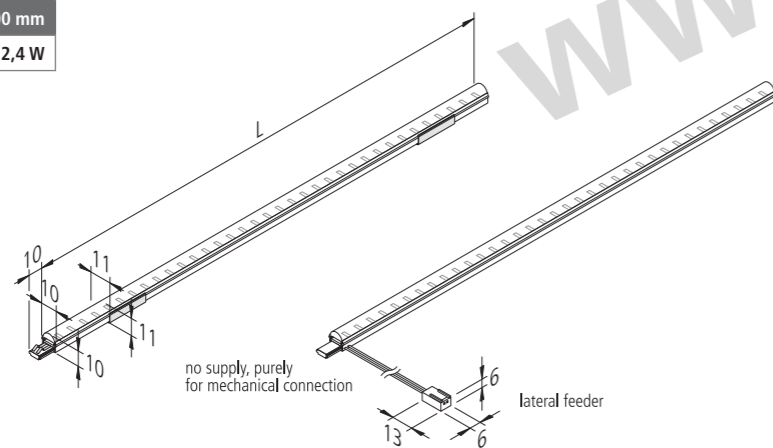


Configurator p. 89





L:	200 mm	300 mm
Wattage:	1,6 W	2,4 W



# STICK 2

Small, plug-in LED stick without dark zones



**Connection:** LED transformer DC 24 V  
**Life:** L70/B10 ≥ 60.000 hours  
**Energy efficiency:** LED 98 lm/W; luminaire: 600 lm/m (75 lm/W)  
**Colour rendering:** xw-nw: Ra/CRI > 95, cw: Ra /CRI > 85

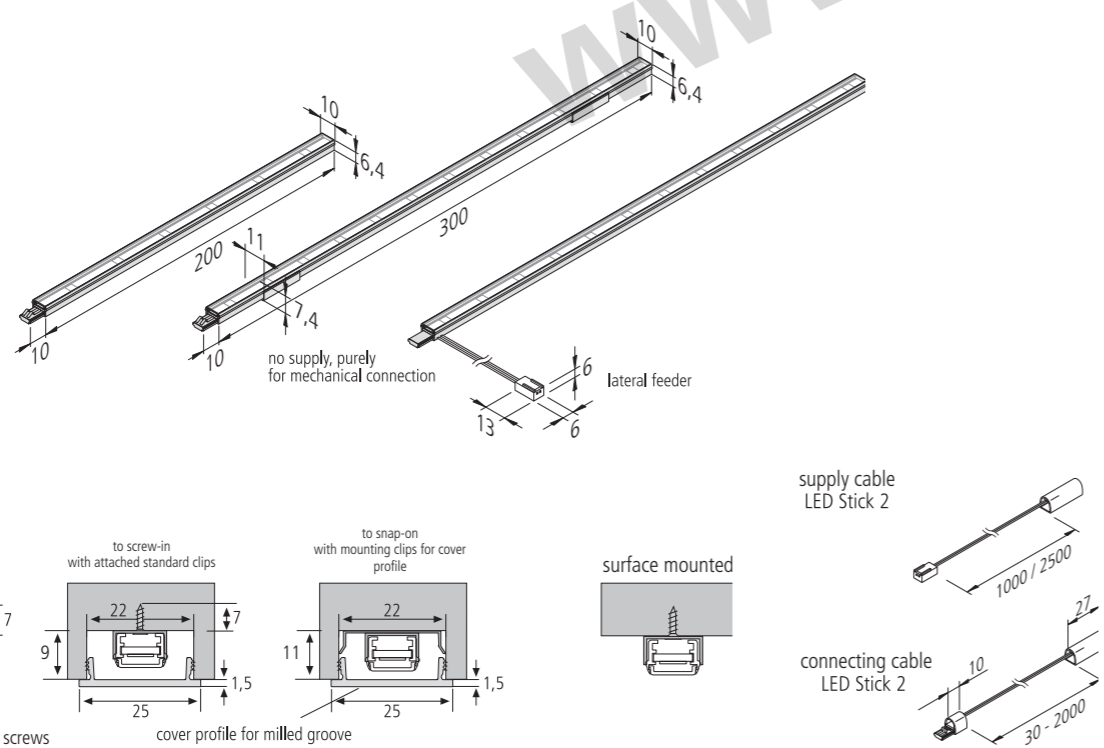
LED Stick 2		xw	ww	nw	cw
0,5m	65° Ø 470	1520 lx	1620 lx	1780 lx	1960 lx
1,0m	Ø 940	380 lx	405 lx	445 lx	490 lx
1,5m	Ø 1410	169 lx	180 lx	198 lx	218 lx
2,0m	Ø 1880	95 lx	101 lx	111 lx	123 lx
2,5m	Ø 2350	61 lx	65 lx	71 lx	78 lx

### Special features:

- maximum 20 W or 2,4 m per supply cable
- without dark zones
- LED Stick with lateral feeder for continuous strip lighting

Illustration	Article No.	Description	Features	Weight approx.	
	202 021 222 04	LED Stick 2 200mm 24 LED 1,6W xw	• colour appearance xw (extra warm white) appr. 2700K	25 g	
	202 021 223 04	LED Stick 2 300mm 36 LED 2,4W xw		35 g	
	202 021 222 02	LED Stick 2 200mm 24 LED 1,6W ww	• colour appearance ww (warm white) appr. 3000K	25 g	
	202 021 223 02	LED Stick 2 300mm 36 LED 2,4W ww		35 g	
	202 021 223 22	LED Stick 2 300mm 36 LED 2,4W ww SE	• incl. lateral feeder 2,5m	60 g	
	202 021 222 05	LED Stick 2 200mm 24 LED 1,6W nw	• colour appearance nw (neutral white) appr. 4000K	25 g	
	202 021 223 05	LED Stick 2 300mm 36 LED 2,4W nw		35 g	
	202 021 223 25	LED Stick 2 300mm 36 LED 2,4W nw SE	• incl. lateral feeder 2,5m	60 g	
	202 021 222 01	LED Stick 2 200mm 24 LED 1,6W cw	• colour appearance cw (cool white) appr. 5000K	25 g	
	202 021 223 01	LED Stick 2 300mm 36 LED 2,4W cw		35 g	
		215 270 625 31	Supply cable LED Stick 2 1000mm	• connection between transformer and first Stick	11 g
		215 270 625 11	Supply cable LED Stick 2 2500mm		25 g
	215 270 600 21	Connecting cable LED Stick 2 30mm	• connection between two Sticks	3 g	
	215 270 603 01	Connecting cable LED Stick 2 300mm		6 g	
	215 270 607 01	Connecting cable LED Stick 2 700mm		8 g	
	215 270 610 11	Connecting cable LED Stick 2 1000mm		11 g	
	215 270 620 11	Connecting cable LED Stick 2 2000mm		20 g	
		217 032 401 01	Push switch LED Stick 2 anodized aluminium	• 50mm • switches all following Sticks	4 g
	202 040 107 03	Mounting clip LED Stick 2	• included with Stick • incl. 2 screws and 2 adhesive strips	3 g	
	206 040 011 01	Transformer LED 24/ 15W DC 24V	• mains cable 2m with Euro plug • 12-way distributor	167 g	
	206 040 012 01	Transformer LED 24/ 30W DC 24V		330 g	
	206 040 019 01	Transformer LED 24/ 75W DC 24V		460 g	
	615 000 505 26	24V Dim-Controller radio 80W incl. 4 channel remote control black	• to dim and switch • with 12-way distributor	130 g	
	615 000 505 23	24V Dim-Controller radio 80W incl. surface mounted remote control stainless steel look		105 g	
	615 000 505 24	24V Dim-Controller radio 80W incl. recessed remote control stainless steel look		80 g	
Accessories	Profiles from page 79				





# POWER-STICK S

Powerful small plug-in LED stick without dark zones



**Connection:** 220 - 240V / 50 - 60Hz  
**Life:** L70/B10 ≥ 40.000 hours  
**Energy efficiency:** LED 113 lm/W; luminaire: 935 lm/m (70 lm/W)  
**Colour rendering:** Ra/CRI > 95

LED Power-Stick S			
	xw	ww	nw
0,5m	1660 lx	1700 lx	1800 lx
1,0m	415 lx	425 lx	450 lx
1,5m	184 lx	189 lx	200 lx
2,0m	104 lx	106 lx	113 lx
2,5m	66 lx	68 lx	72 lx

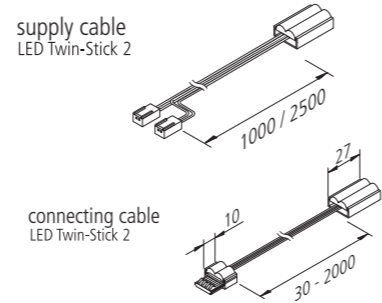
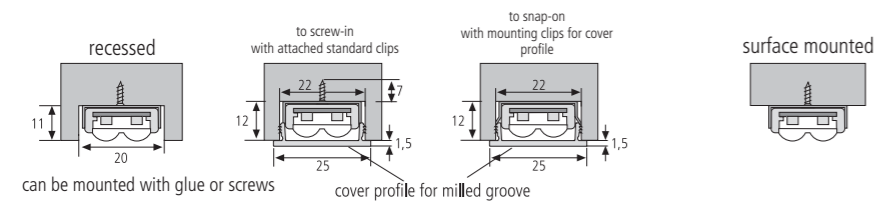
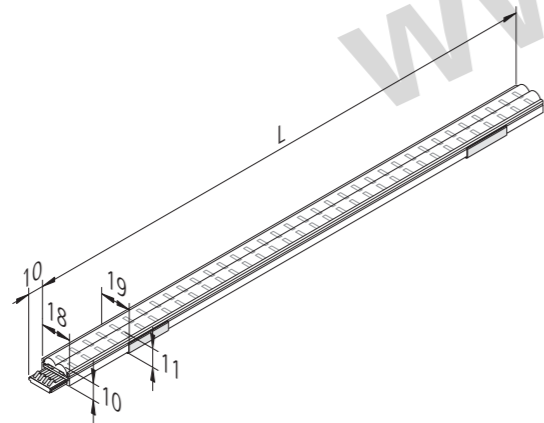
### Special features:

- max. 32 W or 2,4 m per supply cable
- without dark zones
- LED Stick with lateral feeder for continuous strip lighting

Illustration	Article No.	Description	Features	Weight approx.
	202 024 101 04	LED Power-Stick S 200mm 6 LED 2,7W xw	• colour appearance xw (extra warm white) appr. 2700K	25 g
	202 024 102 04	LED Power-Stick S 300mm 12 LED 4,0W xw		35 g
	202 024 112 04	LED Power-Stick S 300mm 12 LED 4,0W xw SE 2,5m	• incl. lateral feeder 2,5m	60 g
	202 024 101 02	LED Power-Stick S 200mm 6 LED 2,7W ww	• colour appearance ww (warm white) appr. 3000K	25 g
	202 024 102 02	LED Power-Stick S 300mm 12 LED 4,0W ww		35 g
	202 024 101 03	LED Power-Stick S 200mm 6 LED 2,7W nw	• colour appearance nw (neutral white) appr. 4000K	25 g
202 024 102 03	LED Power-Stick S 300mm 12 LED 4,0W nw		35 g	
	215 270 625 31	Supply cable LED Stick 2 1000mm	• connection between transformer and first Stick	11 g
	215 270 625 11	Supply cable LED Stick 2 2500mm		25 g
	215 270 600 21	Connecting cable LED Stick 2 30mm	• connection between two Sticks	3 g
	215 270 603 01	Connecting cable LED Stick 2 300mm		6 g
	215 270 607 01	Connecting cable LED Stick 2 700mm		8 g
	215 270 610 11	Connecting cable LED Stick 2 1000mm		11 g
	215 270 620 11	Connecting cable LED Stick 2 2000mm		20 g
	217 032 401 01	Push switch LED Stick 2 anodized aluminium	• 50mm • switches all following Sticks	4 g
	202 040 107 03	Mounting clip LED Stick 2	• included with Stick • incl. 2 screws and 2 adhesive strips	3 g
	206 040 011 01	Transformer LED 24/ 15W DC 24V	• mains cable 2m with Euro plug • 12-way distributor	167 g
	206 040 012 01	Transformer LED 24/ 30W DC 24V		330 g
	206 040 019 01	Transformer LED 24/ 75W DC 24V		460 g
	615 000 505 26	24V Dim-Controller radio 80W incl. 4 channel remote control black	• to dim and switch • with 12-way distributor	130 g
	615 000 505 23	24V Dim-Controller radio 80W incl. surface mounted remote control stainless steel look		105 g
	615 000 505 24	24V Dim-Controller radio 80W incl. recessed remote control stainless steel look		80 g
	Accessories	Profiles from page 79		



L:	200 mm	300 mm
Wattage:	3,0 W	4,4 W



# TWIN-STICK 2

Small plug-in LED stick without dark zones



**Connection:** LED transformer DC 24 V  
**Life:** L70/B10 ≥ 60.000 hours  
**Energy efficiency:** LED 98 lm/W; luminaire: **1140 lm/m** (78 lm/W)  
**Colour rendering:** ww+nw: Ra/CRI > 95, cw: Ra/CRI > 85

LED Twin-Stick 2		ww	nw	cw
0,5m	55° Ø 450	2600 lx	2820 lx	3120 lx
1,0m	Ø 900	650 lx	705 lx	780 lx
1,5m	Ø 1350	289 lx	313 lx	347 lx
2,0m	Ø 1800	163 lx	176 lx	195 lx
2,5m	Ø 2250	104 lx	113 lx	125 lx

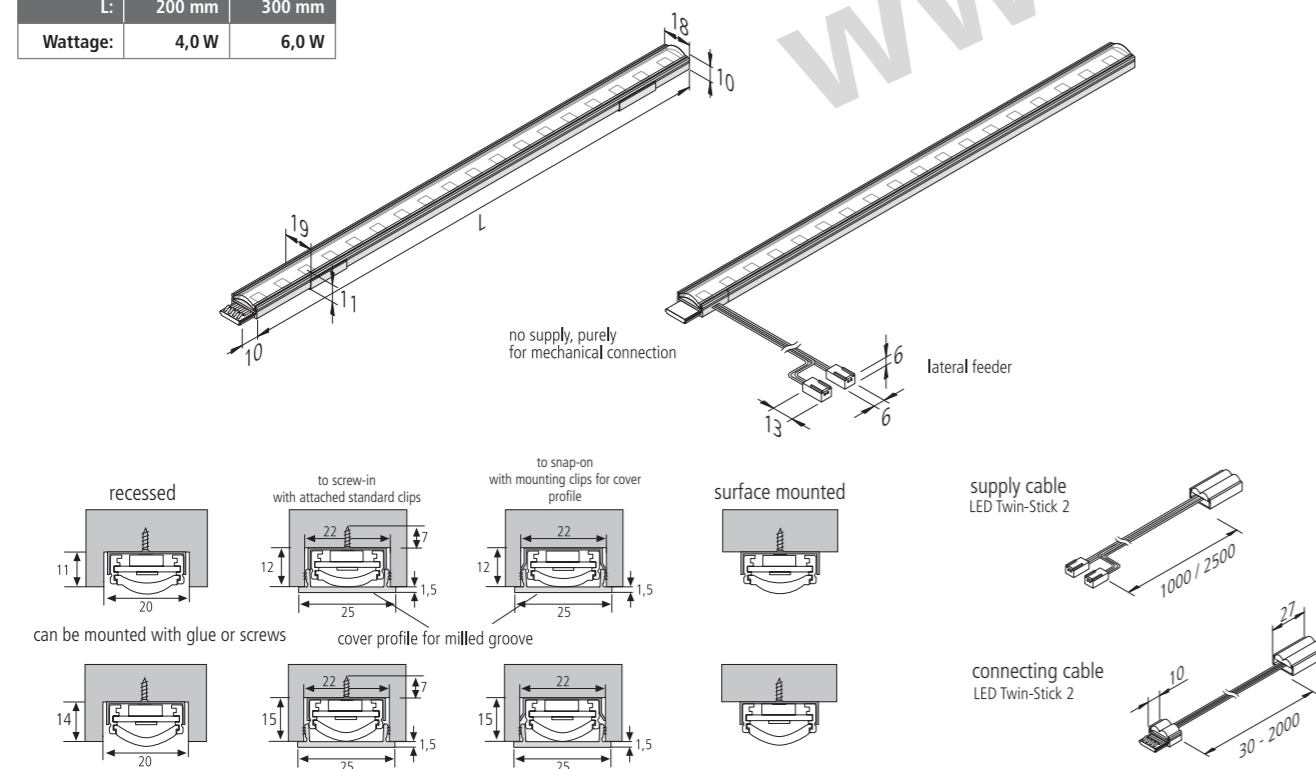
### Special features:

- maximum 36 W or 2,4 m per supply cable
- without dark zones

Illustration	Article No.	Description	Features	Weight approx.
	202 021 232 02	LED Twin-Stick 2 200mm 48 LED 3,0W ww	• colour appearance ww (warm white) appr. 3000K	45 g
	202 021 233 02	LED Twin-Stick 2 300mm 72 LED 4,4W ww		68 g
	202 021 232 05	LED Twin-Stick 2 200mm 48 LED 3,0W nw	• colour appearance nw (neutral white) appr. 4000K	45 g
	202 021 233 05	LED Twin-Stick 2 300mm 72 LED 4,4W nw		68 g
	202 021 232 01	LED Twin-Stick 2 200mm 48 LED 3,0W cw	• colour appearance cw (cool white) appr. 5000K	45 g
	202 021 233 01	LED Twin-Stick 2 300mm 72 LED 4,4W cw		68 g
	215 270 625 32	Supply cable LED Twin-Stick 2 1000mm	• connection between transformer and first Twin-Stick	21 g
	215 272 625 02	Supply cable LED Twin-Stick 2 2500mm		40 g
	215 270 600 22	Connecting cable LED Twin-Stick 2 30mm	• connection between two Twin-Sticks	5 g
	215 270 603 02	Connecting cable LED Twin-Stick 2 300mm		10 g
	215 270 607 02	Connecting cable LED Twin-Stick 2 700mm		16 g
	215 270 610 12	Connecting cable LED Twin-Stick 2 1000mm		21 g
	215 270 620 12	Connecting cable LED Twin-Stick 2 2000mm		40 g
	217 032 402 01	LED Twin-Stick 2 dip switch anodized aluminium	• 50mm • switches all following Twin-Sticks	7 g
	202 040 107 04	Mounting clip LED Twin-Stick 2	• included with Twin-Stick • incl. 2 screws and 2 adhesive strips	4 g
	206 040 011 01	Transformer LED 24/ 15W DC 24V	• mains cable 2m with Euro plug • 12-way distributor	167 g
	206 040 012 01	Transformer LED 24/ 30W DC 24V		330 g
	206 040 019 01	Transformer LED 24/ 75W DC 24V		460 g
	615 000 505 26	24V Dim-Controller radio 80W incl. 4 channel remote control black	• to dim and switch • with 12-way distributor	130 g
	615 000 505 23	24V Dim-Controller radio 80W incl. surface mounted remote control stainless steel look		105 g
	615 000 505 24	24V Dim-Controller radio 80W incl. recessed remote control stainless steel look		80 g
<b>Accessories</b>		<b>Profiles from page 79</b>		



L:	200 mm	300 mm
Wattage:	4,0 W	6,0 W



# POWER-STICK T

Powerful small plug-in LED stick without dark zones



**Connection:** LED transformer DC 24 V  
**Life:** L70/B10 ≥ 60.000 hours  
**Energy efficiency:** LED 113 lm/W; luminaire: **1505 lm/m** (75 lm/W)  
**Colour rendering:** Ra/CRI > 95

LED Power-Stick T					
		xw	ww	nw	cw
0,5m	85° Ø 560	4000 lx	4080 lx	4260 lx	4480 lx
1,0m	Ø 1120	1000 lx	1020 lx	1065 lx	1120 lx
1,5m	Ø 1680	444 lx	453 lx	473 lx	498 lx
2,0m	Ø 2240	250 lx	255 lx	266 lx	280 lx
2,5m	Ø 2800	160 lx	163 lx	170 lx	179 lx

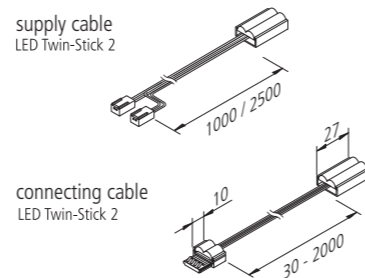
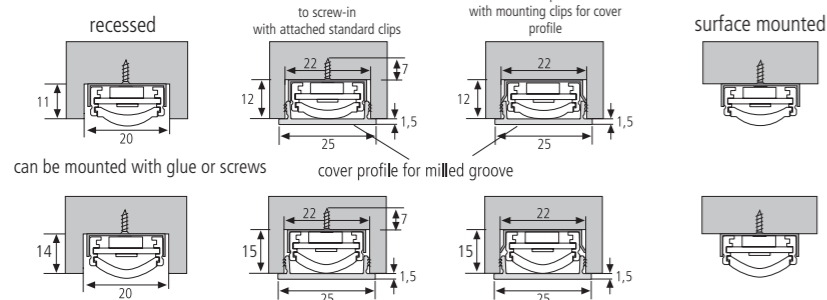
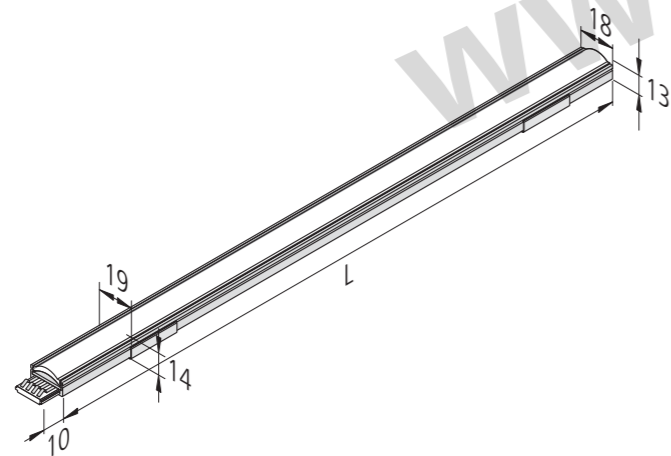
### Special features:

- max. 60 W or 3 m per supply cable
- without dark zones
- LED Stick with lateral feeder for continuous strip lighting

Illustration	Article No.	Description	Features	Weight approx.	
	202 023 901 04	LED Power-Stick T 200mm 12 LED 4W xw	• colour appearance xw (extra warm white) approx. 2700K	45 g	
	202 023 902 04	LED Power-Stick T 300mm 18 LED 6W xw		68 g	
	202 023 902 14	LED Power-Stick T 300mm 18 LED 6W xw SE 2,5m	• incl. lateral feeder 2,5m	110 g	
	202 023 901 02	LED Power-Stick T 200mm 12 LED 4W ww		45 g	
	202 023 902 02	LED Power-Stick T 300mm 18 LED 6W ww	• colour appearance ww (warm white) approx. 3000K	68 g	
	202 023 901 03	LED Power-Stick T 200mm 12 LED 4W nw		45 g	
	202 023 902 03	LED Power-Stick T 300mm 18 LED 6W nw	• colour appearance nw (neutral white) approx. 4000K	68 g	
	202 023 902 13	LED Power-Stick T 300mm 18 LED 6W nw SE 2,5m		110 g	
		215 270 625 32	Supply cable LED Twin-Stick 2 1000mm	• connection between transformer and first Twin-Stick	21 g
		215 272 625 02	Supply cable LED Twin-Stick 2 2500mm		40 g
	215 270 600 22	Connecting cable LED Twin-Stick 2 30mm	• connection between two Twin-Sticks	5 g	
	215 270 603 02	Connecting cable LED Twin-Stick 2 300mm		10 g	
	215 270 607 02	Connecting cable LED Twin-Stick 2 700mm		16 g	
	215 270 610 12	Connecting cable LED Twin-Stick 2 1000mm		21 g	
	215 270 620 12	Connecting cable LED Twin-Stick 2 2000mm		40 g	
	217 032 402 01	LED Twin-Stick 2 dip switch anodized aluminium	• 50mm • switches all following Twin-Sticks	7 g	
	202 040 107 04	Mounting clip LED Twin-Stick 2	• included with Twin-Stick • incl. 2 screws and 2 adhesive strips	4 g	
	206 040 011 01	Transformer LED 24/ 15W DC 24V	• mains cable 2m with Euro plug • 12-way distributor	167 g	
	206 040 012 01	Transformer LED 24/ 30W DC 24V		330 g	
	206 040 019 01	Transformer LED 24/ 75W DC 24V		460 g	
	615 000 505 26	24V Dim-Controller radio 80W incl. 4 channel remote control black	• to dim and switch • with 12-way distributor	130 g	
	615 000 505 23	24V Dim-Controller radio 80W incl. surface mounted remote control stainless steel look		105 g	
	615 000 505 24	24V Dim-Controller radio 80W incl. recessed remote control stainless steel look		80 g	
	Accessories	Profiles from page 79			



L:	200 mm	300 mm
Wattage:	4,0 W	6,0 W



\* max. 10 lamps on one DALI-Controller

# POWER-STICK TF

Powerful small plug-in LED stick with homogeneous planar light



**Connection:** LED transformer DC 24 V  
**Life:** L70/B10 ≥ 60.000 hours  
**Energy efficiency:** LED 110 lm/W; luminaire: **1700 lm/m** (85 lm/W)  
**Colour rendering:** Ra/CRI > 90

LED Power-Stick TF		ww	nw
0,5m	∅ 610	2520 lx	2720 lx
1,0m	∅ 1220	630 lx	680 lx
1,5m	∅ 1830	280 lx	302 lx
2,0m	∅ 2440	158 lx	170 lx
2,5m	∅ 3050	101 lx	109 lx

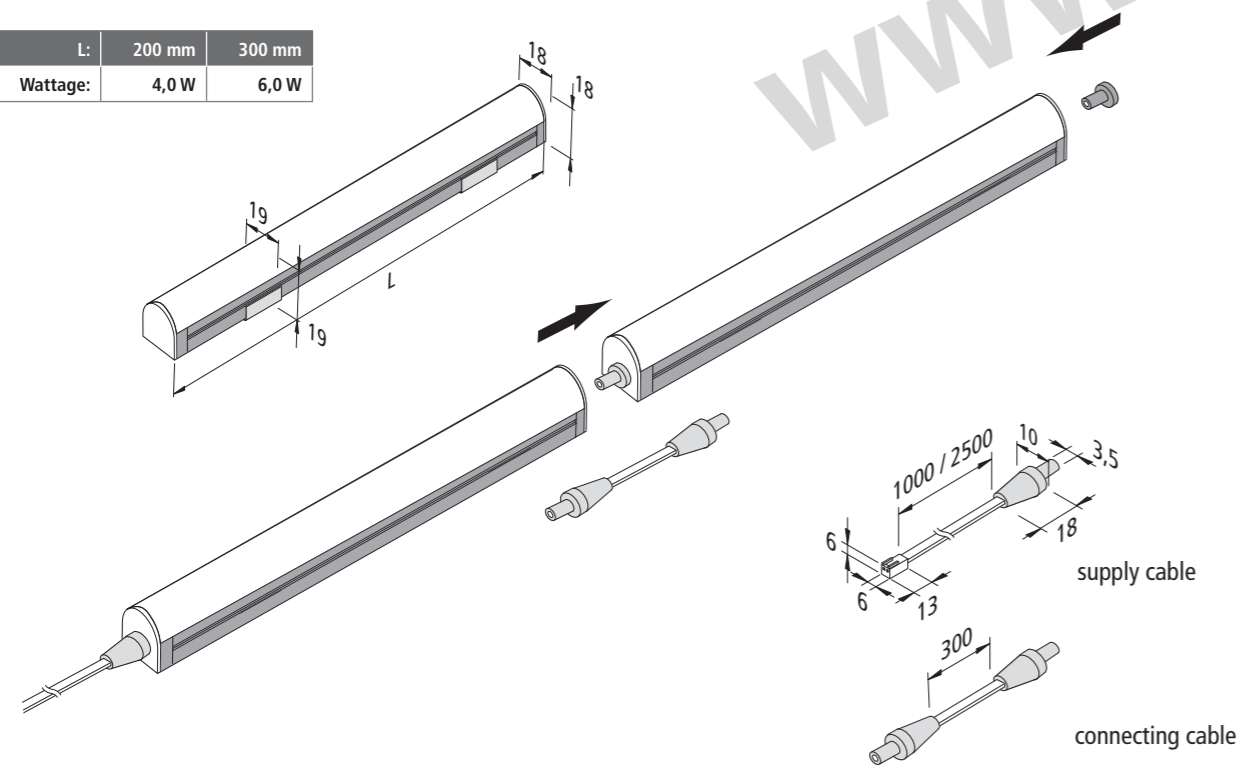
### Special features:

- max. 60 W or 3 m per supply cable
- without dark zones
- without visible luminous spots

Illustration	Article No.	Description	Features	Weight approx.
	202 026 401 02	LED Power-Stick TF 200mm 4W ww *	• colour appearance ww (warm white) approx. 3000K	45 g
	202 026 402 02	LED Power-Stick TF 300mm 6W ww *		68 g
	202 026 401 03	LED Power-Stick TF 200mm 4W nw *	• colour appearance nw (neutral white) approx. 4000K	45 g
	202 026 402 03	LED Power-Stick TF 300mm 6W nw *		68 g
	215 270 625 32	Supply cable LED Twin-Stick 2 1000mm	• connection between transformer and first Twin-Stick	21 g
	215 272 625 02	Supply cable LED Twin-Stick 2 2500mm		40 g
	215 270 600 22	Connecting cable LED Twin-Stick 2 30mm	• connection between two Twin-Sticks	5 g
	215 270 603 02	Connecting cable LED Twin-Stick 2 300mm		10 g
	215 270 607 02	Connecting cable LED Twin-Stick 2 700mm		16 g
	215 270 610 12	Connecting cable LED Twin-Stick 2 1000mm		21 g
	215 270 620 12	Connecting cable LED Twin-Stick 2 2000mm		40 g
	217 032 402 01	LED Twin-Stick 2 dip switch anodized aluminium	• 50mm • switches all following Twin-Sticks	7 g
	202 040 107 04	Mounting clip LED Twin-Stick 2	• included with Twin-Stick • incl. 2 screws and 2 adhesive strips	4 g
	206 040 011 01	Transformer LED 24/ 15W DC 24V	• mains cable 2m with Euro plug • 12-way distributor	167 g
	206 040 012 01	Transformer LED 24/ 30W DC 24V		330 g
	206 040 019 01	Transformer LED 24/ 75W DC 24V		460 g
	615 000 505 26	24V Dim-Controller radio 80W incl. 4 channel remote control black	• to dim and switch • with 12-way distributor	130 g
	615 000 505 23	24V Dim-Controller radio 80W incl. surface mounted remote control stainless steel look		105 g
	615 000 505 24	24V Dim-Controller radio 80W incl. recessed remote control stainless steel look		80 g
	Accessories	Profiles from page 79		



L:	200 mm	300 mm
Wattage:	4,0 W	6,0 W



# EVO-STICK F2

Powerful pluggable LED stick with homogeneous planar light and IP65



**Connection:** LED transformer DC 24 V  
**Life:** L70/B10 ≥ 50.000 hours  
**Energy efficiency:** LED 129 lm/W; luminaire: **1900 lm/m** (95 lm/W)  
**Colour rendering:** Ra/CRI > 90

LED Evo-Stick F2		Meat R	xw	ww	nw
0,5m	Ø 670	1424 lx	2236 lx	2260 lx	2360 lx
1,0m	Ø 1340	356 lx	559 lx	565 lx	590 lx
1,5m	Ø 2010	158 lx	248 lx	251 lx	262 lx
2,0m	Ø 2680	89 lx	140 lx	141 lx	148 lx
2,5m	Ø 3350	57 lx	89 lx	90 lx	94 lx

### Special features:

- max. 60 W or 3 m per supply cable
- quick and easy installation due to double-sided adhesive tape
- with IP65, suitable for applications requiring higher ingress protection (general humidity, bathroom, kitchen, shops)
- halogen-free cables

Illustration	Article No.	Description	Features	Weight approx.
	202 029 301 04	LED Evo-Stick F2 200mm 28 LED 4W xw	• colour appearance xw (extra warm white) approx. 2700K	50 g
	202 029 302 04	LED Evo-Stick F2 300mm 42 LED 6W xw		72 g
	202 029 301 02	LED Evo-Stick F2 200mm 28 LED 4W ww	• colour appearance ww (warm white) approx. 3000K	50 g
	202 029 302 02	LED Evo-Stick F2 300mm 42 LED 6W ww		72 g
	202 029 301 03	LED Evo-Stick F2 200mm 28 LED 4W nw	• colour appearance nw (neutral white) approx. 4000K	50 g
	202 029 302 03	LED Evo-Stick F2 300mm 42 LED 6W nw		72 g
	202 029 301 05	LED Evo-Stick F2 200mm 28 LED 4W Meat R	• colour appearance Meat R	50 g
	202 029 302 05	LED Evo-Stick F2 300mm 42 LED 6W Meat R		72 g
	215 300 404 22	Supply cable LED Evo-Stick F2 1000mm	• connection between transformer and first LED Evo-Stick	20 g
	215 300 404 21	Supply cable LED Evo-Stick F2 2500mm		41 g
	215 300 404 31	Connecting cable LED Evo-Stick F2 300mm	• connection between two LED Evo-Sticks	10 g
	202 040 107 04	Mounting clip LED Twin-Stick 2	• included with Twin-Stick • incl. 2 screws and 2 adhesive strips	4 g
	206 040 011 01	Transformer LED 24/ 15W DC 24V	• mains cable 2m with Euro plug • 12-way distributor	167 g
	206 040 012 01	Transformer LED 24/ 30W DC 24V		330 g
	206 040 019 01	Transformer LED 24/ 75W DC 24V		460 g
	615 000 505 26	24V Dim-Controller radio 80W incl. 4 channel remote control black	• to dim and switch • with 12-way distributor	130 g
	615 000 505 23	24V Dim-Controller radio 80W incl. surface mounted remote control stainless steel look		105 g
	615 000 505 24	24V Dim-Controller radio 80W incl. recessed remote control stainless steel look		80 g

# WARDROBE TUBE LUMINAIRE

Wardrobe Tube Luminaire with motion-activated switch

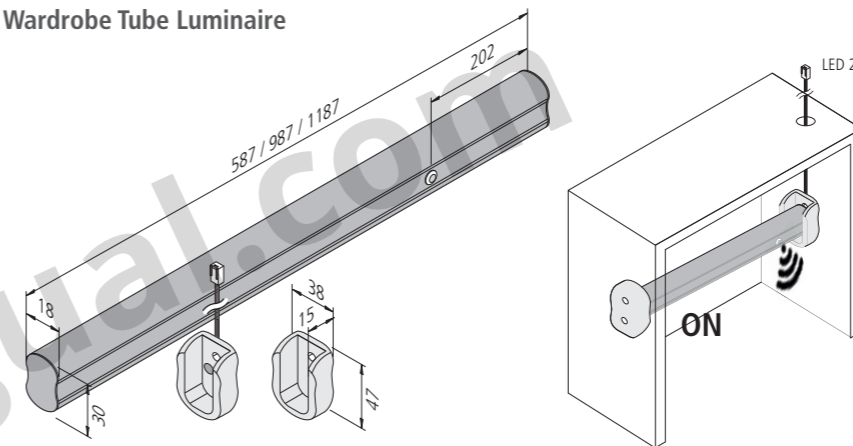


**Connection:** LED transformer DC 24 V  
**Life:** L70/B10 ≥ 50.000 (Q 54.000) hours  
**Energy efficiency:** LED 140 lm/W; luminaire: **385 / 665 / 805 lm (Q:172 / 286 / 344 lm)** (70 lm/W)  
**Colour rendering:** Ra/CRI > 80, (Q: Ra/CRI > 90)

### Special features:

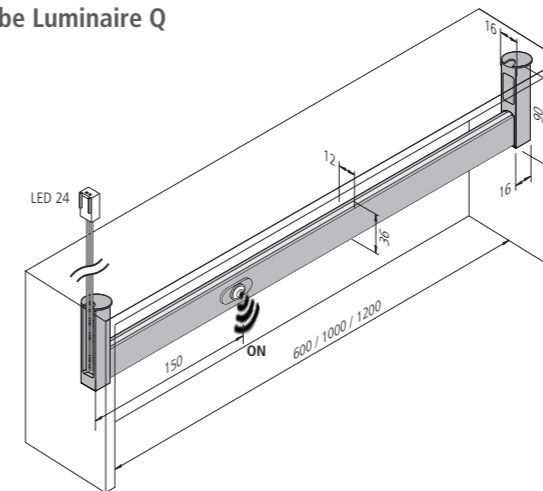
- integrated motion-activated switch with a 30 seconds delay
- can be shortened individually
- Wardrobe Tube Luminaire Q can be fixed to the side and under the shelf (16-19mm)

### Wardrobe Tube Luminaire



Wardrobe Tube Luminaire		0,6m	1m	1,2m
0,5m	110° Ø 620	484 lx	808 lx	968 lx
1,0m	Ø 1240	121 lx	202 lx	242 lx
1,5m	Ø 1860	54 lx	90 lx	108 lx
2,0m	Ø 2480	30 lx	51 lx	61 lx
2,5m	Ø 3100	19 lx	32 lx	39 lx

### Wardrobe Tube Luminaire Q



Wardrobe Tube Luminaire Q		0,6m	1m	1,2m
0,5m	100° Ø 620	260 lx	432 lx	520 lx
1,0m	Ø 1240	65 lx	108 lx	130 lx
1,5m	Ø 1860	29 lx	48 lx	58 lx
2,0m	Ø 2480	16 lx	27 lx	33 lx
2,5m	Ø 3100	10 lx	17 lx	21 lx

Illustration	Article No.	Description	Features	Weight approx.
	202 030 201 01	LED Wardrobe Tube Luminaire 600mm 5,5W	<ul style="list-style-type: none"> <li>• colour appearance nw (neutral white) approx. 4000K</li> <li>• supply cable 2,5m with LED 24 plug</li> <li>• matt chrome</li> </ul>	266 g
	202 030 202 01	LED Wardrobe Tube Luminaire 1000mm 9,5W		380 g
	202 030 203 01	LED Wardrobe Tube Luminaire 1200mm 11,5W		485 g
	202 030 211 01	Wardrobe Tube Luminaire Q 600mm 4,7W nw <b>NEW</b>	<ul style="list-style-type: none"> <li>• colour appearance nw (neutral white) approx. 4000K</li> <li>• supply cable 2,5m with LED 24 plug</li> <li>• black</li> </ul>	430 g
	202 030 212 01	Wardrobe Tube Luminaire Q 1000mm 7,8W nw <b>NEW</b>		565 g
	202 030 213 01	Wardrobe Tube Luminaire Q 1200mm 9,3W nw <b>NEW</b>		633 g
	Accessories	LED transformers 24V from page 230		

Wardrobe Tube Luminaire Q expected to be available from May 2023

[www.hera-online.de](http://www.hera-online.de)



# UP + DOWN

Interior cabinet and worktop luminaire



**Connection:** LED transformer DC 24 V  
**Life:** L70/B10 ≥ 60.000 hours  
**Energy efficiency:** LED 129 lm/W; luminaire: **1070 lm/m** (66 lm/W)  
**Colour rendering:** Ra/CRI > 80

### Special features:

- for 16 mm panels

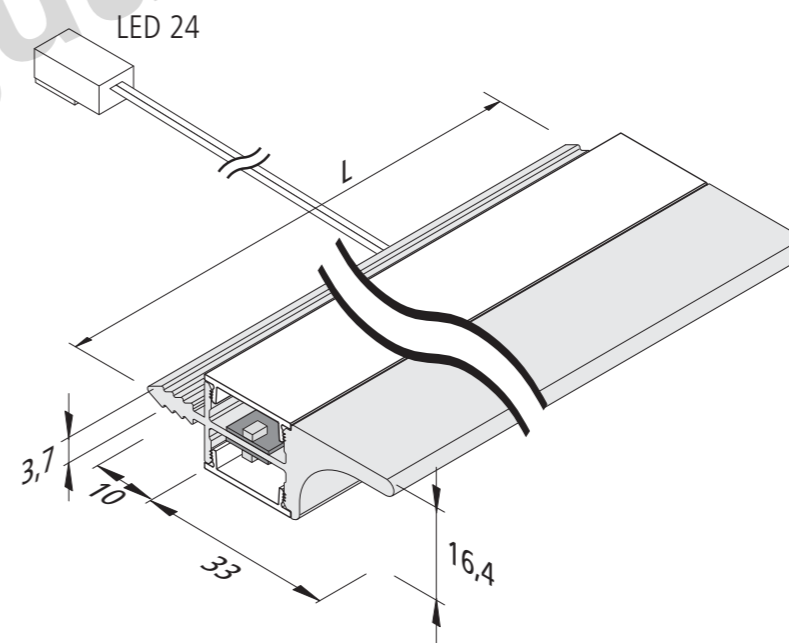
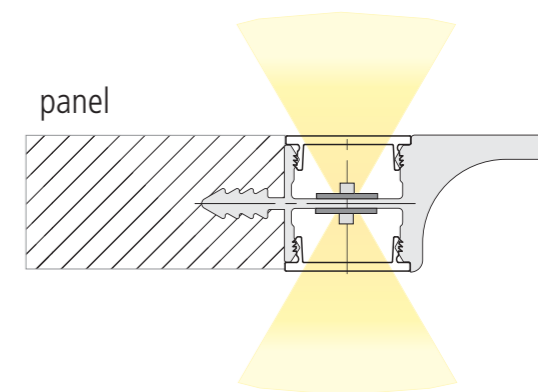
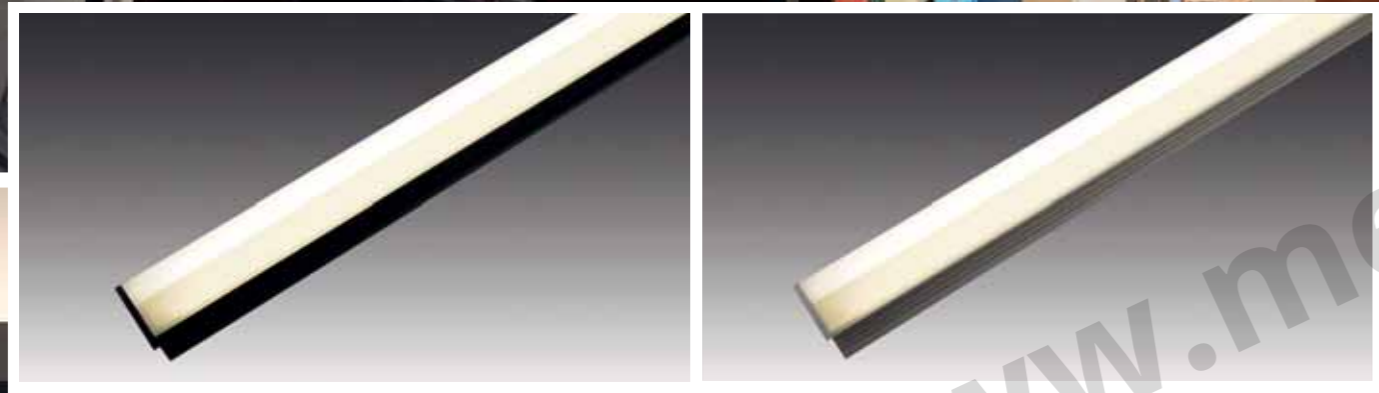


Illustration	Article No.	Description	Features	Weight approx.
	610 022 301 02	Up + Down LED 412mm 7,1W ww	<ul style="list-style-type: none"> <li>• colour appearance ww (warm white) approx. 3000K</li> <li>• supply cable 2,5m with LED 24 plug (centred cable outlet)</li> <li>• stainless steel look</li> <li>• for 16mm panels</li> </ul>	225 g
	610 022 302 02	Up + Down LED 562mm 9,7W ww		300 g
	610 022 303 02	Up + Down LED 862mm 14,9W ww		430 g
	610 022 304 02	Up + Down LED 1162mm 20,0W ww		560 g
	Accessories	LED transformers 24V from page 230		



**NEW**

# BACK-LINE

Back shelf lighting



**Connection:** LED transformer DC 24 V  
**Life:** L70/B10 ≥ 50.000 hours  
**Energy efficiency:** LED 140 lm/W; luminaire: 884 lm/m (100 lm/W)  
**Colour rendering:** Ra/CRI > 80

**Special features:**

- for 19 mm shelves (for 16 mm shelves: 1.5 mm projection)
- no visible luminous spots
- light-emitting in three directions

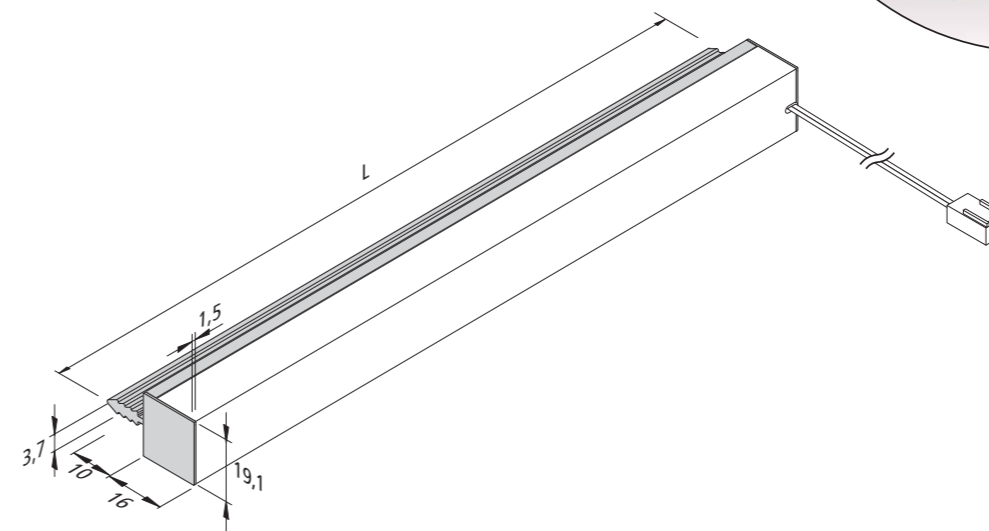


Illustration	Article No.	Description	Features	Weight approx.
	610 026 530 02	Back-Line 560mm 4,5W ww	<ul style="list-style-type: none"> <li>• colour appearance ww (warm white) approx. 3000K</li> <li>• supply cable 2,5m with LED 24 plug</li> <li>• for 19mm floors</li> <li>• black</li> </ul>	155 g
	610 026 530 12	Back-Line 860mm 7,1W ww		220 g
	610 026 530 22	Back-Line 1160mm 9,7W ww		290 g
	610 026 580 02	Back-Line 560mm 4,5W ww	<ul style="list-style-type: none"> <li>• colour appearance ww (warm white) approx. 3000K</li> <li>• supply cable 2,5m with LED 24 plug</li> <li>• for 19mm floors</li> <li>• stainless steel look</li> </ul>	155 g
	610 026 580 12	Back-Line 860mm 7,1W ww		220 g
	610 026 580 22	Back-Line 1160mm 9,7W ww		290 g





# PIPE F

Rotating LED linear luminaire with homogeneous planar light

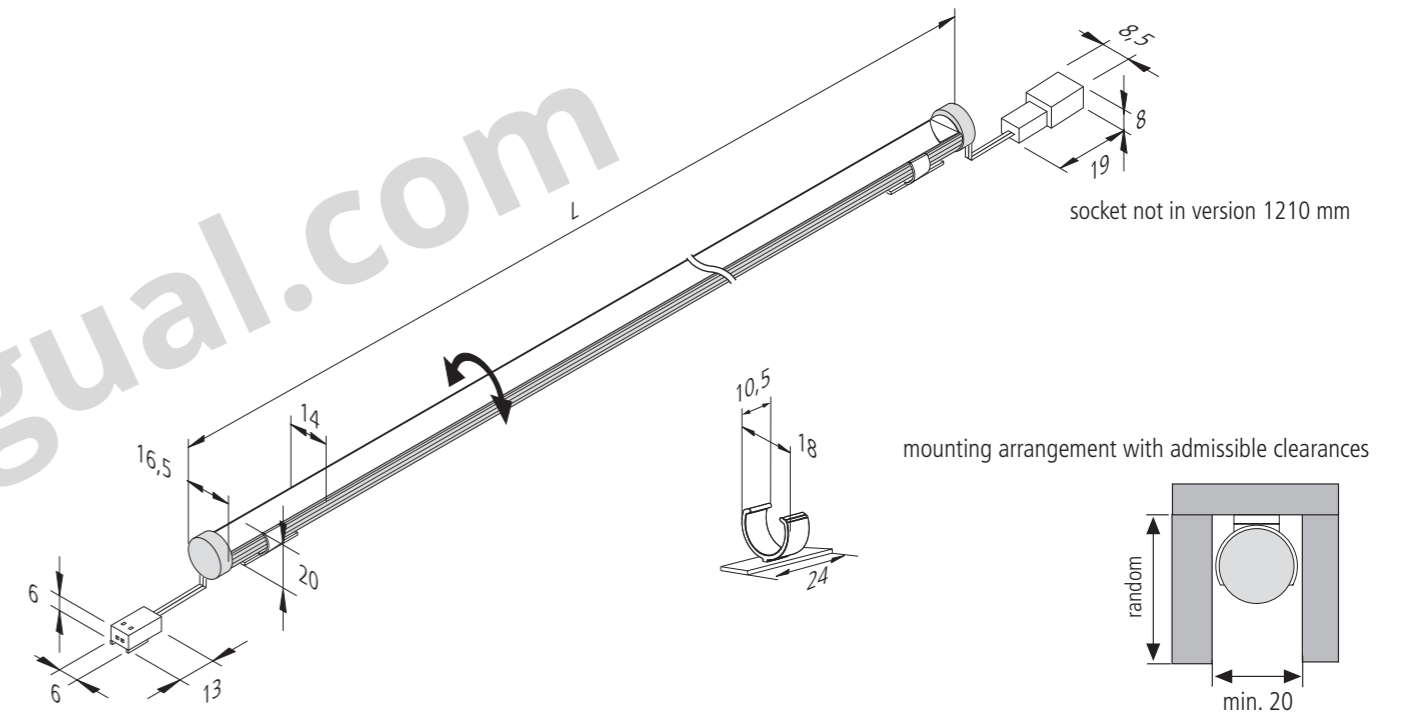


LED Pipe F		ww	nw
0,5m	Ø 650	1324 lx	1360 lx
1,0m	Ø 1300	331 lx	340 lx
1,5m	Ø 1950	147 lx	151 lx
2,0m	Ø 2600	83 lx	85 lx
2,5m	Ø 3250	53 lx	54 lx

**Connection:** LED transformer DC 24 V  
**Life:** L70/B10 ≥ 60.000 hours  
**Energy efficiency:** LED 107 lm/W; luminaire: **1100 lm/m** (51 lm/W)  
**Colour rendering:** Ra/CRI > 95

### Special features:

- LEDs rotating 360°, max. 60 W per supply cable, assembly with screws in wood or with magnet holding clip as accessory, no visible luminous spots



Configurator p. 89



Illustration	Article No.	Description	Features	Weight approx.
	610 016 101 02	LED Pipe F 310mm 5,8W ww	<ul style="list-style-type: none"> <li>colour appearance ww (warm white) approx. 3000K</li> <li>supply cable 25mm with LED 24 plug</li> <li>connecting cable 25mm with LED 24 socket</li> <li>further versions from 1 piece</li> </ul>	65 g
	610 016 102 02	LED Pipe F 610mm 11,4W ww		130 g
	610 016 103 02	LED Pipe F 910mm 17,0W ww		195 g
	610 016 114 02	LED Pipe F 1210mm 22,3W ww	<ul style="list-style-type: none"> <li>supply cable 2,5m with LED 24 plug</li> </ul>	280 g
	610 016 101 03	LED Pipe F 310mm 5,8W nw	<ul style="list-style-type: none"> <li>colour appearance nw (neutral white) approx. 4000K</li> <li>supply cable 25mm with LED 24 plug</li> <li>connecting cable 25mm with LED 24 socket</li> <li>further versions from 1 piece</li> </ul>	65 g
	610 016 102 03	LED Pipe F 610mm 11,4W nw		130 g
610 016 103 03	LED Pipe F 910mm 17,0W nw	195 g		
610 016 114 03	LED Pipe F 1210mm 22,3W nw	<ul style="list-style-type: none"> <li>supply cable 2,5m with LED 24 plug</li> </ul>	280 g	
	215 300 610 01	LED 24 connecting cable 1,0m	<ul style="list-style-type: none"> <li>up to max. 60W usable</li> <li>further information + lengths on page 232</li> </ul>	9 g
	215 300 625 01	LED 24 connecting cable 2,5m		22 g
	213 010 101 57	Magnet holding clip transparent	<ul style="list-style-type: none"> <li>set of 2 incl. magnet 25 x 10 x 3mm</li> </ul>	13 g
Accessories		LED transformers 24V from page 230 / dim-controllers page 238		



**Connection:** LED transformer DC 24 V  
**Life:** L70/B10 ≥ 50.000 hours  
**Energy efficiency:** LED 113 lm/W; luminaire: 1530 lm/m (61 lm/W)  
**Colour rendering:** Ra/CRI > 95

LED Pipe		xw	nw	cw
0,5m	Ø 590	2580 lx	2660 lx	2740 lx
1,0m	Ø 1180	645 lx	665 lx	685 lx
1,5m	Ø 1770	287 lx	296 lx	304 lx
2,0m	Ø 2360	161 lx	166 lx	171 lx
2,5m	Ø 2950	103 lx	106 lx	110 lx

**Special features:**

- LEDs rotating 360°, max. 60 W per supply cable
- assembly with screws in wood or with magnet holding clip as accessory

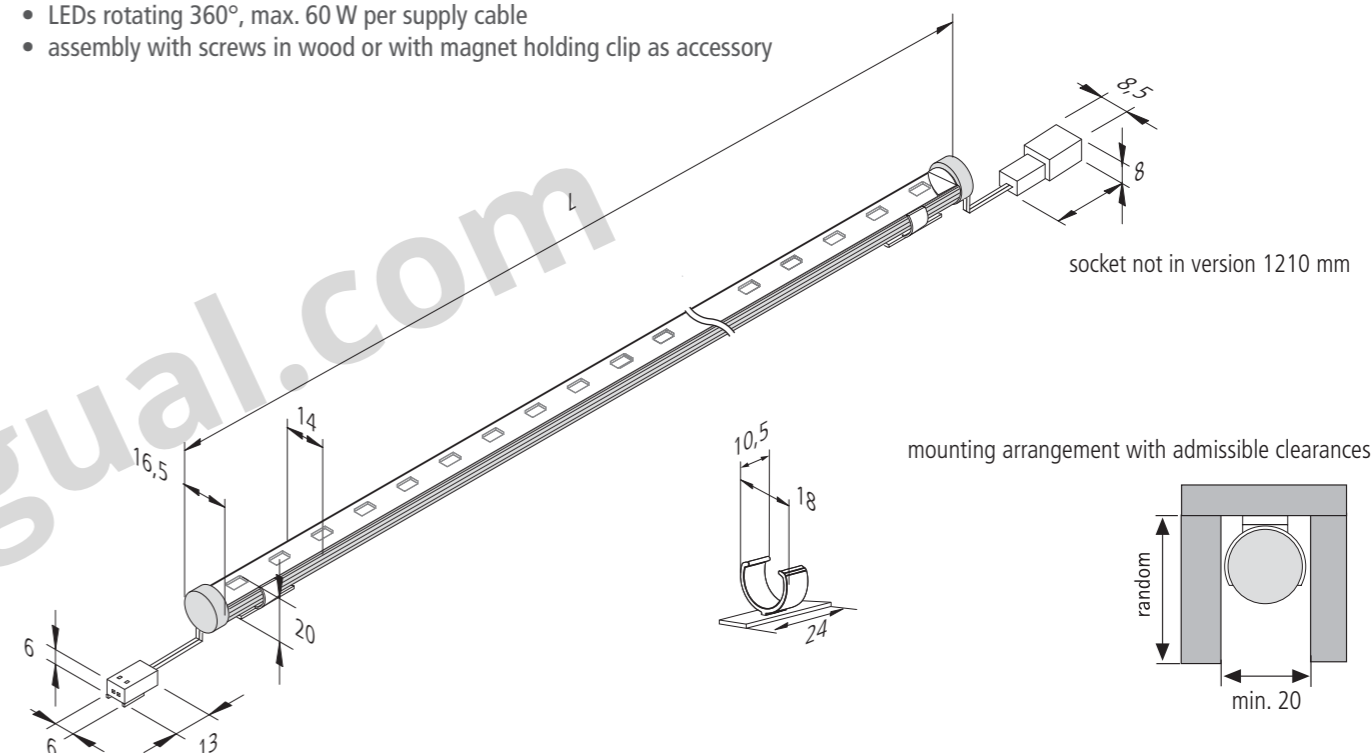


Illustration	Article No.	Description	Features	Weight approx.	
	610 014 911 03	LED Pipe 310mm 7,5W xw	<ul style="list-style-type: none"> <li>• colour appearance xw (extra warm white) approx. 2700K</li> <li>• supply cable 25mm with LED 24 plug</li> <li>• connecting cable 25mm with LED 24 socket</li> <li>• further versions from 10 pieces on request</li> </ul>	65 g	
	610 014 912 03	LED Pipe 610mm 15,0W xw		130 g	
	610 014 913 03	LED Pipe 910mm 22,5W xw		195 g	
	610 014 904 03	LED Pipe 1210mm 30,0W xw		280 g	
		610 014 911 02	LED Pipe 310mm 7,5W ww	<ul style="list-style-type: none"> <li>• colour appearance ww (warm white) approx. 3000K</li> <li>• supply cable 25mm with LED 24 plug</li> <li>• connecting cable 25mm with LED 24 socket</li> <li>• further versions from 10 pieces on request</li> </ul>	65 g
		610 014 912 02	LED Pipe 610mm 15,0W ww		130 g
		610 014 913 02	LED Pipe 910mm 22,5W ww		195 g
		610 014 904 02	LED Pipe 1210mm 30,0W ww		280 g
		610 014 911 01	LED Pipe 310mm 7,5W nw	<ul style="list-style-type: none"> <li>• colour appearance nw (neutral white) approx. 4000K</li> <li>• supply cable 25mm with LED 24 plug</li> <li>• connecting cable 25mm with LED 24 socket</li> <li>• further versions from 10 pieces on request</li> </ul>	65 g
		610 014 912 01	LED Pipe 610mm 15,0W nw		130 g
		610 014 913 01	LED Pipe 910mm 22,5W nw		195 g
		610 014 904 01	LED Pipe 1210mm 30,0W nw		280 g
	215 300 610 01	LED 24 connecting cable 1,0m	<ul style="list-style-type: none"> <li>• up to max. 60W usable</li> <li>• further information + lengths on page 232</li> </ul>	9 g	
	215 300 625 01	LED 24 connecting cable 2,5m		22 g	
	213 010 101 57	Magnet holding clip transparent	<ul style="list-style-type: none"> <li>• set of 2 incl. magnet 25 x 10 x 3mm</li> </ul>	13 g	
	Accessories	LED transformers 24V from page 230 / dim-controllers page 238			



# DYNAMIC IN-STICK SF

Lean recessed LED luminaire with adjustable colour appearance

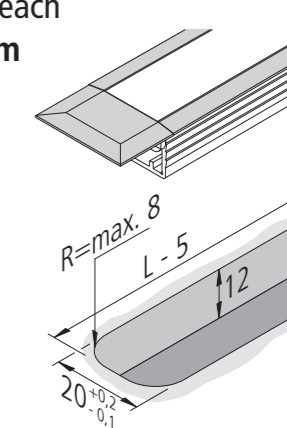
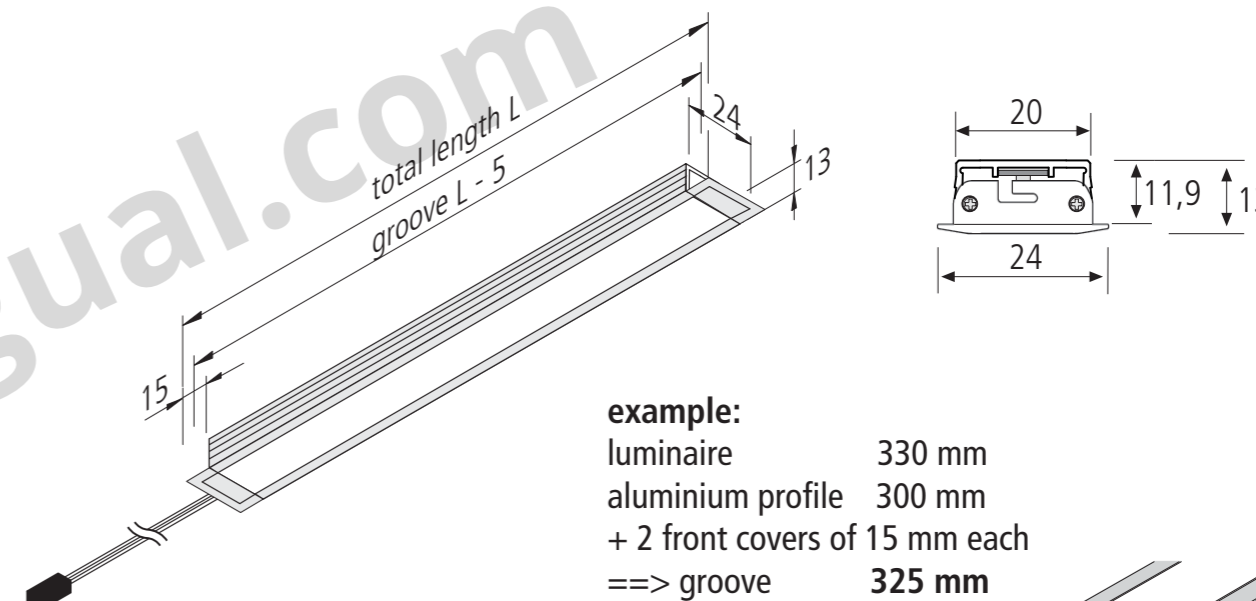


**Connection:** LED transformer DC 24 V  
**Life:** L70/B10 ≥ 50.000 hours  
**Energy efficiency:** LED 129 lm/W; luminaire: **574 lm/m** (40 lm/W)  
**Colour rendering:** Ra/CRI > 82

Dynamic LED IN-Stick SF			
	xw	nw	cw
0,5m	1184 lx	1288 lx	1356 lx
1,0m	296 lx	322 lx	339 lx
1,5m	132 lx	143 lx	151 lx
2,0m	74 lx	81 lx	85 lx
2,5m	47 lx	52 lx	54 lx

### Special features:

- only 12 mm thickness
- no visible luminous spots
- colour appearance adjustable between approx. 2700 K (xw) and 5000 K (cw)



Configurator p. 89

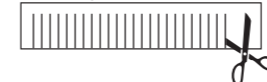


Illustration	Article No.	Description	Features	Weight approx.
	610 018 301 01	Dynamic LED IN-Stick SF 330mm 5,2W	<ul style="list-style-type: none"> <li>• colour appearance adjustable between 2700K and 5000K</li> <li>• supply cable 2,5m with Dynamic plug</li> <li>• anodized aluminium</li> <li>• for milled grooves 12 x 20mm</li> <li>• further versions from 1 piece</li> </ul>	90 g
	610 018 302 01	Dynamic LED IN-Stick SF 530mm 8,6W		140 g
	610 018 303 01	Dynamic LED IN-Stick SF 830mm 13,6W		210 g
	610 018 304 01	Dynamic LED IN-Stick SF 1130mm 18,4W		280 g
	Accessories	LED transformer 24V from page 230 / Dynamic-controllers page 237		



# IN-STICK MF

Flat recessed LED luminaire with homogeneous planar light

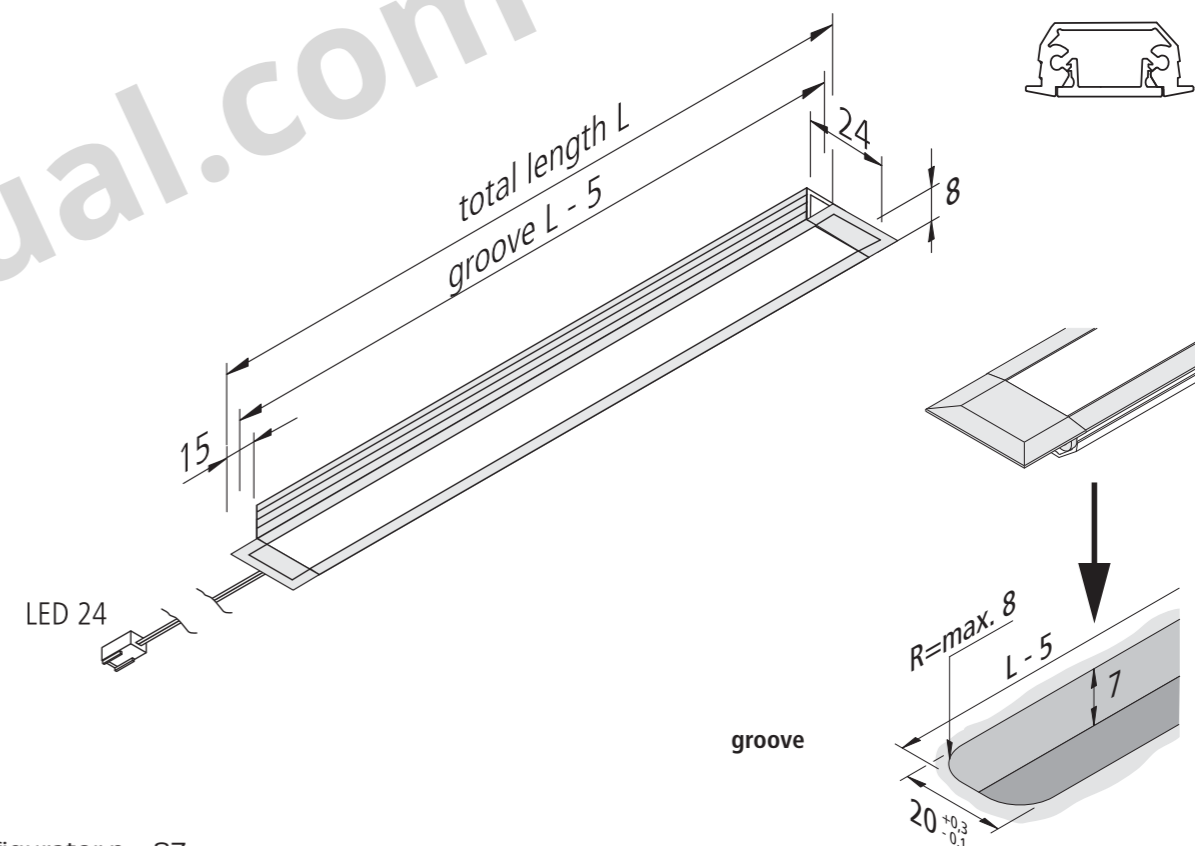
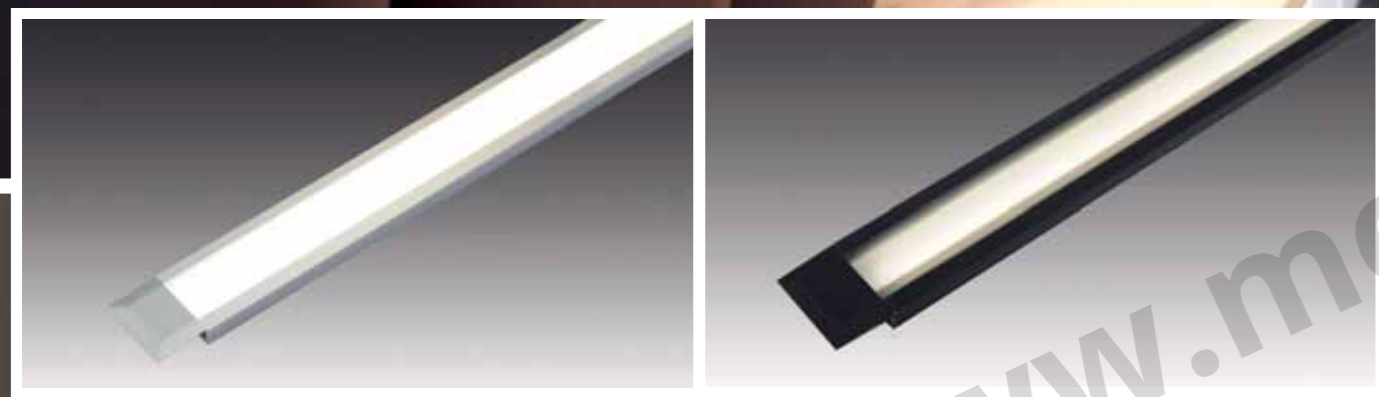


**Connection:** LED transformer DC 24 V  
**Life:** L70/B10 ≥ 50.000 hours  
**Energy efficiency:** LED 120 lm/W; luminaire: **1029 lm/m** (55 lm/W)  
**Colour rendering:** Ra/CRI > 95

LED IN-Stick MF		
	ww	nw
0,5m	1444 lx	1548 lx
1,0m	361 lx	387 lx
1,5m	160 lx	172 lx
2,0m	90 lx	97 lx
2,5m	58 lx	62 lx

### Special features:

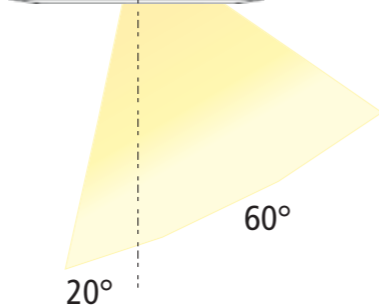
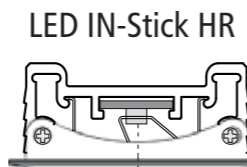
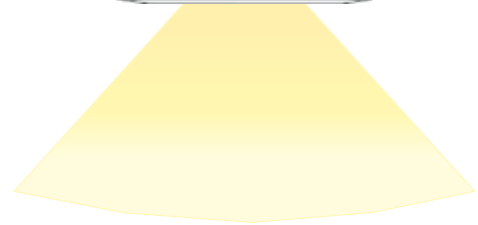
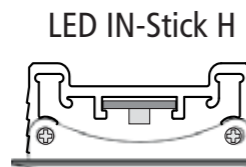
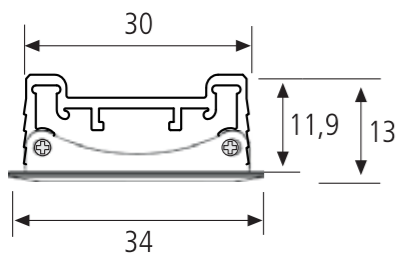
- only 7 mm depth of the groove
- no visible luminous spots



Configurator p. 87



Illustration	Article No.	Description	Features	Weight approx.
	610 025 501 02	LED IN-Stick MF 330mm 5,8W ww	<ul style="list-style-type: none"> <li>• colour appearance ww (warm white) approx. 3000K</li> <li>• supply cable 2,5m with LED 24 plug</li> <li>• anodized aluminium</li> <li>• for milled grooves 7 x 20mm</li> <li>• further versions from 1 piece</li> </ul>	75 g
	610 025 502 02	LED IN-Stick MF 530mm 9,6W ww		105 g
	610 025 503 02	LED IN-Stick MF 830mm 15,1W ww		170 g
	610 025 504 02	LED IN-Stick MF 1130mm 20,4W ww	225 g	<ul style="list-style-type: none"> <li>• colour appearance nw (neutral white) approx. 4000K</li> <li>• supply cable 2,5m with LED 24 plug</li> <li>• anodized aluminium</li> <li>• for milled grooves 7 x 20mm</li> <li>• further versions from 1 piece</li> </ul>
	610 025 501 03	LED IN-Stick MF 330mm 5,8W nw	75 g	
	610 025 502 03	LED IN-Stick MF 530mm 9,6W nw	105 g	
	610 025 503 03	LED IN-Stick MF 830mm 15,1W nw	170 g	
	610 025 504 03	LED IN-Stick MF 1130mm 20,4W nw	225 g	
	Accessories	LED transformers 24V from page 230 / dim-controllers page 238		



# IN-STICK H / HR

Flat and powerful recessed LED luminaire



**Connection:** LED transformer DC 24 V  
**Life:** L70/B10 ≥ 60.000 hours  
**Energy efficiency:** LED 113 lm/W; luminaire: **1342 lm/m** (54 lm/W)  
**Colour rendering:** Ra/CRI > 95

LED IN-Stick H		ww	nw
0,5m	Ø 560	2640 lx	2720 lx
1,0m	Ø 1120	660 lx	680 lx
1,5m	Ø 1680	293 lx	302 lx
2,0m	Ø 2240	165 lx	170 lx
2,5m	Ø 2800	106 lx	109 lx

### Special features:

- only 12 mm depth of the groove
- version HR with reflector for asymmetrical illumination

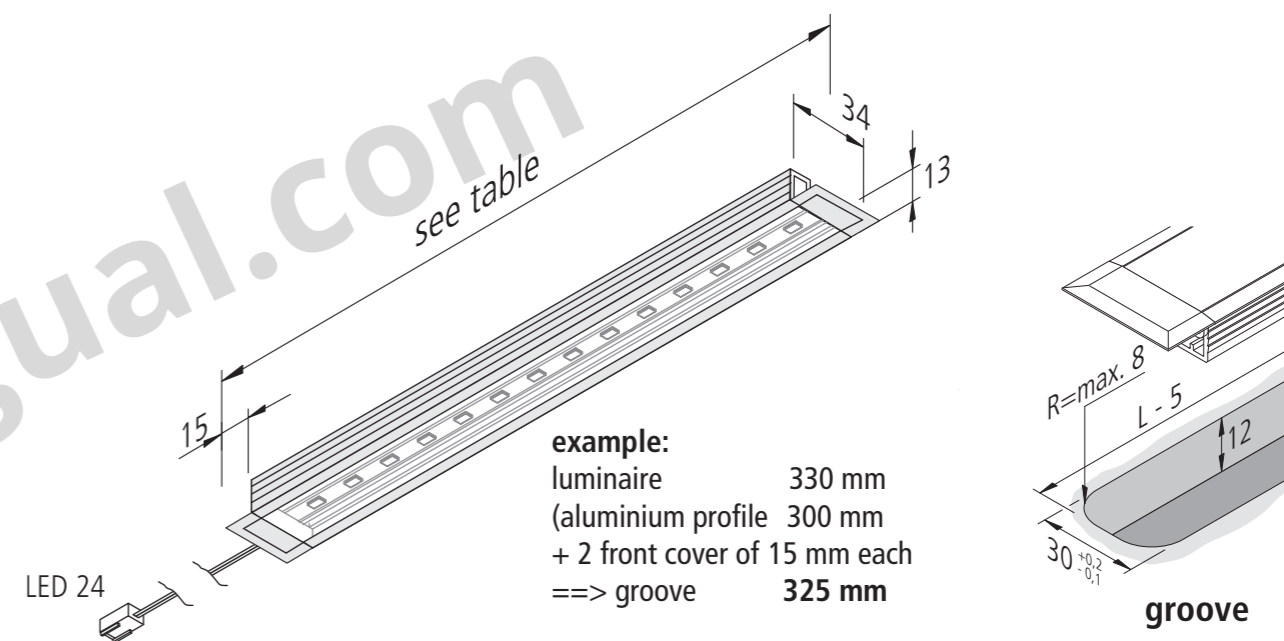


Illustration	Article No.	Description	Features	Weight approx.
	610 014 101 02	LED IN-Stick H 330mm 7,5W ww	• colour appearance ww (warm white) approx. 3000K	145 g
	610 014 102 02	LED IN-Stick H 530mm 12,5W ww	• supply cable 2,5m with LED 24 plug	220 g
	610 014 103 02	LED IN-Stick H 830mm 20,0W ww	• anodized aluminium	330 g
	610 014 104 02	LED IN-Stick H 1130mm 27,5W ww	• for milled grooves 12 x 30mm	445 g
	610 014 101 01	LED IN-Stick H 330mm 7,5W nw	• further versions from 10 pieces on request	445 g
	610 014 102 01	LED IN-Stick H 530mm 12,5W nw	• colour appearance nw (neutral white) approx. 4000K	145 g
	610 014 103 01	LED IN-Stick H 830mm 20,0W nw	• supply cable 2,5m with LED 24 plug	220 g
	610 014 104 01	LED IN-Stick H 1130mm 27,5W nw	• anodized aluminium	330 g
	610 014 121 02	LED IN-Stick HR 330mm 7,5W ww	• for milled grooves 12 x 30mm	445 g
	610 014 122 02	LED IN-Stick HR 530mm 12,5W ww	• with clear cover and reflector for asymmetrical illumination	330 g
	610 014 123 02	LED IN-Stick HR 830mm 20,0W ww	• further versions from 10 pieces on request	445 g
	610 014 124 02	LED IN-Stick HR 1130mm 27,5W ww	• colour appearance ww (warm white) approx. 3000K	145 g
	610 014 121 01	LED IN-Stick HR 330mm 7,5W nw	• Connecting cable 2,5m with LED 24 plug (right)	220 g
	610 014 122 01	LED IN-Stick HR 530mm 12,5W nw	• for milled grooves 12 x 30mm	330 g
	610 014 123 01	LED IN-Stick HR 830mm 20,0W nw	• with clear cover and reflector for asymmetrical illumination	330 g
	610 014 124 01	LED IN-Stick HR 1130mm 27,5W nw	• further versions from 10 pieces on request	445 g
Accessories	LED transformers 24V from page 230 / dim-controllers page 238			



# TOP-STICK H / HR

Powerful LED under cabinet luminaire



**Connection:** LED transformer DC 24 V  
**Life:** L70/B10 ≥ 60.000 hours  
**Energy efficiency:** LED 113 lm/W; luminaire: **1302 lm/m** (52 lm/W)  
**Colour rendering:** Ra/CRI > 95

LED Top-Stick H		ww	nw
0,5m	∅ 610	2580 lx	2680 lx
1,0m	∅ 1220	645 lx	670 lx
1,5m	∅ 1830	287 lx	298 lx
2,0m	∅ 2440	161 lx	168 lx
2,5m	∅ 3050	103 lx	107 lx

### Special features:

- only 12 mm thickness
- easy mounting with concealed mounting clips
- version HR with reflector for asymmetrical illumination

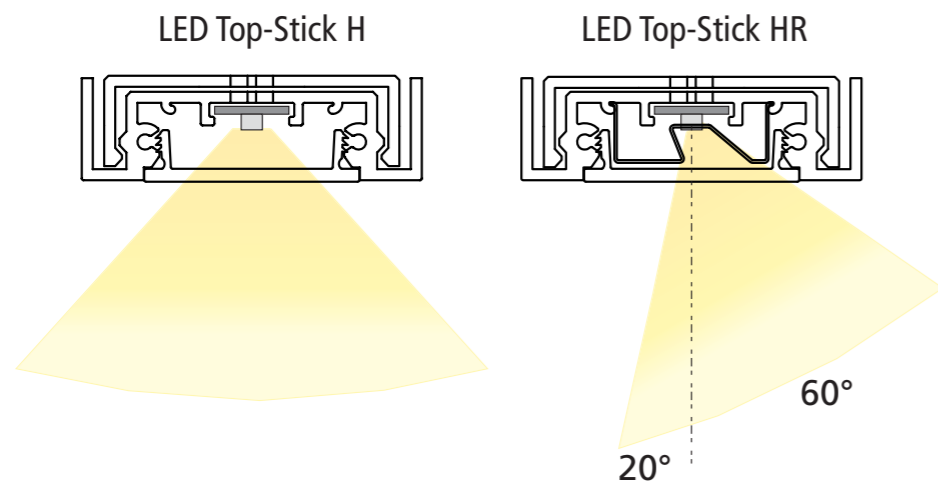
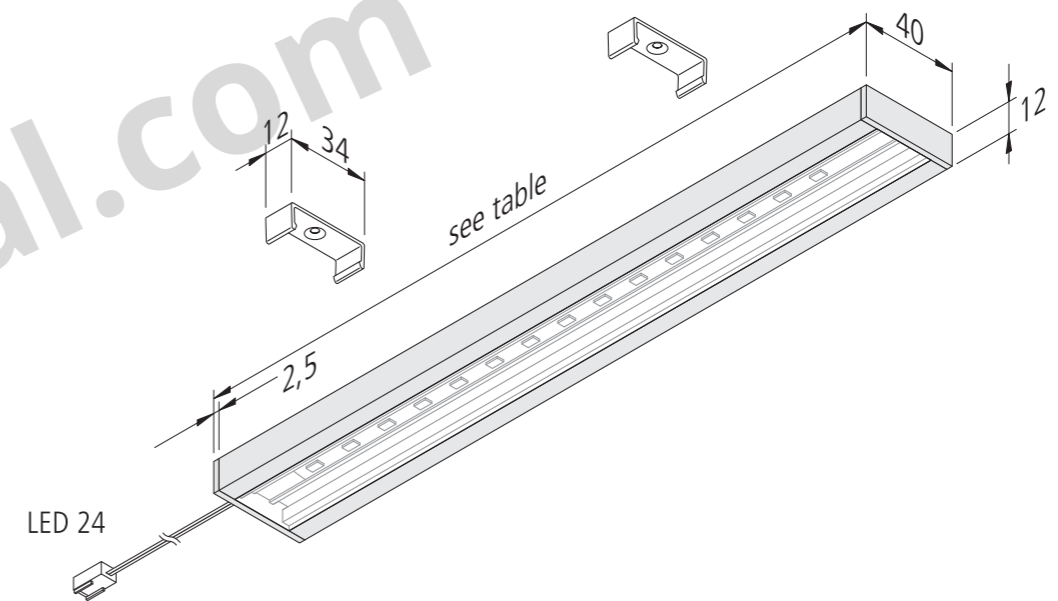


Illustration	Article No.	Description	Features	Weight approx.
	610 014 201 02	LED Top-Stick H 310mm 7,5W ww	<ul style="list-style-type: none"> <li>• colour appearance ww (warm white) appr. 3000K</li> <li>• supply cable 2,5m with LED 24 plug</li> <li>• anodized aluminium</li> <li>• further versions from 10 pieces on request</li> </ul>	165 g
	610 014 202 02	LED Top-Stick H 610mm 15,0W ww		300 g
	610 014 203 02	LED Top-Stick H 910mm 22,5W ww		430 g
	610 014 204 02	LED Top-Stick H 1210mm 30,0W ww		560 g
	610 014 201 01	LED Top-Stick H 310mm 7,5W nw	<ul style="list-style-type: none"> <li>• colour appearance nw (neutral white) appr. 4000K</li> <li>• supply cable 2,5m with LED 24 plug</li> <li>• anodized aluminium</li> <li>• further versions from 10 pieces on request</li> </ul>	165 g
	610 014 202 01	LED Top-Stick H 610mm 15,0W nw		300 g
	610 014 203 01	LED Top-Stick H 910mm 22,5W nw		430 g
	610 014 204 01	LED Top-Stick H 1210mm 30,0W nw		560 g
	610 014 221 02	LED Top-Stick HR 310mm 7,5W ww	<ul style="list-style-type: none"> <li>• colour appearance ww (warm white) appr. 3000K</li> <li>• supply cable 2,5m with LED 24 plug (right)</li> <li>• with clear cover and reflector for asymmetrical illumination</li> <li>• further versions from 10 pieces on request</li> </ul>	165 g
	610 014 222 02	LED Top-Stick HR 610mm 15,0W ww		300 g
	610 014 223 02	LED Top-Stick HR 910mm 22,5W ww		430 g
	610 014 224 02	LED Top-Stick HR 1210mm 30,0W ww		560 g
	610 014 221 01	LED Top-Stick HR 310mm 7,5W nw	<ul style="list-style-type: none"> <li>• colour appearance nw (neutral white) appr. 4000K</li> <li>• Connecting cable 2,5m with LED 24 plug (right)</li> <li>• with clear cover and reflector for asymmetrical illumination</li> <li>• further versions from 10 pieces on request</li> </ul>	165 g
	610 014 222 01	LED Top-Stick HR 610mm 15,0W nw		300 g
	610 014 223 01	LED Top-Stick HR 910mm 22,5W nw		430 g
	610 014 224 01	LED Top-Stick HR 1210mm 30,0W nw		560 g
Accessories	LED transformers 24V from page 230 / dim-controllers page 238			

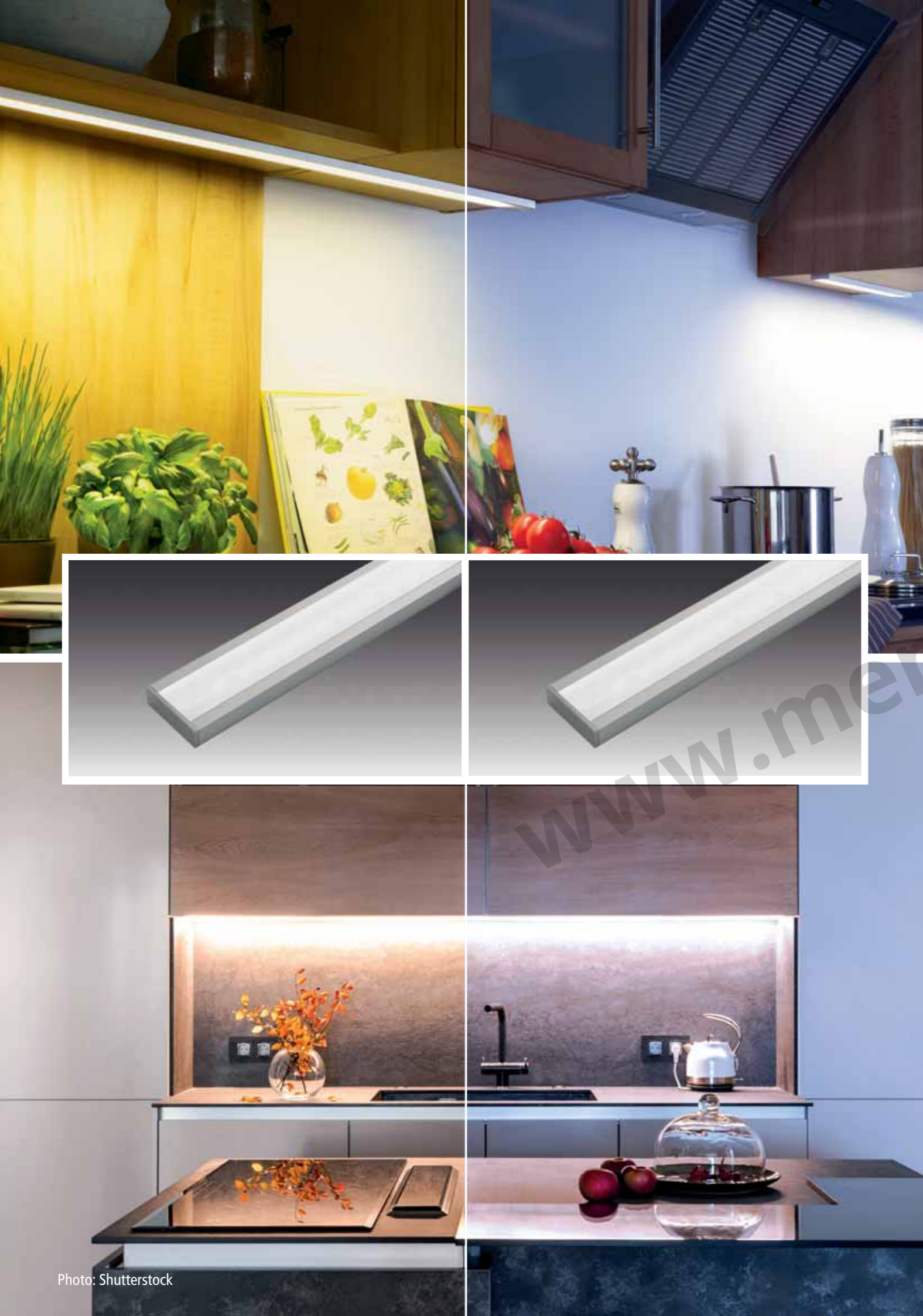


Photo: Shutterstock

# DYNAMIC TOP-STICK F

LED under cabinet luminaire with adjustable colour appearance



**Connection:** LED transformer DC 24 V  
**Life:** L70/B10 ≥ 50.000 hours  
**Energy efficiency:** LED 129 lm/W; luminaire: 830 lm/m (52 lm/W)  
**Colour rendering:** Ra/CRI > 82

Dynamic LED Top-Stick F				
		xw	nw	cw
0,5m	Ø 610	1848 lx	1980 lx	2116 lx
1,0m	Ø 1220	462 lx	495 lx	529 lx
1,5m	Ø 1830	205 lx	220 lx	235 lx
2,0m	Ø 2440	116 lx	124 lx	132 lx
2,5m	Ø 3050	74 lx	79 lx	85 lx

### Special features:

- only 12 mm thickness
- no visible luminous spots
- colour appearance adjustable between approx. 2700 K (xw) and 5000 K (cw)

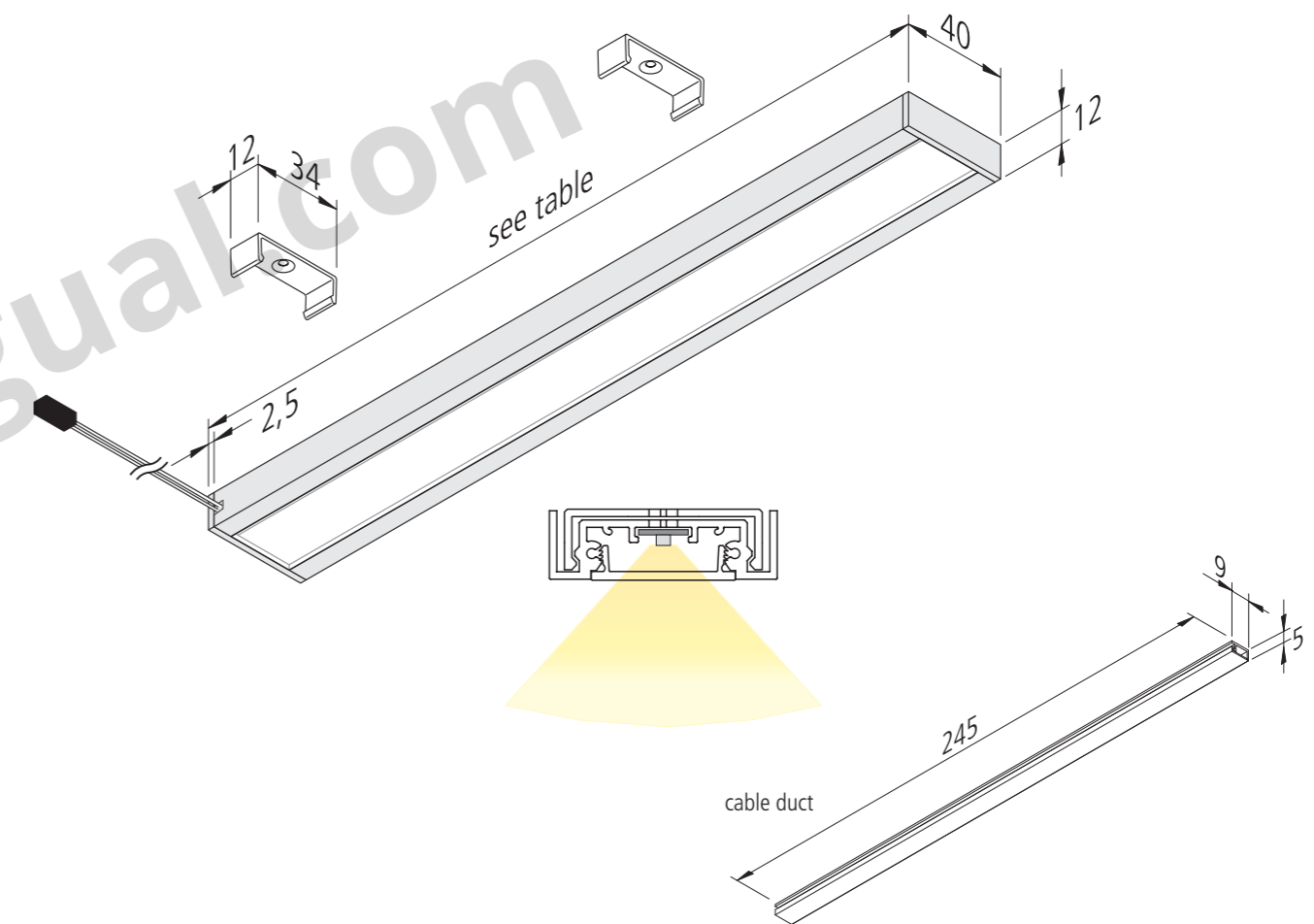


Illustration	Article No.	Description	Features	Weight approx.
	610 018 441 01	Dynamic LED Top-Stick FK 450mm 6,8W	<ul style="list-style-type: none"> <li>• colour appearance adjustable between appr. 2700K and 5000K</li> <li>• supply cable 2,5m with Dynamic plug (rear cable outlet)</li> <li>• anodized aluminium</li> <li>• incl. 245mm self adhesive cable duct, white (for centred mounting)</li> <li>• further versions from 10 pieces on request</li> </ul>	225 g
	610 018 442 01	Dynamic LED Top-Stick FK 600mm 9,5W		300 g
	610 018 443 01	Dynamic LED Top-Stick FK 900mm 14,4W		430 g
	610 018 444 01	Dynamic LED Top-Stick FK 1200mm 19,2W		560 g
Accessories	LED transformers 24V from page 230 / Dynamic-controllers page 237			

www.hera-online.de

Introduction

Power supply track system

Linear luminaires

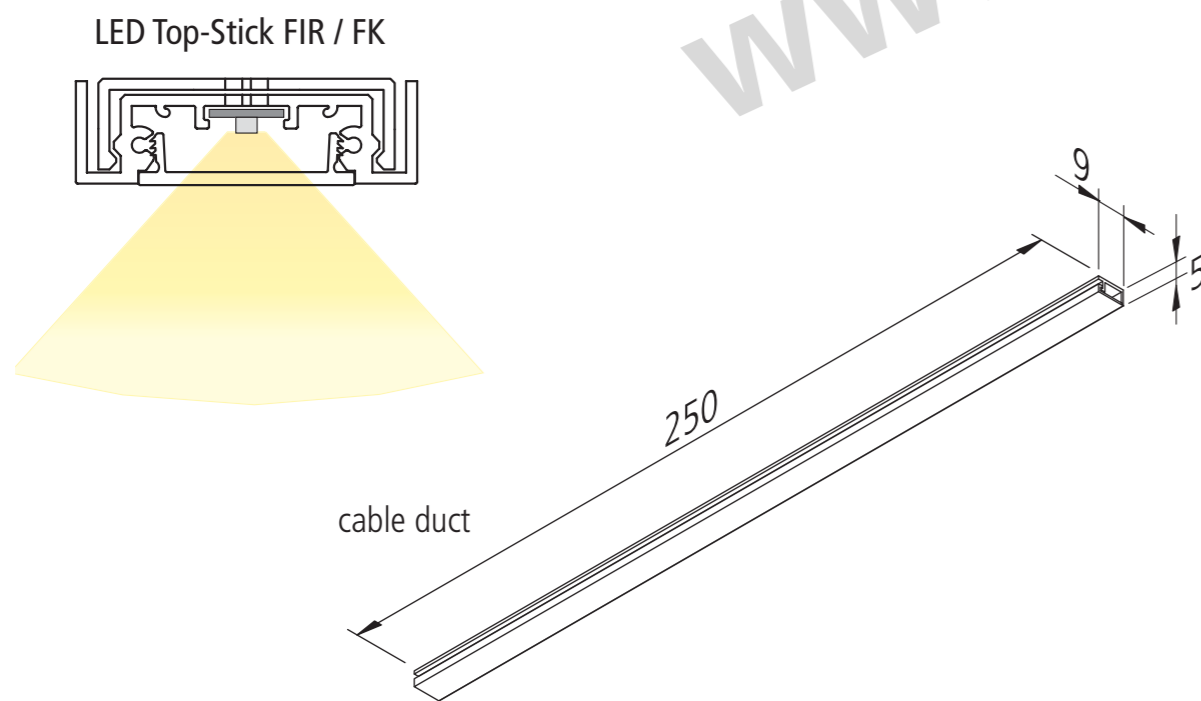
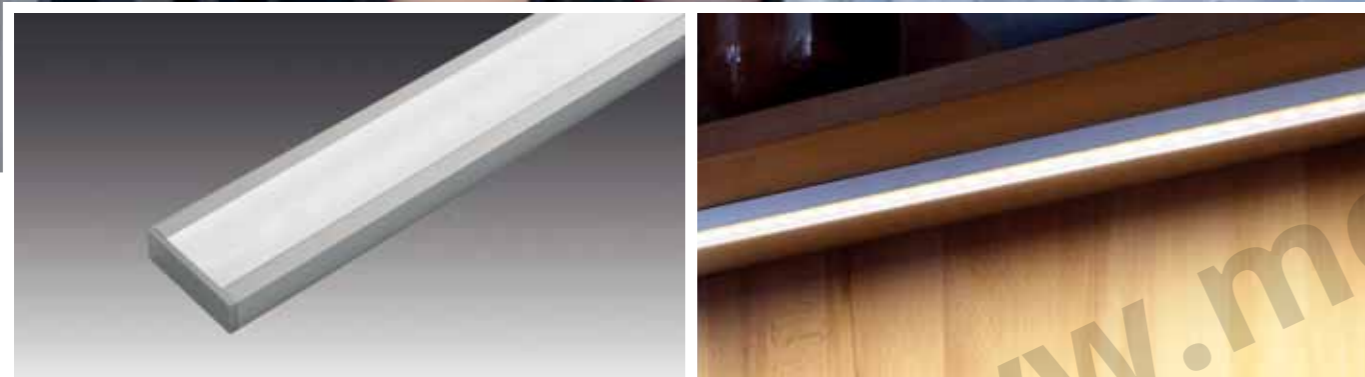
Recessed and surface mounted luminaires

Showcase and over cabinet luminaires

Under cabinet luminaires

Accessories

Appendix



## TOP-STICK FIR / FK

LED under cabinet luminaire with homogeneous planar light



**Connection:** LED transformer DC 24 V  
**Life:** L70/B10 ≥ 60.000 hours  
**Energy efficiency:** LED 107 lm/W; luminaire: **1100 lm/m** (51 lm/W)  
**Colour rendering:** Ra/CRI > 95

LED Top-Stick F		ww	nw
0,5m	∅ 610	1532 lx	1640 lx
1,0m	∅ 1220	383 lx	410 lx
1,5m	∅ 1830	170 lx	182 lx
2,0m	∅ 2440	96 lx	103 lx
2,5m	∅ 3050	61 lx	66 lx

### Special features:

- only 12 mm thickness
- anodized aluminium
- no visible luminous spots
- IR dimmer (to switch and dim) with memory function (after cut off from mains the last brightness is recovered)

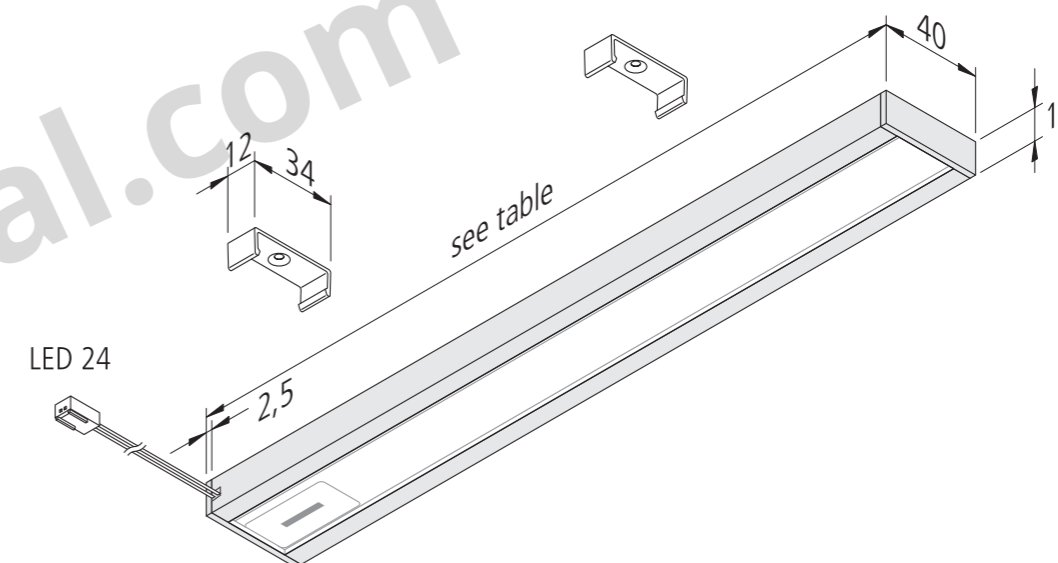


Illustration	Article No.	Description	Features	Weight approx.
	610 014 251 02	LED Top-Stick FIR 450mm 7,1W ww	<ul style="list-style-type: none"> <li>• colour appearance ww (warm white) appr. 3000K</li> <li>• supply cable 2,5m with LED 24 plug (rear cable outlet)</li> <li>• incl. 250mm self adhesive cable duct, white</li> <li>• incl. touch-less sensor dimmer and orientation LED</li> </ul>	225 g
	610 014 252 02	LED Top-Stick FIR 600mm 10,1W ww		300 g
	610 014 253 02	LED Top-Stick FIR 900mm 15,6W ww		430 g
	610 014 254 02	LED Top-Stick FIR 1200mm 20,9W ww		560 g
	610 014 251 03	LED Top-Stick FIR 450mm 7,1W nw	<ul style="list-style-type: none"> <li>• colour appearance nw (neutral white) appr. 4000K</li> <li>• supply cable 2,5m with LED 24 plug (rear cable outlet)</li> <li>• incl. 250mm self adhesive cable duct, white</li> <li>• incl. touch-less sensor dimmer and orientation LED</li> </ul>	225 g
	610 014 252 03	LED Top-Stick FIR 600mm 10,1W nw		300 g
	610 014 253 03	LED Top-Stick FIR 900mm 15,6W nw		430 g
	610 014 254 03	LED Top-Stick FIR 1200mm 20,9W nw		560 g
	610 014 241 02	LED Top-Stick FK 450mm 8,0W ww	<ul style="list-style-type: none"> <li>• colour appearance ww (warm white) appr. 3000K</li> <li>• supply cable 2,5m with LED 24 plug (rear cable outlet)</li> <li>• incl. 250mm self adhesive cable duct, white</li> </ul>	225 g
	610 014 242 02	LED Top-Stick FK 600mm 10,9W ww		300 g
	610 014 243 02	LED Top-Stick FK 900mm 16,6W ww		430 g
	610 014 244 02	LED Top-Stick FK 1200mm 21,8W ww		560 g
	610 014 241 03	LED Top-Stick FK 450mm 8,0W nw	<ul style="list-style-type: none"> <li>• colour appearance nw (neutral white) appr. 4000K</li> <li>• supply cable 2,5m with LED 24 plug (rear cable outlet)</li> <li>• incl. 250mm self adhesive cable duct, white</li> </ul>	225 g
	610 014 242 03	LED Top-Stick FK 600mm 10,9W nw		300 g
	610 014 243 03	LED Top-Stick FK 900mm 16,6W nw		430 g
	610 014 244 03	LED Top-Stick FK 1200mm 21,8W nw		560 g
Accessories	LED transformers 24V from page 230 / dim-controllers page 238			

Introduction

Power supply track system

Linear luminaires

Recessed and surface mounted luminaires

Showcase and over cabinet luminaires

Under cabinet luminaires

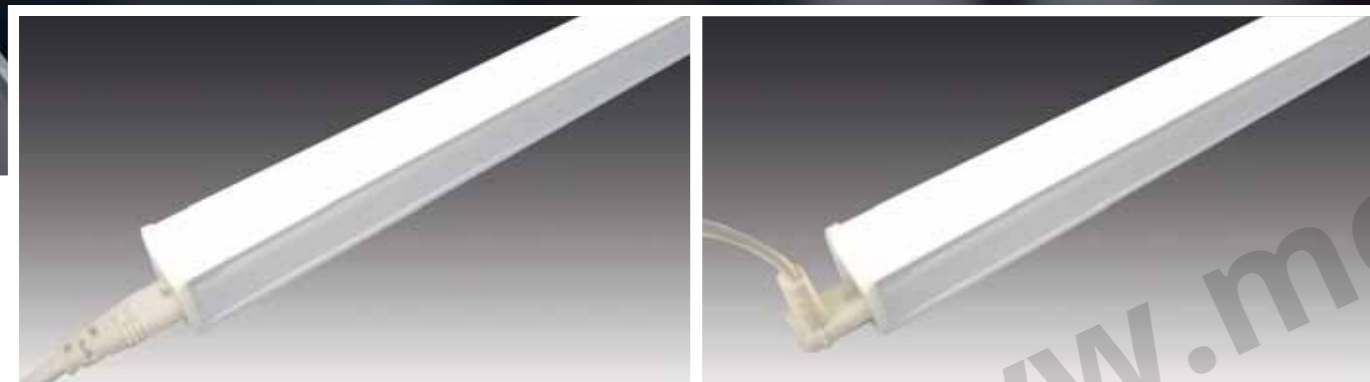
Accessories

Appendix



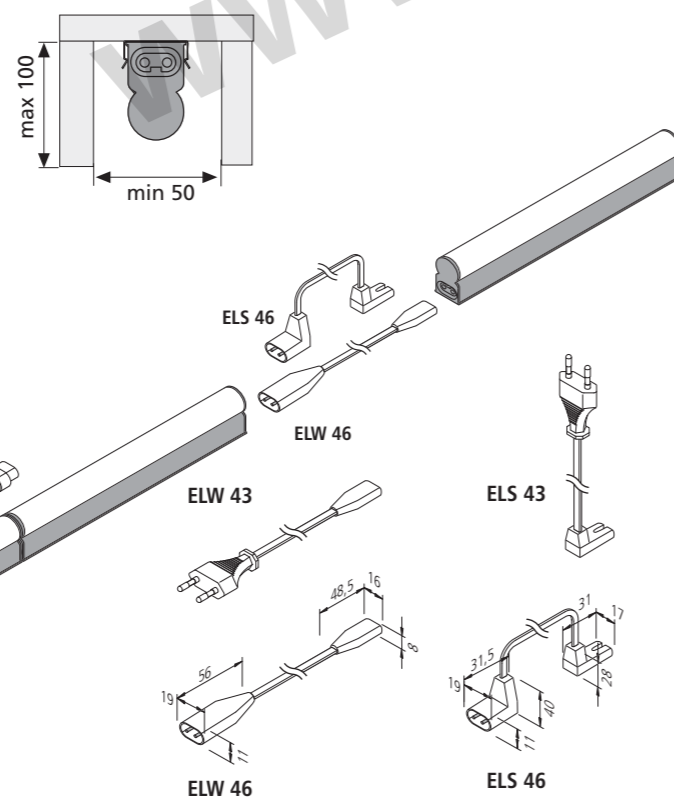


Photo: Cornelsen



L:	300 mm	600 mm	900 mm	1150 mm	1420 mm
Wattage:	4,0 W	7,0 W	11,0 W	14,0 W	18,0 W
No.*:	50	28	18	14	11

\* total lamp output in one strip light maximum 200 W, maximum 3 strip lights on one N-circuit breaker 16A, single pole, type

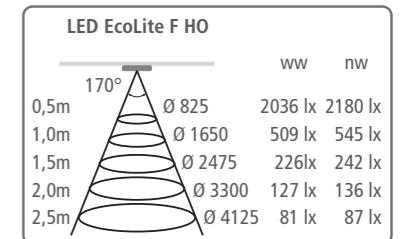
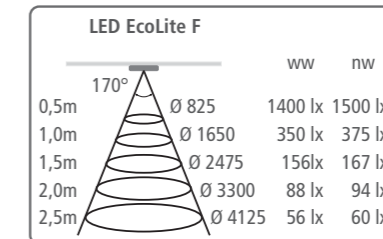


# ECOLITE F / HO

LED linear luminaire for 230 V



**Connection:** 220 - 240V / 50 - 60Hz  
**Life:** L70/B10 ≥ 50.000 hours  
**Energy efficiency:** LED 118/135 lm/W  
 luminaire: **1100/1600 lm/m**  
 (90/110 lm/W)  
**Colour rendering:** Ra/CRI > 80



### Special features:

- rigid connector for minimum spacing between luminaires

Illustration	Article No.	Description	Features	Weight approx.
	202 029 801 02	LED EcoLite F 300mm 4W ww	• colour appearance ww (warm white) approx. 3000K • incl. mounting clip • incl. coupling	71 g
	202 029 802 02	LED EcoLite F 600mm 7W ww		114 g
	202 029 803 02	LED EcoLite F 900mm 11W ww		150 g
	202 029 804 02	LED EcoLite F 1150mm 14W ww		190 g
	202 029 805 02	LED EcoLite F 1440mm 18W ww		229 g
	202 029 801 03	LED EcoLite F 300mm 4W nw	• colour appearance nw (neutral white) approx. 4000K • incl. mounting clip • incl. coupling	71 g
	202 029 802 03	LED EcoLite F 600mm 7W nw		114 g
	202 029 803 03	LED EcoLite F 900mm 11W nw		150 g
	202 029 804 03	LED EcoLite F 1150mm 14W nw		190 g
	202 029 805 03	LED EcoLite F 1440mm 18W nw		229 g
	202 032 601 02	LED EcoLite F HO 300mm 4,5W ww	• colour appearance ww (warm white) approx. 3000K • incl. mounting clip • incl. coupling	71 g
	202 032 602 02	LED EcoLite F HO 600mm 8,5W ww		114 g
	202 032 603 02	LED EcoLite F HO 900mm 12,5W ww		150 g
	202 032 604 02	LED EcoLite F HO 1150mm 16,5W ww		190 g
	202 032 605 02	LED EcoLite F HO 1440mm 21,5W ww		229 g
202 032 601 03	LED EcoLite F HO 300mm 4,5W nw	• colour appearance nw (neutral white) approx. 4000K • incl. mounting clip • incl. coupling	71 g	
202 032 602 03	LED EcoLite F HO 600mm 8,5W nw		114 g	
202 032 603 03	LED EcoLite F HO 900mm 12,5W nw		150 g	
202 032 604 03	LED EcoLite F HO 1150mm 16,5W nw		190 g	
202 032 605 03	LED EcoLite F HO 1440mm 21,5W nw		229 g	
	215 480 318 01	ELW 43/1800 mains cable with Euro plug 1,8m	• horizontal luminaire connection	88 g
	215 480 601 01	ELW 46/ 150 connecting cable 0,15m	• horizontal luminaire connection	20 g
	215 480 603 01	ELW 46/ 300 connecting cable 0,3m		23 g
	215 480 606 01	ELW 46/ 600 connecting cable 0,6m		35 g
	215 480 612 01	ELW 46/1200 connecting cable 1,2m		57 g
	215 480 618 01	ELW 46/1800 connecting cable 1,8m		80 g
	215 481 318 01	ELS 43/1800 mains cable with Euro plug 1,8m	• vertical luminaire connection	88 g
	215 481 601 01	ELS 46/ 150 connecting cable 0,15m	• vertical luminaire connection	20 g
	215 481 603 01	ELS 46/ 300 connecting cable 0,3m		23 g
	215 481 606 01	ELS 46/ 600 connecting cable 0,6m		35 g
	215 481 612 01	ELS 46/1200 connecting cable 1,2m		57 g
	215 481 618 01	ELS 46/1800 connecting cable 1,8m		80 g
	202 040 108 50	Mounting clip EcoLite F with magnet, set of 2		17 g

Introduction

Power supply track system

Linear luminaires

Recessed and surface mounted luminaires

Showcase and over cabinet luminaires

Under cabinet luminaires

Accessories

Appendix

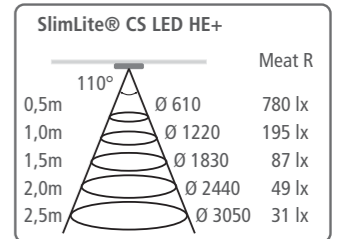


# SLIMLITE® CS LED HE+

Highly efficient rotating LED linear luminaire for 230 V



**Connection:** 220 - 240V / 50 - 60Hz  
**Life:** L70/B10 ≥ 60.000 hours  
**Energy efficiency:** LED 80 lm/W; luminaire: 550 lm/m (55 lm/W)  
**Colour rendering:** Ra/CRI > 85



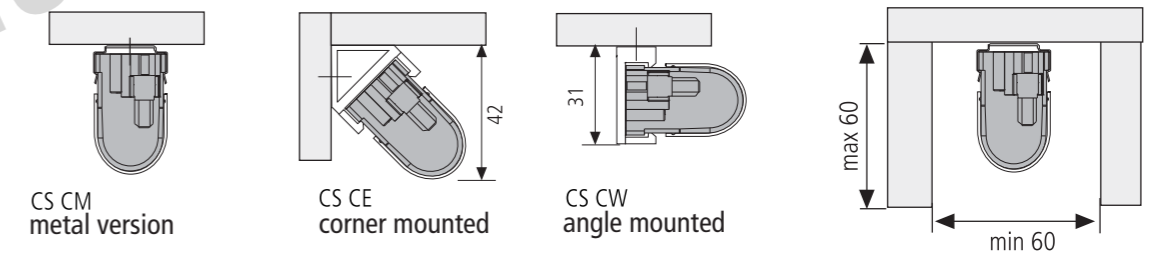
### Special features:

- LEDs rotating 180°
- rigid connectors for minimum spacing between luminaires
- vertical plug-in system allows later removal from the strip light
- many accessories

### Assembly instructions



mounting arrangement with admissible clearances



Lamp output:	Anzahl LED	Length L	Length L1	Number* per strip light
5,8W HE+	24	595	583	28
8,9W HE+	36	895	883	28
10,3W HE+	48	1195	1183	28

\* maximum number of luminaires per strip light (maximum 3 strip lights, HVLCS V 6-way distributor maximum 2,5A total) on one N-circuit breaker 16A, single pole, type B. Total lamp output in one strip light maximum 400W.

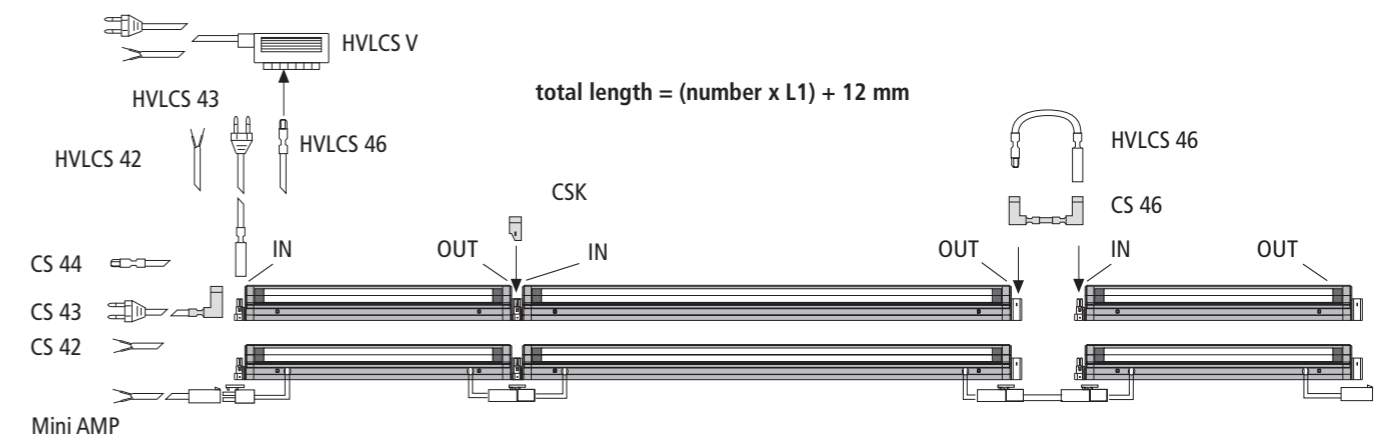
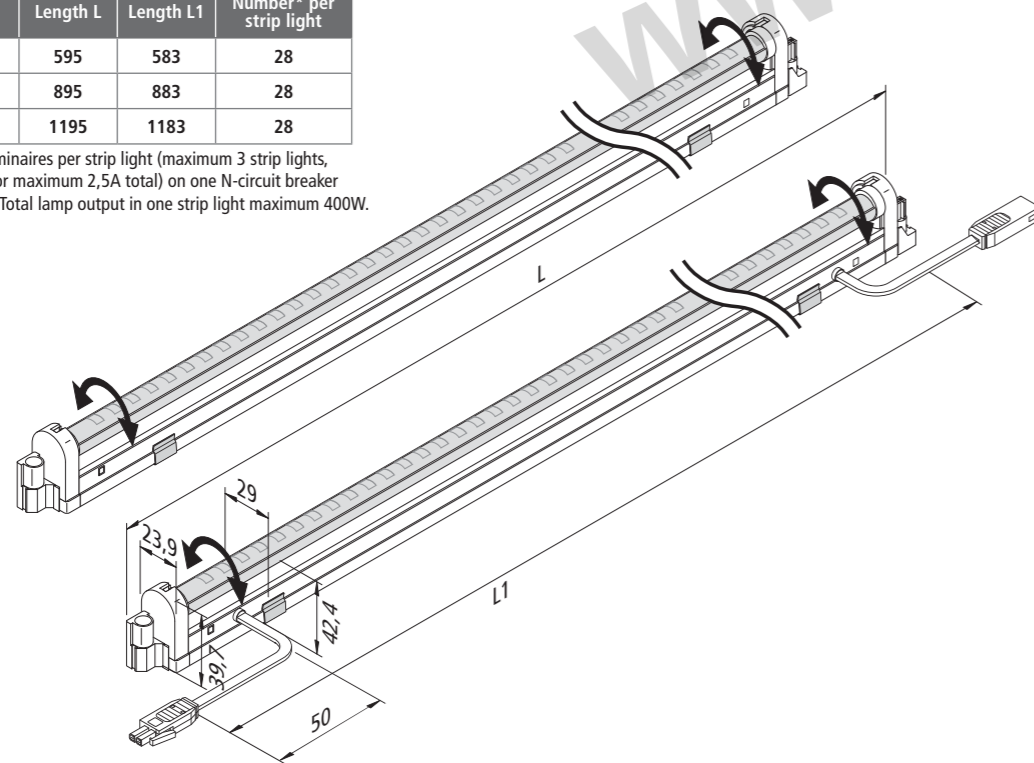


Illustration	Article No.	Description	Features	Weight approx.
	610 012 941 05	SlimLite CS LED HE+ 595mm 5,8W Meat R	• colour appearance Meat R • casing material: aluminium	400 g
	610 012 942 05	SlimLite CS LED HE+ 895mm 8,9W Meat R	• incl. mounting clip CS CM • mains cables page 135	580 g
	610 012 943 05	SlimLite CS LED HE+ 1195mm 10,3W Meat R		750 g
	Accessories	connecting cables page 135		



# SLIMLITE® CS LED HO+ / HO+ DIMMABLE

Highly efficient rotating LED linear luminaire for 230 V



**Connection:** 220 - 240V / 50 - 60Hz  
**Life:** L70/B10 ≥ 60.000 hours  
**Energy efficiency:** LED 120 lm/W; luminaire: **1670 lm/m** (100 lm/W)  
**Colour rendering:** Ra/CRI > 95

SlimLite® CS LED HO+		xw	ww	nw
0,5m	Ø 610	2600 lx	2700 lx	2880 lx
1,0m	Ø 1220	650 lx	675 lx	720 lx
1,5m	Ø 1830	289 lx	300 lx	320 lx
2,0m	Ø 2440	163 lx	169 lx	180 lx
2,5m	Ø 3050	104 lx	108 lx	115 lx

### Special features:

- LEDs rotating 180°
- rigid connectors for minimum spacing between luminaires
- vertical plug-in system allows later removal from the strip light
- many accessories

**Assembly instructions:** see SlimLite® CS HE+



Lamp output:	No.LED	Length L	Length L1	Number* per strip light
5,8W HO+	18	335	323	28
13,8W HO+	36	595	583	28
18,0W HO+	52	895	883	28
24,7W HO+	72	1195	1183	25

\* maximum number of luminaires per strip light (maximum 3 strip lights, HVLC5 V 6-way distributor maximum 2,5A total) on one N-circuit breaker 16A, single pole, type B

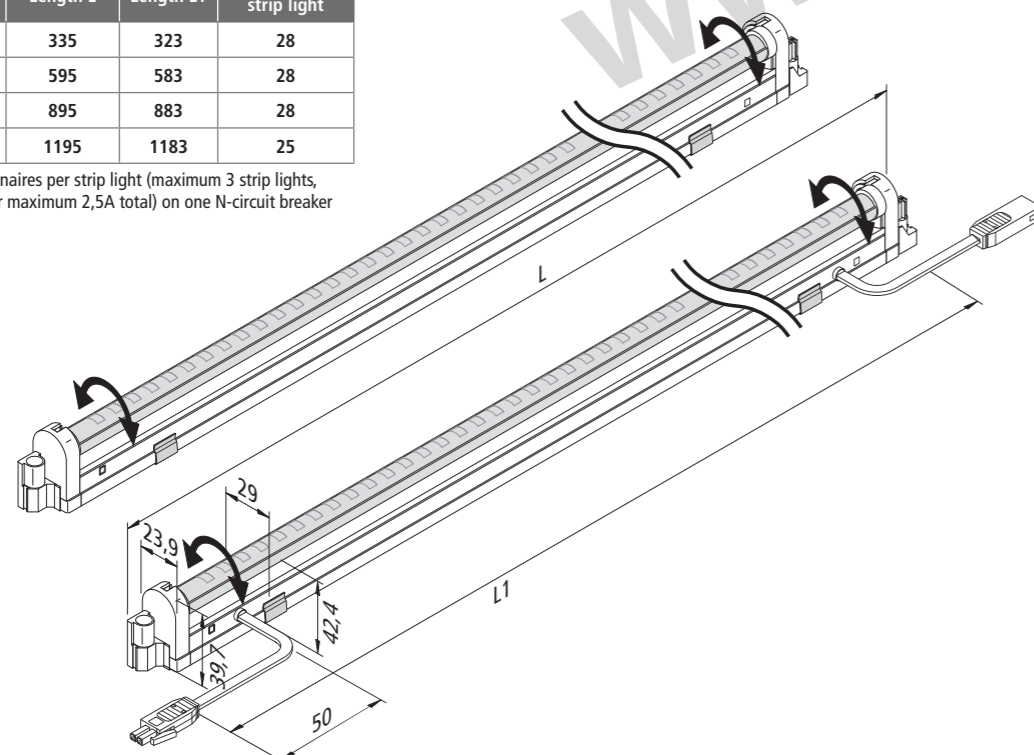


Illustration	Article No.	Description	Features	Weight approx.
	610 012 920 04	SlimLite CS LED HO+ 335mm 5,8W xw	• colour appearance xw (extra warm white) appr. 2700K	230 g
	610 012 921 04	SlimLite CS LED HO+ 595mm 13,8W xw	• casing material: aluminium	400 g
	610 012 922 04	SlimLite CS LED HO+ 895mm 18,0W xw	• incl. mounting clip CS CM	580 g
	610 012 923 04	SlimLite CS LED HO+ 1195mm 24,7W xw	• mains cables page 135	750 g
	610 012 920 02	SlimLite CS LED HO+ 335mm 5,8W ww	• colour appearance ww (warm white) appr. 3000K	230 g
	610 012 921 02	SlimLite CS LED HO+ 595mm 13,8W ww	• casing material: aluminium	400 g
	610 012 922 02	SlimLite CS LED HO+ 895mm 18,0W ww	• incl. mounting clip CS CM	580 g
	610 012 923 02	SlimLite CS LED HO+ 1195mm 24,7W ww	• mains cables page 135	750 g
	610 012 920 01	SlimLite CS LED HO+ 335mm 5,8W nw	• colour appearance nw (neutral white) appr. 4000K	230 g
	610 012 921 01	SlimLite CS LED HO+ 595mm 13,8W nw	• casing material: aluminium	400 g
	610 012 922 01	SlimLite CS LED HO+ 895mm 18,0W nw	• incl. mounting clip CS CM	580 g
	610 012 923 01	SlimLite CS LED HO+ 1195mm 24,7W nw	• mains cables page 135	750 g
	610 012 931 02	SlimLite CS LED HO+ 595mm 13,8W ww dimmable (1-10V)	• colour appearance ww (warm white) appr. 3000K	400 g
	610 012 932 02	SlimLite CS LED HO+ 895mm 18,0W ww dimmable (1-10V)	• aluminium casing	580 g
	610 012 933 02	SlimLite CS LED HO+ 1195mm 24,7W ww dimmable (1-10V)	• incl. mounting clip CS CM	750 g
	610 012 931 03	SlimLite CS LED HO+ 595mm 13,8W nw dimmable (1-10V)	• Dim range 10-100% / -current < 1,5mA	400 g
	610 012 932 03	SlimLite CS LED HO+ 895mm 18,0W nw dimmable (1-10V)	• Dimmer see below	580 g
	610 012 933 03	SlimLite CS LED HO+ 1195mm 24,7W nw dimmable (1-10V)	• mains cable page 135	750 g
	506 180 401 01	Mounting dimmer switch (1-10V)	• 1-10V connecting cable see below	95 g
	215 032 205 01	Mini AMP 1-10V mains cable 1,0m	• dimmer cable 2m with Mini AMP-socket	35 g
	215 032 202 60	Mini AMP 1-10V connecting cable 0,15m	• with ferrules	10 g
	215 032 202 70	Mini AMP 1-10V connecting cable 0,3m	• for dimmable version 1 - 10V	15 g
	215 032 202 80	Mini AMP 1-10V connecting cable 0,6m		25 g
	215 032 202 90	Mini AMP 1-10V connecting cable 1,2m		45 g
	215 032 202 02	Mini AMP 1-10V connecting cable 1,8m		65 g
	Accessories	connecting cables page 135		

# SLIMLITE® CS ACCESSORIES

Accessories for all SlimLite® CS types

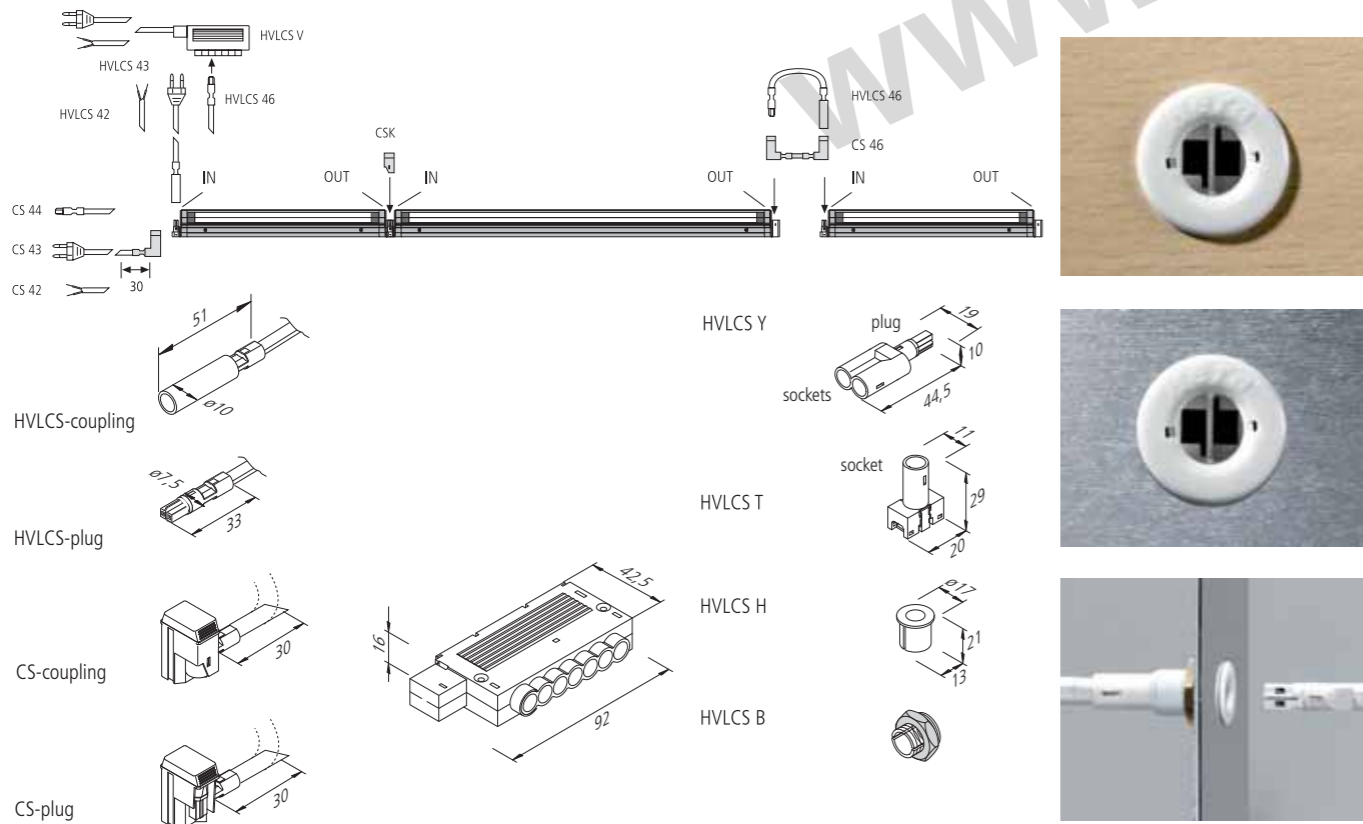


Illustration	Article No.	Description	Features	Weight approx.
CS 42	215 260 218 01	CS 42/1800 mains cable with AE 1,8m	<ul style="list-style-type: none"> <li>horizontal luminaire connection with AE (ferrules), Euro (Euro plug), S (switch), Schuko (Shockproof plug loose) or HV LCS plug</li> </ul>	70 g
	215 260 230 01	CS 42/3000 mains cable with AE 3m		100 g
	215 260 318 01	CS 43/1800 mains cable with Euro 1,8m		90 g
CS 43	215 260 318 04	CS 43/1800 mains cable with Euro+S 1,8m		120 g
	215 260 330 01	CS 43/3000 mains cable with Schuko 3m		130 g
CS 43+S	215 260 405 01	CS 44/ 500 mains cable with HV LCS 0,5m		25 g
	215 260 418 01	CS 44/1800 mains cable with HV LCS 1,8m		70 g
CS 44	215 260 601 01	CS 46/ 150 connecting cable 0,15m		15 g
	215 260 603 01	CS 46/ 300 connecting cable 0,3m		20 g
	215 260 606 01	CS 46/ 600 connecting cable 0,6m		30 g
CS 46	215 260 612 01	CS 46/1200 connecting cable 1,2m	50 g	
	215 260 618 01	CS 46/1800 connecting cable 1,8m	70 g	
CSK	215 260 000 01	CSK connecting coupling	4 g	
	215 120 507 01	Adaptor cable XL-plug / CS-socket 0,1m	<ul style="list-style-type: none"> <li>to connect a CS on a XL outlet</li> </ul>	15 g
	215 120 507 02	Adaptor cable CS-plug / XL-socket 0,1m	<ul style="list-style-type: none"> <li>to connect a XL on a CS outlet</li> </ul>	15 g
	215 440 220 02	HV LCS 42/2000 mains cable with AE 2m	<ul style="list-style-type: none"> <li>vertical luminaire connection with AE (ferrules) or Euro (Euro plug)</li> </ul>	70 g
	215 440 320 01	HV LCS 43/2000 mains cable with Euro 2m		90 g
	215 441 120 01	HV LCS V/2000 6-way distributor with Euro 2m		120 g
	215 440 601 01	HV LCS 46/ 150 connecting cable 0,15m		20 g
	215 440 605 01	HV LCS 46/ 500 connecting cable 0,5m		30 g
	215 440 610 01	HV LCS 46/1000 connecting cable 1m		45 g
	215 440 615 01	HV LCS 46/1500 connecting cable 1,5m		60 g
	215 440 620 01	HV LCS 46/2000 connecting cable 2m	75 g	
	215 441 300 01	HV LCS Y-distributor	<ul style="list-style-type: none"> <li>with one plug and 2 sockets</li> </ul>	4 g
	215 441 400 01	HV LCS T-adaptor with one socket	<ul style="list-style-type: none"> <li>can be snapped onto any part of the cable</li> </ul>	3 g
	215 441 500 01	HV LCS H wood flush-type socket	<ul style="list-style-type: none"> <li>for wood from 10mm with 13mm drill hole</li> </ul>	1 g
	215 441 501 11	HV LCS B metal flush-type socket with nut	<ul style="list-style-type: none"> <li>for metal from 0-18mm with 13mm drill hole</li> </ul>	4 g
	202 040 103 46	CS CM mounting clip metal version	<ul style="list-style-type: none"> <li>2 clips and 2 screws</li> </ul>	20 g
	202 040 103 42	CS CE mounting clip corner mounting 45°	<ul style="list-style-type: none"> <li>3 clips and 6 screws</li> </ul>	20 g
	202 040 103 43	CS CW mounting clip angle mounting 90°		20 g
	202 040 103 51	Mounting clip SlimLite CS with magnet, set of 2		17 g
	202 040 108 11	Mounting clip CS white for Vieler T5 profiles	<ul style="list-style-type: none"> <li>1 clip</li> </ul>	10 g
	202 040 108 21	Mounting clip CS white for Vieler T8 profiles		10 g

Introduction

Power supply track system

Linear luminaires

Recessed and surface mounted luminaires

Showcase and over cabinet luminaires

Under cabinet luminaires

Accessories

Appendix

## RECESSED & SURFACE MOUNTED LUMINAIRES

You can set discreet accents with recessed and surface mounted luminaires, which can be excellently integrated into any environment thanks to their flat designs.

Wall recessed luminaire for surface pattress box and flush-mounted socket



**Connection:** 220 - 240V / 50 - 60Hz  
**Life:** L70/B10 ≥ 60.000 hours  
**Energy efficiency:** LED: 105 lm/W; luminaire: 50 / 90 lm (55 / 50 lm/W)  
**Colour rendering:** Ra/CRI > 84

**Special features:**

- quick and easy installation due to standard surface pattress box and flush-mounted socket
- direct connection to 230 V
- no visible luminous spots

Suitable for

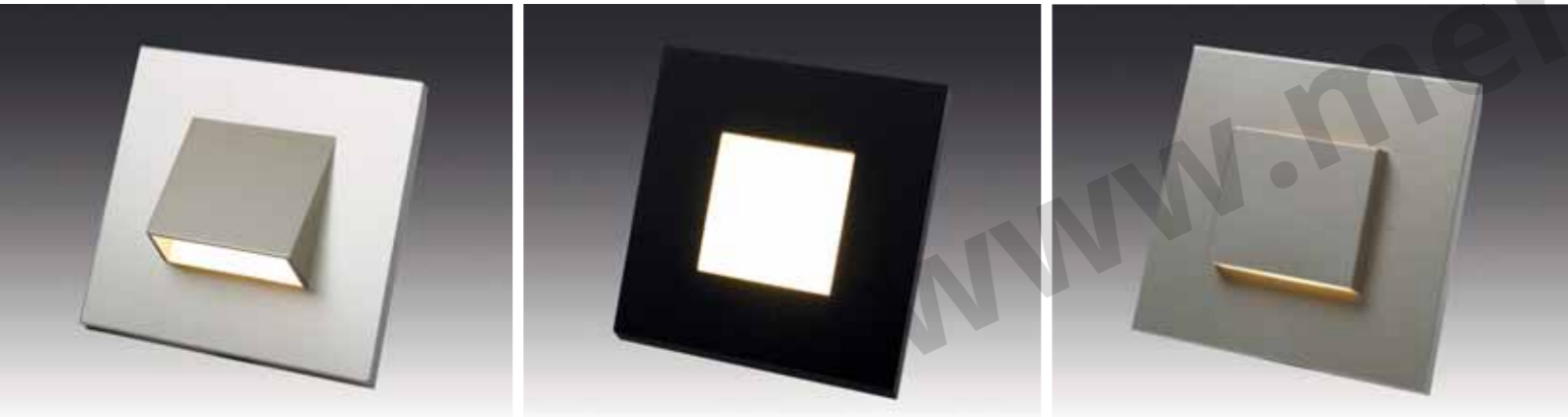
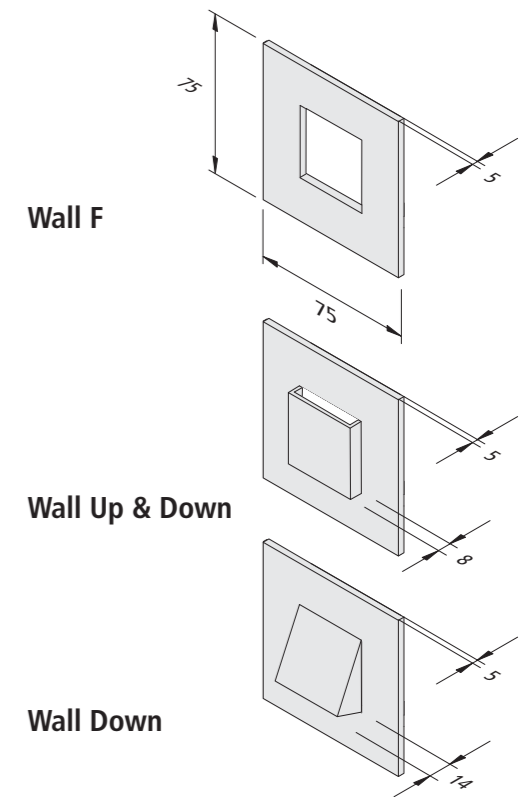
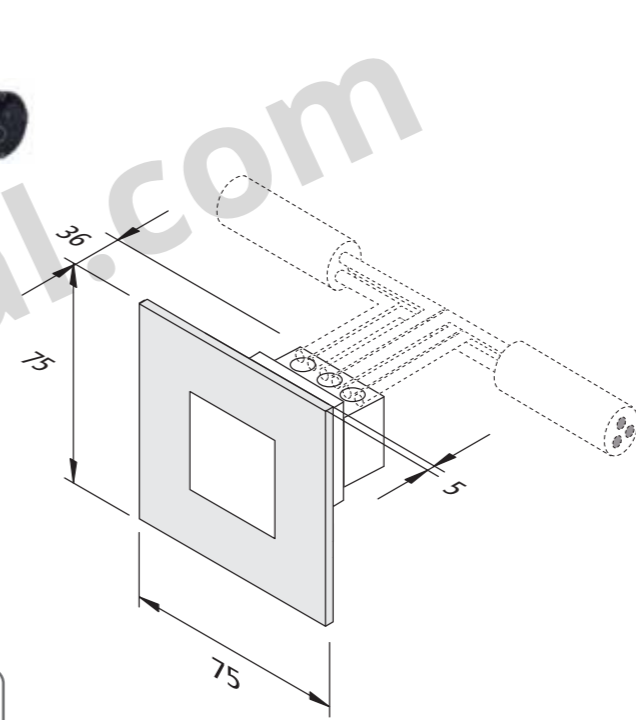


Illustration	Article No.	Description	Features	Weight approx.
	202 027 202 01	LED Wall F 0,9W white	<ul style="list-style-type: none"> <li>• colour appearance ww (warm white) approx. 3000K</li> <li>• incl. 3-pin terminal for 230V</li> <li>• stainless steel or white RAL 9016</li> </ul>	65 g
	202 027 202 08	LED Wall F 0,9W stainless steel		65 g
	202 027 201 01	LED Wall F 1,8W white		65 g
	202 027 201 03	LED Wall F 1,8W black <b>NEW</b>		65 g
	202 027 201 08	LED Wall F 1,8W stainless steel		65 g
	202 027 211 01	LED Wall Up & Down 1,8W white	<ul style="list-style-type: none"> <li>• colour appearance ww (warm white) approx. 3000K</li> <li>• incl. 3-pin terminal for 230V</li> <li>• stainless steel or white RAL 9016</li> </ul>	65 g
	202 027 211 08	LED Wall Up & Down 1,8W stainless steel		65 g
	202 027 221 01	LED Wall Down 1,8W white	<ul style="list-style-type: none"> <li>• colour appearance ww (warm white) approx. 3000K</li> <li>• incl. 3-pin terminal for 230V</li> <li>• stainless steel or white RAL 9016</li> </ul>	65 g
	202 027 221 08	LED Wall Down 1,8W stainless steel		65 g



Photo: BDSK Hoteleinrichtung Neubert



**Connection:** LED transformer DC 350 mA  
**Life:** L70/B10 ≥ 60.000 hours  
**Energy efficiency:** LED ww/nw/cw: 75-95 / 100 / 105 lm/W; luminaire ww/nw/cw: **69-87 / 89 / 94 lm**  
**Colour rendering:** ww: Ra/CRI > 90, nw+cw: Ra/CRI > 80

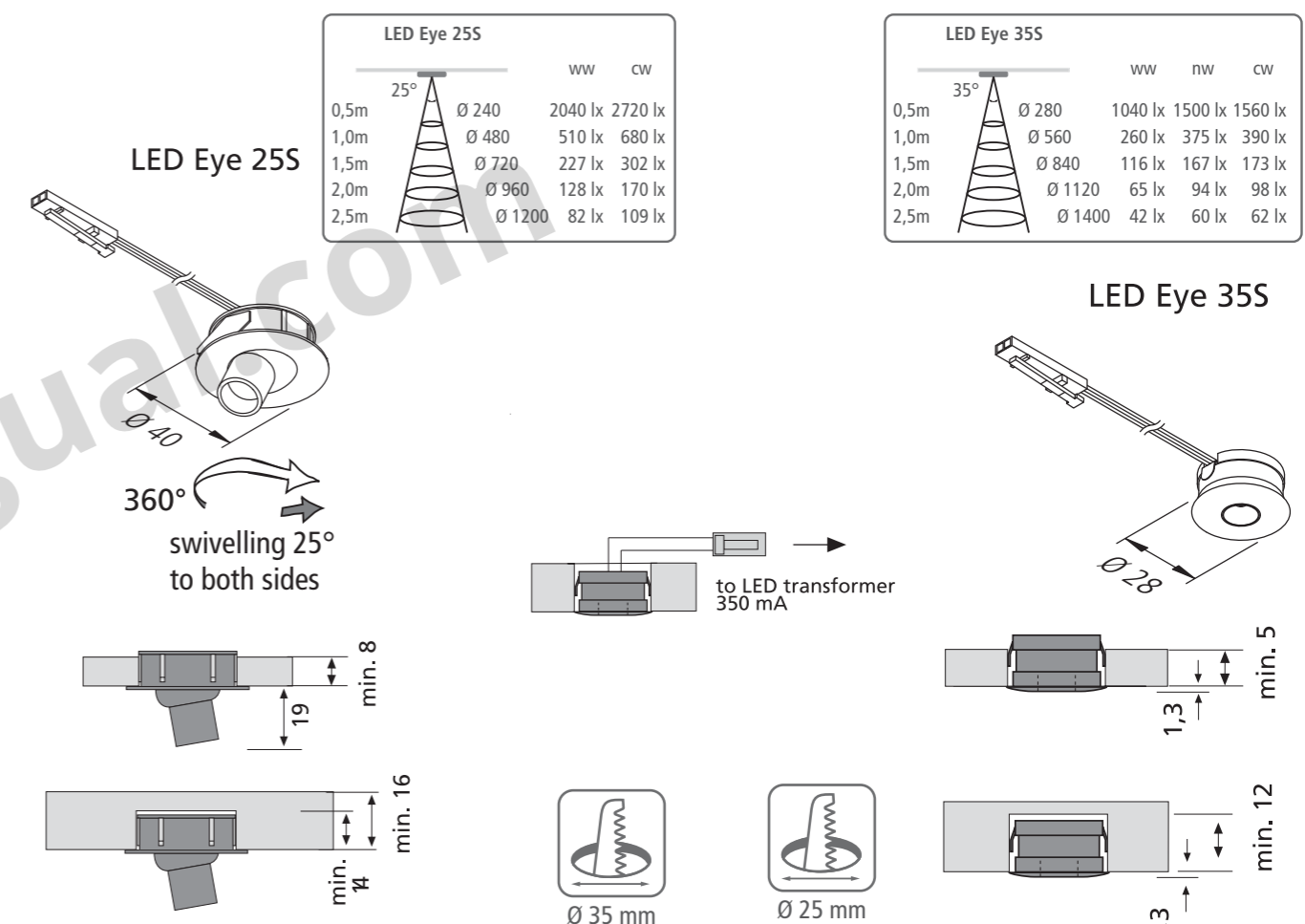


Illustration	Article No.	Description	Features	Weight approx.
	610 010 105 03	LED Eye 255 1W ww black	<ul style="list-style-type: none"> <li>supply cable 1,8m with LED plug</li> <li>colour appearance ww (warm white) approx. 3000K or cw (cool white) approx. 5000K or nw (neutral white) approx. 4000K on request</li> <li>beam angle 25°</li> <li>blind hole</li> </ul>	40 g
	610 010 105 07	LED Eye 255 1W ww anodized aluminium		40 g
	610 010 115 03	LED Eye 255 1W cw black		40 g
	610 010 115 07	LED Eye 255 1W cw anodized aluminium		40 g
	610 010 140 07	LED Eye 355 1W xw anodized aluminium	<ul style="list-style-type: none"> <li>supply cable 1,8m with LED plug</li> <li>colour appearance xw (extra warm white) approx. 2700K or ww (warm white) approx. 3000K or nw (neutral white) appr. 4000K</li> <li>beam angle 35°</li> <li>blind hole</li> </ul>	30 g
	610 010 140 08	LED Eye 355 1W xw stainless steel		30 g
	610 010 100 27	LED Eye 355 1W ww anodized aluminium		30 g
	610 010 100 28	LED Eye 355 1W ww stainless steel		30 g
	610 010 130 07	LED Eye 355 1W nw anodized aluminium		30 g
	610 010 130 08	LED Eye 355 1W nw stainless steel		30 g
	215 080 503 04	LED 350 3-way distributor	<ul style="list-style-type: none"> <li>cable 200mm with LED 350 plug</li> </ul>	25 g
	Accessories	transformers from page 240 / connecting cables page 240		



# AR 35 / AR 45

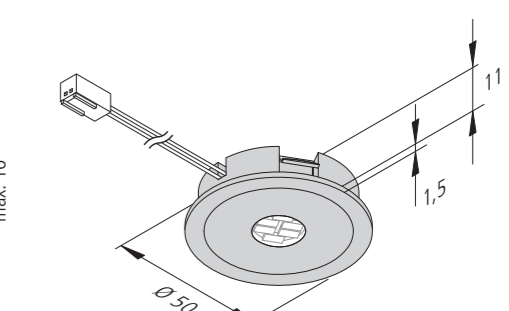
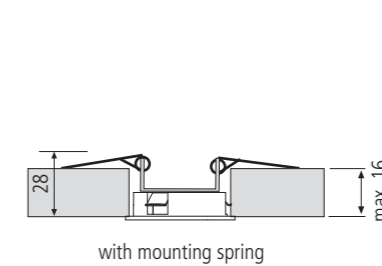
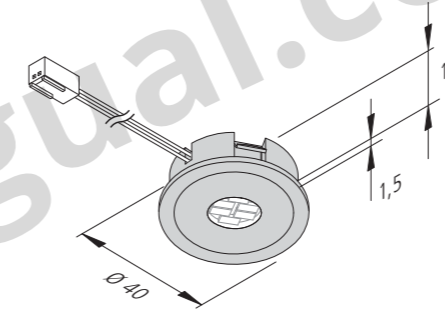
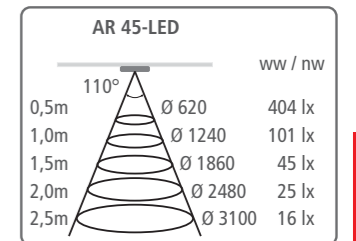
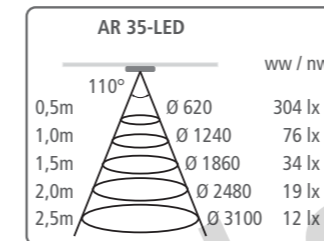
Flat recessed LED luminaire for the 35 / 45 cut-out



**Connection:** LED transformer DC 24 V  
**Life:** L70/B10 ≥ 40.000 hours  
**Energy efficiency:** LED: 140 lm/W; luminaire: **164 / 222 lm** (66 / 74 lm/W)  
**Colour rendering:** Ra/CRI > 90

### Special features:

- metal casing and genuine glass cover
- with mounting spring also ideal for the use in plasterboard ceilings



use spacer min. 50 mm at insulation



use spacer min. 50 mm at insulation

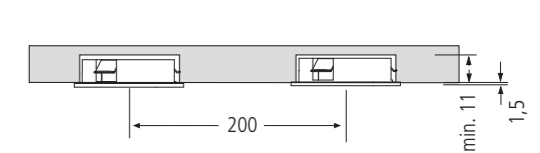
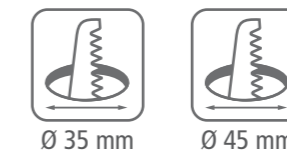
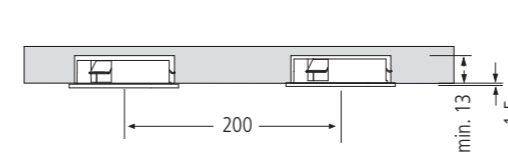


Illustration	Article No.	Description	Features	Weight approx.
	202 025 302 01	AR 35-LED 2,5W ww stainless steel	• colour appearance ww (warm white) appr. 3000K • supply cable 2,5m with LED 24-plug	47 g
	202 025 303 01	AR 35-LED 2,5W nw stainless steel	• colour appearance nw (neutral white) approx. 4000K • supply cable 2,5m with LED 24-plug	47 g
	615 000 301 21	Mounting spring AR 35	• for mounting in lightweight design ceilings or aluminium profiles	15 g
	202 024 602 01	AR 45-LED 3W ww stainless steel	• colour appearance ww (warm white) approx. 3000K • supply cable 2,5m with LED 24 plug	55 g
	202 024 603 01	AR 45-LED 3W nw stainless steel	• colour appearance nw (neutral white) approx. 4000K • supply cable 2,5m with LED 24-plug	55 g
	615 000 301 11	Mounting spring AR 45	• for mounting in plasterboard design ceilings or aluminium profiles	20 g
	215 300 610 01	LED 24 connecting cable 1,0m	• up to max. 60W usable • further information on page 250	9 g
	215 300 625 01	LED 24 connecting cable 2,5m		22 g
<b>Accessories</b>		<b>LED transformers 24V from page 230 / Dim-controller page 238</b>		





# SR 45

Flat, recessed swivel and tilt LED luminaire



**Connection:** LED transformer DC 350 mA  
**Life:** L70/B10 ≥ 60.000 hours  
**Energy efficiency:** LED: 120 lm/W; luminaire: **485 lm** (100 lm/W)  
**Colour rendering:** Ra/CRI > 90

SR 45-LED		ww	nw
0,5m	∅ 300	3560 lx	3760 lx
1,0m	∅ 600	890 lx	940 lx
1,5m	∅ 900	396 lx	418 lx
2,0m	∅ 1200	223 lx	235 lx
2,5m	∅ 1500	142 lx	150 lx

### Special features:

- swivels and tilts 20° to both sides
- metal casing

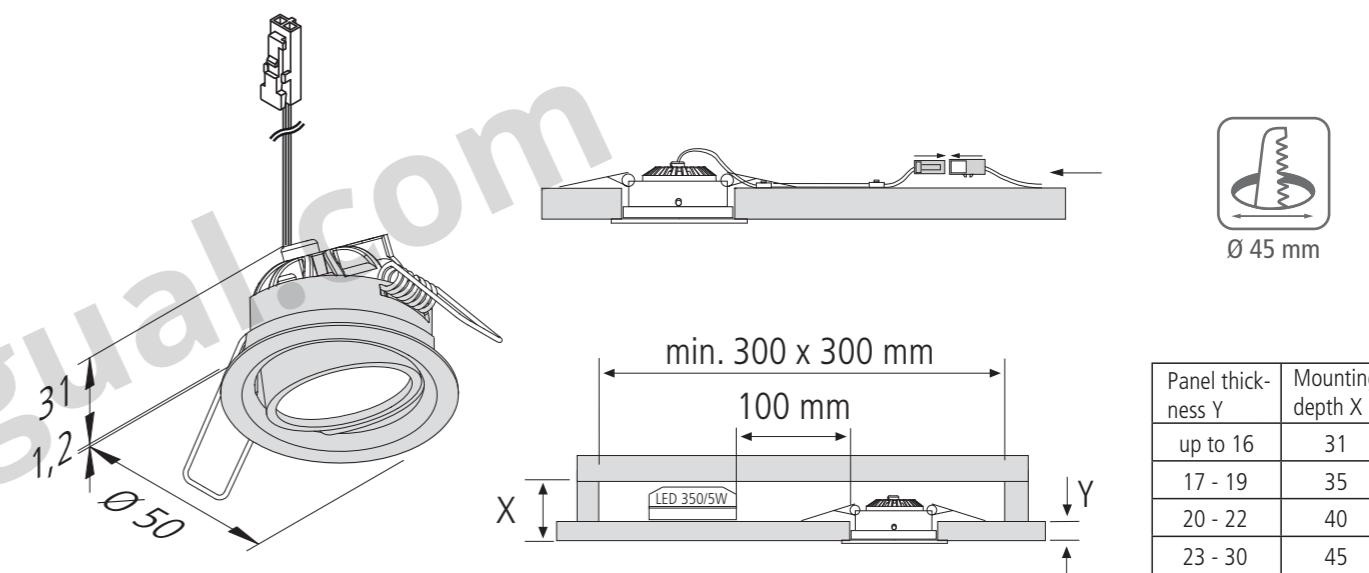


Illustration	Article No.	Description	Features	Weight approx.
	202 025 701 02	SR 45-LED 4,8W ww white	<ul style="list-style-type: none"> <li>• colour appearance ww (warm white) approx. 3000K</li> <li>• supply cable 0,2m with LED 350 plug</li> </ul>	50 g
	202 025 708 02	SR 45-LED 4,8W ww stainless steel		50 g
	202 025 701 03	SR 45-LED 4,8W nw white		50 g
	202 025 708 03	SR 45-LED 4,8W nw stainless steel		50 g
	215 250 610 01	LED 350 connecting cable 1m		12 g
	215 250 620 01	LED 350 connecting cable 2m		20 g
	206 040 027 01	Transformer LED 350/5W with one socket	<ul style="list-style-type: none"> <li>• for 1 SR 45</li> <li>• mains cable 0,3 m with ferrules (for easy ceiling suspension on 230 V)</li> </ul>	50 g
	615 003 009 03	Transformer LED 350/9W 3-way distributor with Euro plug		<ul style="list-style-type: none"> <li>• for 1 - 2 SR 45</li> <li>• mains cable 2m with Euro plug</li> </ul>
	615 003 009 43	Transformer LED 350/16W with 3-way distributor	<ul style="list-style-type: none"> <li>• for 3 SR 45</li> <li>• mains cable 2m with Euro plug</li> </ul>	
	615 003 009 45	Transformer LED 350/16W with 5-way distributor		<ul style="list-style-type: none"> <li>• for 4 SR 45</li> <li>• mains cable 2m with Euro plug</li> </ul>
	615 003 009 28	Transformer LED 350/2x9W dim 2x 3-way distributor (1-10V)	<ul style="list-style-type: none"> <li>• for 4 SR 45</li> <li>• mains cable 2m with Euro plug</li> <li>• dim control cable 0,2m with Mini-AMP plug</li> <li>• dim current &lt; 1mA</li> </ul>	280 g
	506 180 401 01	Mounting dimmer switch (1-10V)	<ul style="list-style-type: none"> <li>• dimmer cable 2m with Mini AMP-socket</li> </ul>	95 g



Photo: Sachsenkitchen

# DYNAMIC FAR / FAQ 58

Recessed LED luminaire with planar light and adjustable colour appearance



**Connection:** LED transformer DC 24 V  
**Life:** L70/B10 ≥ 60.000 hours  
**Energy efficiency:** LED: 120 lm/W;  
 luminaire: **225 lm** (75 lm/W)  
**Colour rendering:** Ra/CRI > 93

Dynamic FAR 58-LED		
	xw	cw
0,5m	352 lx	376 lx
1,0m	88 lx	94 lx
1,5m	39 lx	42 lx
2,0m	22 lx	24 lx
2,5m	14 lx	15 lx

Dynamic FAQ 58-LED		
	xw	cw
0,5m	352 lx	376 lx
1,0m	88 lx	94 lx
1,5m	39 lx	42 lx
2,0m	22 lx	24 lx
2,5m	14 lx	15 lx

### Special features:

- metal casing
- flush mounting in 16 mm panels
- no visible luminous spots
- colour appearance adjustable between approx. 2700K (xw) and 5000K (cw)

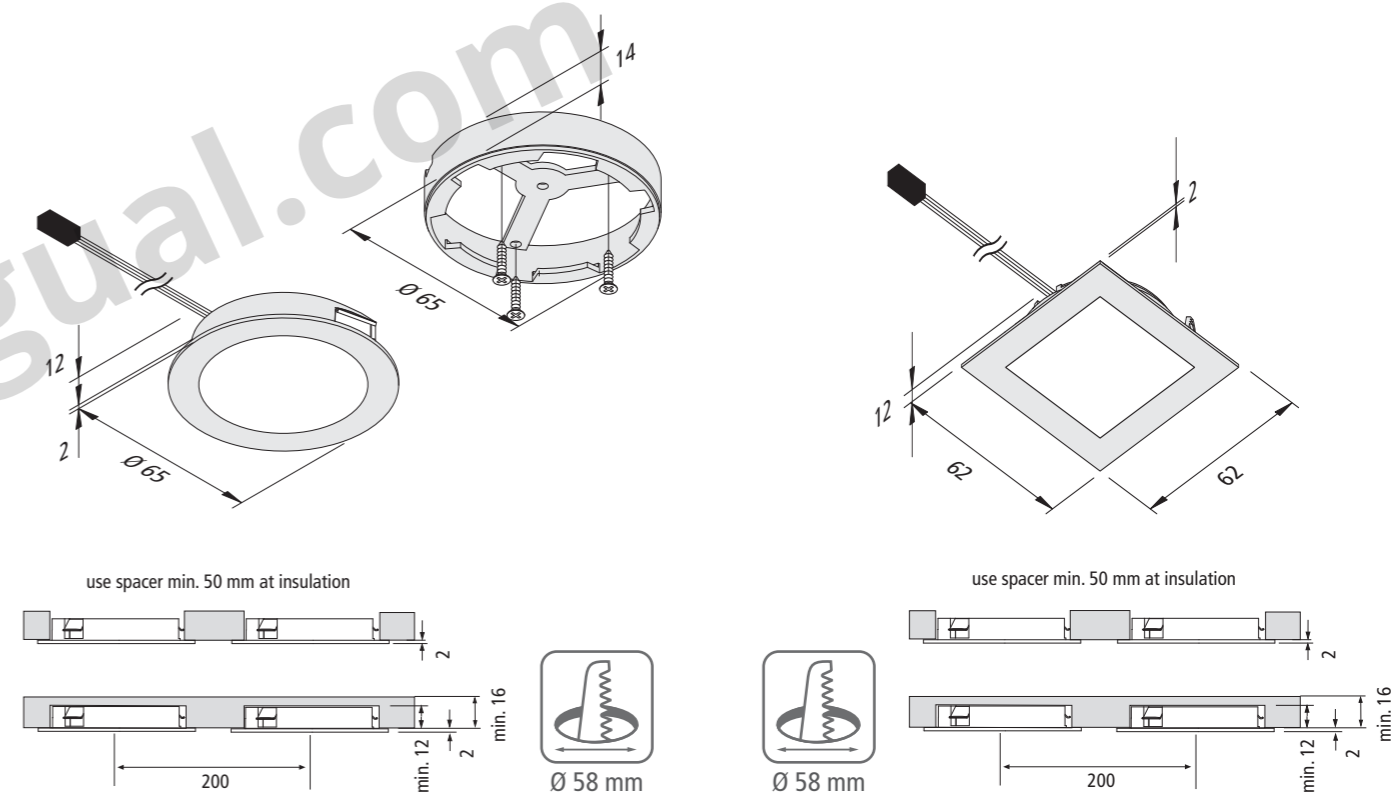
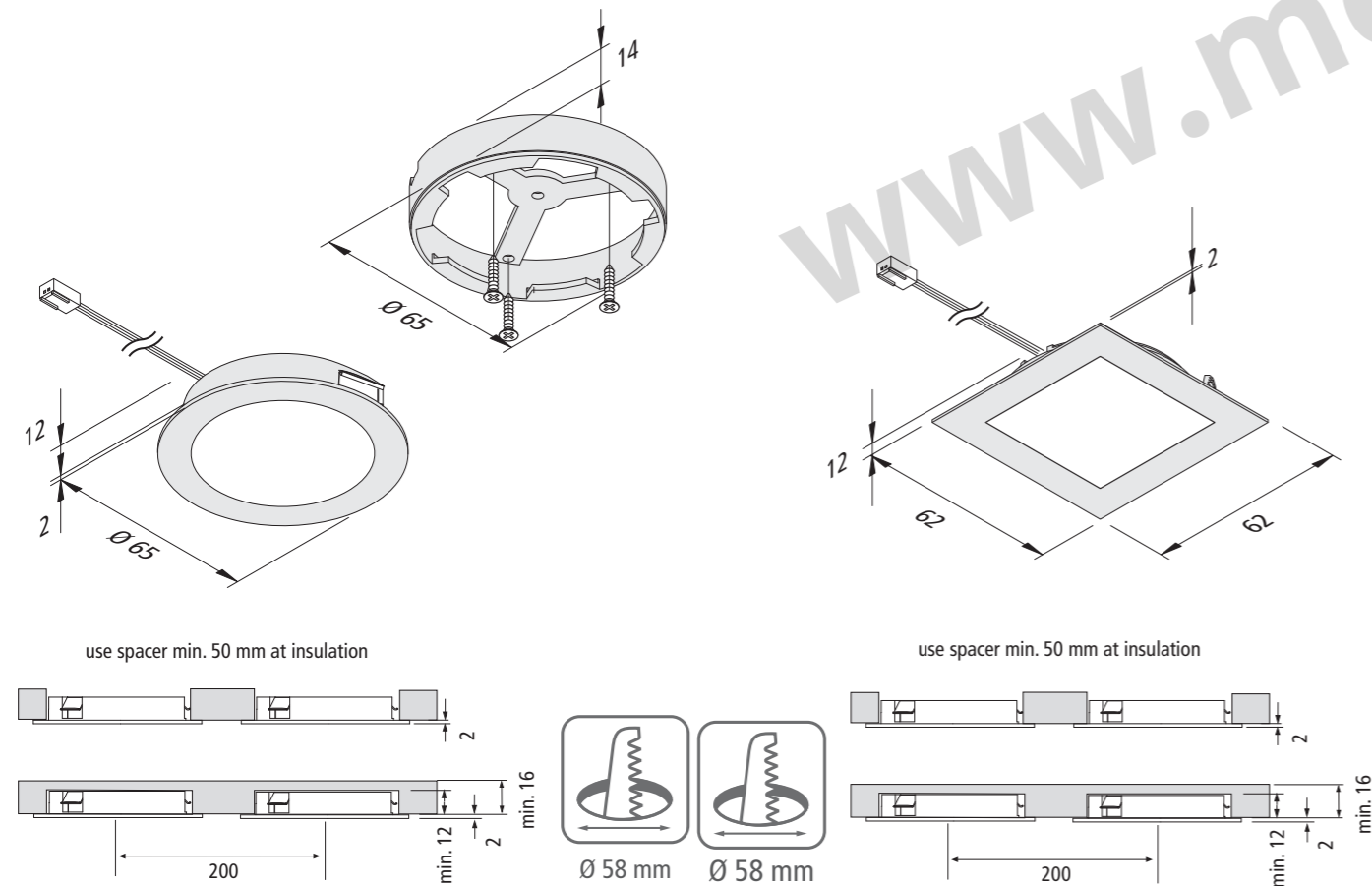
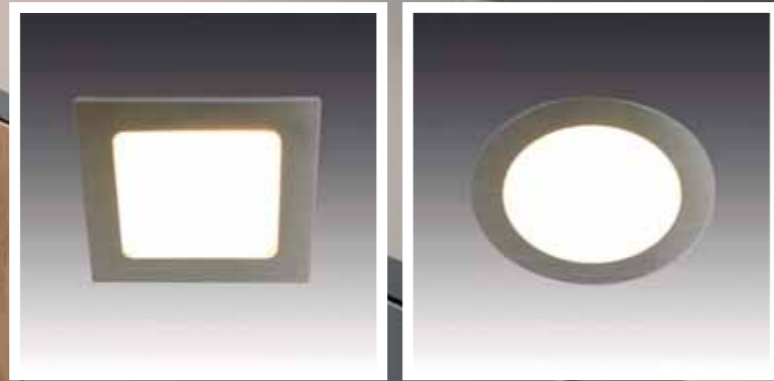


Illustration	Article No.	Description	Features	Weight approx.
	202 031 600 08	Dynamic FAR 58-LED 3W stainless steel look	<ul style="list-style-type: none"> <li>• colour appearance adjustable between approx. 2700K and 5000K</li> <li>• supply cable pluggable 2,5m with Dynamic-plug</li> </ul>	84 g
	205 010 221 08	Mounting ring AR 58 stainless steel look <b>NEW</b>	<ul style="list-style-type: none"> <li>• incl. fastening screw</li> </ul>	12 g
	202 031 650 08	Dynamic FAQ 58-LED 3W stainless steel look	<ul style="list-style-type: none"> <li>• colour appearance adjustable between approx. 2700K and 5000K</li> <li>• supply cable pluggable 2,5m with Dynamic-plug</li> </ul>	92 g
	Accessories	Alexa, DALI and BLE controller page 237		

<sup>1)</sup> blind hole mounting



Photo: Schröder Küchen



# FAR 58

Flat recessed LED luminaire with homogeneous planar light



**Connection:** LED transformer DC 24 V  
**Life:** L70/B10 ≥ 60.000 hours  
**Energy efficiency:** LED: 120 lm/W; luminaire: **225 lm** (75 lm/W)  
**Colour rendering:** Ra/CRI > 93

FAR 58		ww	nw
0,5m	Ø 640	352 lx	376 lx
1,0m	Ø 1280	88 lx	94 lx
1,5m	Ø 1920	39 lx	42 lx
2,0m	Ø 2560	22 lx	24 lx
2,5m	Ø 3200	14 lx	15 lx

### Special features:

- housing in metal construction
- flush mounting in 16 mm panels
- no visible luminous spots

FAQ 58-LED		ww	nw
0,5m	Ø 640	352 lx	376 lx
1,0m	Ø 1280	88 lx	94 lx
1,5m	Ø 1920	39 lx	42 lx
2,0m	Ø 2560	22 lx	24 lx
2,5m	Ø 3200	14 lx	15 lx

Illustration	Article No.	Description	Features	Weight approx.
	202 031 480 02	FAR 58-LED 3W ww stainless steel look	<ul style="list-style-type: none"> <li>• colour appearance ww (warm white) approx. 3000K or nw (neutral white) approx. 4000K</li> <li>• supply cable pluggable 2,5m with LED 24 plug</li> </ul>	69 g
	202 031 430 03	FAR 58-LED 3W nw black <b>NEW</b>		69 g
	202 031 480 03	FAR 58-LED 3W nw stainless steel look		69 g
	610 604 300 02	set of 3 FAR 58-LED 3W ww stainless steel look <b>NEW</b>	• incl. transformer 15W (expandable up to 5 pcs.)	430 g
	610 604 300 03	set of 3 FAR 58-LED 3W nw stainless steel look <b>NEW</b>		430 g
	610 604 500 02	set of 5 FAR 58-LED 3W ww stainless steel look <b>NEW</b>	• incl. transformer 30W (expandable up to 10 pcs.)	735 g
	610 604 500 03	set of 5 FAR 58-LED 3W nw stainless steel look <b>NEW</b>		735 g
	205 010 221 03	Mounting ring AR 58 black <b>NEW</b>	• incl. fastening screw	12 g
	205 010 221 08	Mounting ring AR 58 stainless steel look <b>NEW</b>		12 g
	202 031 580 02	FAQ 58-LED 3W ww stainless steel look	<ul style="list-style-type: none"> <li>• colour appearance ww (warm white) approx. 3000K or nw (neutral white) approx. 4000K</li> <li>• supply cable pluggable 2,5m with LED 24 plug</li> </ul>	78 g
	202 031 530 03	FAQ 58-LED 3W nw black <b>NEW</b>		78 g
	202 031 580 03	FAQ 58-LED 3W nw stainless steel look		78 g
	610 604 310 02	set of 3 FAQ 58-LED 3W ww stainless steel look <b>NEW</b>	• incl. transformer 15W (expandable up to 5 pcs.)	470 g
	610 604 310 03	set of 3 FAQ 58-LED 3W nw stainless steel look <b>NEW</b>		470 g
	610 604 510 02	set of 5 FAQ 58-LED 3W ww stainless steel look <b>NEW</b>	• incl. transformer 30W (expandable up to 10 pcs.)	795 g
	610 604 510 03	set of 5 FAQ 58-LED 3W nw stainless steel look <b>NEW</b>		795 g
Accessories		LED transformers 24V from page 230 / dim controller page 238		

Introduction

Power supply track system

Linear luminaires

Recessed and surface mounted luminaires

Showcase and over cabinet luminaires

Under cabinet luminaires

Accessories

Appendix

<sup>1)</sup> blind hole mounting



# DYNAMIC FAR / FAQ 68

Recessed LED luminaire with planar light and adjustable colour appearance



**Connection:** LED transformer DC 24 V  
**Life:** L70/B10 ≥ 60.000 hours  
**Energy efficiency:** LED: 120 lm/W; luminaire: **225 lm** (75 lm/W)  
**Colour rendering:** Ra/CRI > 93

Dynamic FAR / FAQ 68-LED				
		xw	nw	cw
0,5m	Ø 620	336 lx	352 lx	364 lx
1,0m	Ø 1240	84 lx	88 lx	91 lx
1,5m	Ø 1860	37 lx	39 lx	40 lx
2,0m	Ø 2480	21 lx	22 lx	23 lx
2,5m	Ø 3100	13 lx	14 lx	15 lx

### Special features:

- housing in metal construction
- flush mounting in 16 mm panels
- no visible luminous spots
- colour appearance adjustable between 2700K (xw) and 5000K (cw)

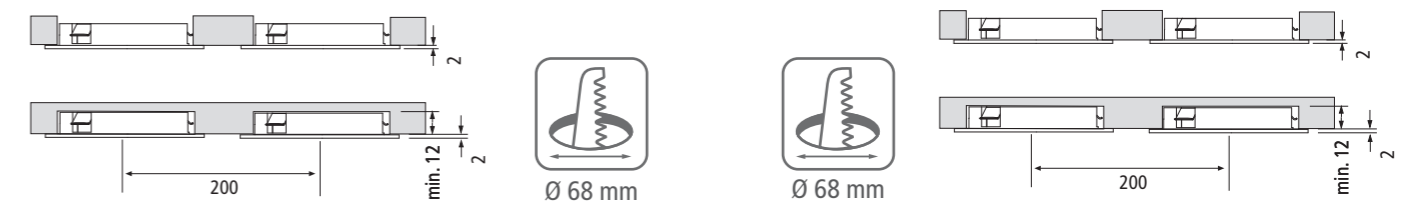
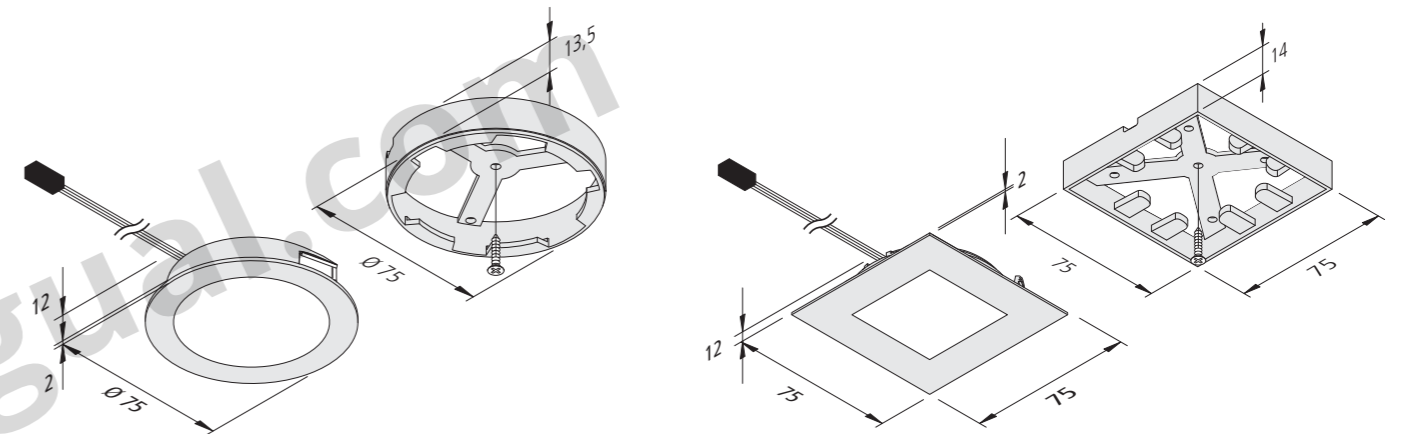


Illustration	Article No.	Description	Features	Weight approx.
	202 031 900 03	Dynamic FAR 68-LED 3W black	<ul style="list-style-type: none"> <li>• colour appearance adjustable between approx. 2700K and 5000K</li> <li>• supply cable pluggable 2,5m with Dynamic-plug</li> </ul>	77 g
	202 031 900 08	Dynamic FAR 68-LED 3W stainless steel look		77 g
	205 010 219 03	Mounting ring AR 68 black	<ul style="list-style-type: none"> <li>• incl. fastening screw</li> </ul>	12 g
	205 010 219 08	Mounting ring AR 68 stainless steel		12 g
	202 031 950 03	Dynamic FAQ 68-LED 3W black	<ul style="list-style-type: none"> <li>• colour appearance adjustable between approx. 2700K and 5000K</li> <li>• supply cable pluggable 2,5m with Dynamic-plug</li> </ul>	97 g
	202 031 950 08	Dynamic FAQ 68-LED 3W stainless steel look		97 g
	205 010 220 03	Mounting ring AQ 68 black	<ul style="list-style-type: none"> <li>• incl. fastening screws</li> </ul>	12 g
	205 010 220 08	Mounting ring AQ 68 stainless steel		12 g
	615 000 301 01	Mounting spring ARF 68/78/Q	<ul style="list-style-type: none"> <li>• for mounting in lightweight design ceilings or aluminium profiles</li> </ul>	24 g
	Accessories	Alexa, DALI and BLE Controller page 237		



# AR 68

Flat recessed LED luminaire with low glare

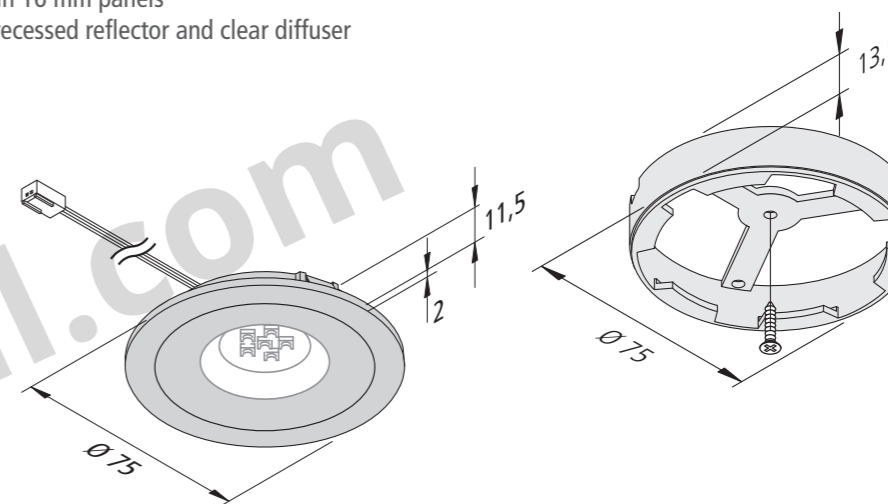


**Connection:** LED transformer DC 24 V  
**Life:** L70/B10 ≥ 60.000 hours  
**Energy efficiency:** LED: 120 lm/W; luminaire: **300 lm** (75 lm/W)  
**Colour rendering:** Ra/CRI > 93

AR 68-LED				
		xw	ww	nw
0,5m	60° Ø 425	1008 lx	1080 lx	1156 lx
1,0m	Ø 850	252 lx	270 lx	289 lx
1,5m	Ø 1275	112 lx	120 lx	128 lx
2,0m	Ø 1700	63 lx	68 lx	72 lx
2,5m	Ø 2125	40 lx	43 lx	46 lx

### Special features:

- metal casing
- flush mounting in 16 mm panels
- glare-free with recessed reflector and clear diffuser



use spacer min. 50 mm at insulation

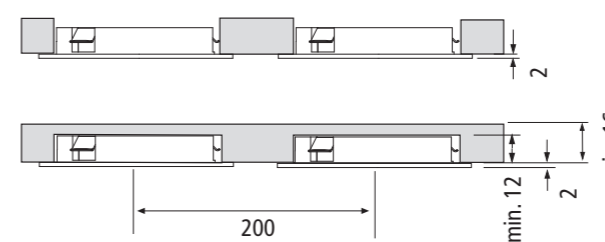


Illustration	Article No.	Description	Features	Weight approx.
	202 032 330 04	AR 68-LED 4W xw black	<ul style="list-style-type: none"> <li>• colour appearance xw (extra warm white) approx. 2700K or ww (warm white) approx. 3000K or nw (neutral white) approx. 4000K</li> <li>• supply cable pluggable 2,5m with LED 24 plug</li> </ul>	79 g
	202 032 380 04	AR 68-LED 4W xw stainless steel look		79 g
	202 032 330 02	AR 68-LED 4W ww black		79 g
	202 032 380 02	AR 68-LED 4W ww stainless steel look		79 g
	202 032 330 03	AR 68-LED 4W nw black		79 g
	202 032 380 03	AR 68-LED 4W nw stainless steel look		79 g
	205 010 219 03	Mounting ring AR 68 black	• incl. fastening screw	12 g
	205 010 219 08	Mounting ring AR 68 stainless steel		12 g
	615 000 301 01	Mounting spring ARF 68/78/Q	• for mounting in lightweight design ceilings or aluminium profiles	24 g
Accessories		LED transformers 24V from page 230 / dim controller page 238		



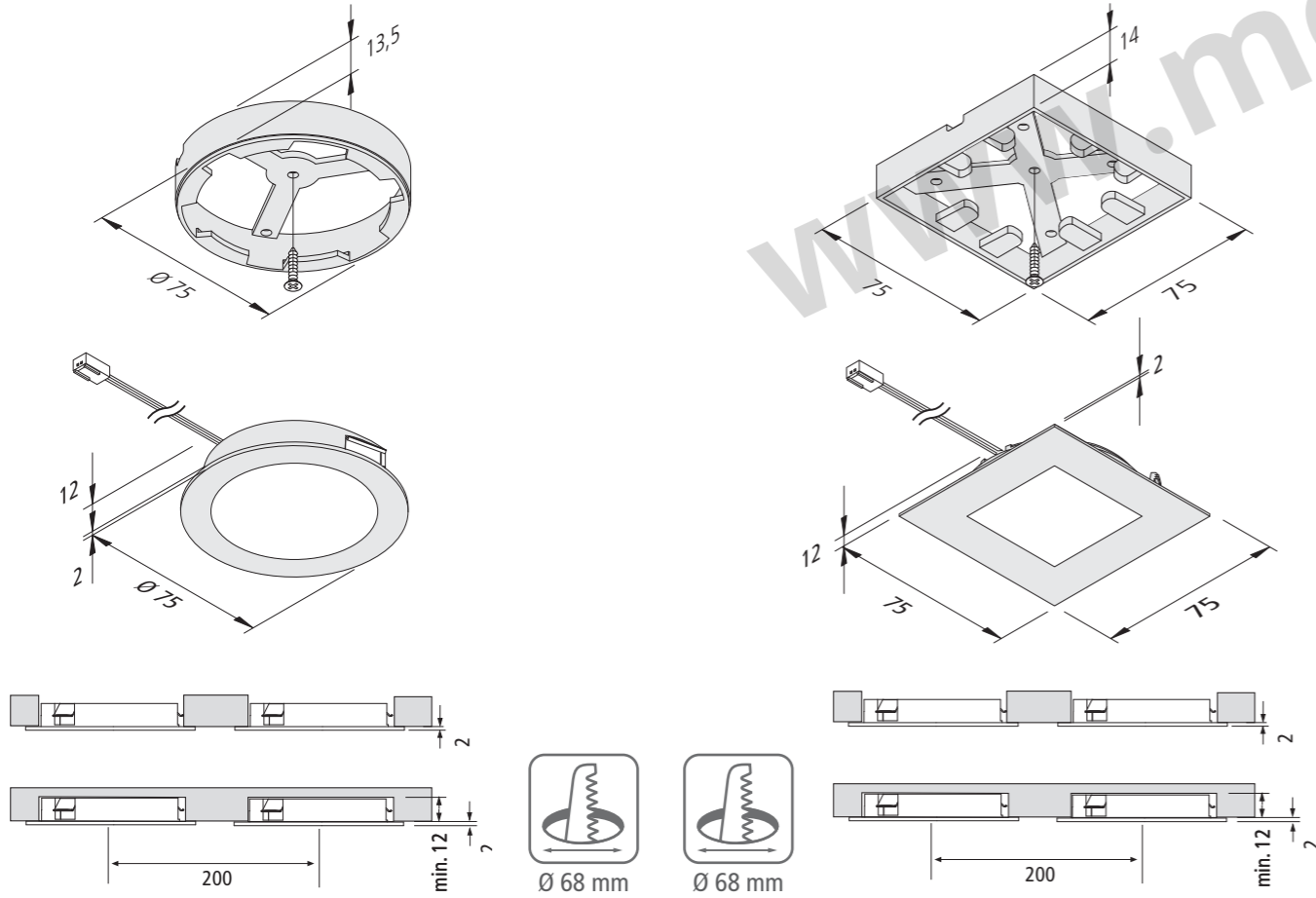
**Connection:** LED transformer DC 24 V  
**Life:** L70/B10 ≥ 60.000 hours  
**Energy efficiency:** LED: 120 lm/W; luminaire: 312 lm (78 lm/W)  
**Colour rendering:** Ra/CRI > 93

FAR / FAQ 68-LED			
	xw	ww	nw
0,5m	432 lx	464 lx	480 lx
1,0m	108 lx	116 lx	120 lx
1,5m	48 lx	52 lx	53 lx
2,0m	27 lx	29 lx	30 lx
2,5m	17 lx	19 lx	19 lx

**Special features:**

- housing in metal construction
- flush mounting in 16 mm panels
- no visible luminous spots

Illustration	Article No.	Description	Features	Weight approx.
	202 031 780 04	FAR 68-LED 4W xw stainless steel look	<ul style="list-style-type: none"> <li>• colour appearance xw (extra warm white) approx. 2700K or ww (warm white) approx. 3000K or nw (neutral white) approx. 4000K</li> <li>• supply cable pluggable 2,5m with LED 24 plug</li> </ul>	80 g
	202 031 730 02	FAR 68-LED 4W ww black		80 g
	202 031 780 02	FAR 68-LED 4W ww stainless steel look		80 g
	202 031 780 03	FAR 68-LED 4W nw stainless steel look		80 g
	610 605 300 02	set of 3 FAR 68-LED 4W ww stainless steel look	• incl. transformer 15W	470 g
	610 605 300 03	set of 3 FAR 68-LED 4W nw stainless steel look		470 g
	610 605 500 02	set of 5 FAR 68-LED 4W ww stainless steel look	• incl. transformer 30W (expandable up to 7 pcs.)	810 g
	610 605 500 03	set of 5 FAR 68-LED 4W nw stainless steel look		810 g
	205 010 219 03	Mounting ring AR 68 black	• incl. fastening screw	12 g
	205 010 219 08	Mounting ring AR 68 stainless steel		12 g
	202 031 880 04	FAQ 68-LED 4W xw stainless steel look	<ul style="list-style-type: none"> <li>• colour appearance xw (extra warm white) approx. 2700K or ww (warm white) approx. 3000K or nw (neutral white) approx. 4000K</li> <li>• supply cable pluggable 2,5m with LED 24 plug</li> </ul>	97 g
	202 031 880 02	FAQ 68-LED 4W ww stainless steel look		97 g
	202 031 880 03	FAQ 68-LED 4W nw stainless steel look		97 g
	610 605 310 02	set of 3 FAQ 68-LED 4W ww stainless steel look	• incl. transformer 15W	535 g
	610 605 310 03	set of 3 FAQ 68-LED 4W nw stainless steel look		535 g
	610 605 510 02	set of 5 FAQ 68-LED 4W ww stainless steel look	• incl. transformer 30W (expandable up to 7 pcs.)	910 g
	610 605 510 03	set of 5 FAQ 68-LED 4W nw stainless steel look		910 g
	205 010 220 08	Mounting ring AQ 68 stainless steel	• incl. fastening screws	12 g
	615 000 301 01	Mounting spring ARF 68/78/Q	• for mounting in lightweight design ceilings or aluminium profiles	24 g
Accessories	LED transformers 24V from page 230 / dim controller page 238			



<sup>1)</sup> blind hole mounting



# HV FR 68 / 78

LED luminaire with homogeneous planar light for 230 V



**Connection:** 220 - 240V / 50 - 60Hz  
**Life:** L70/B10 ≥ 40.000 hours  
**Energy efficiency:** LED: 129 lm/W; luminaire: **200 lm** (67 lm/W)  
**Colour rendering:** Ra/CRI > 84

HV FR-68/78-LED		ww	nw
0,5m	Ø 620	296 lx	296 lx
1,0m	Ø 1240	74 lx	74 lx
1,5m	Ø 1860	33 lx	33 lx
2,0m	Ø 2480	19 lx	19 lx
2,5m	Ø 3100	12 lx	12 lx

### Special features:

- integrated electronic ballast
- with easy-to-mount HVL CS plug-in system (drill hole Ø 8mm) and clamping ribs for fast and easy installation
- recommended phase dimmer: Busch-Jaeger 6523U-102 or Sygonix 33594C

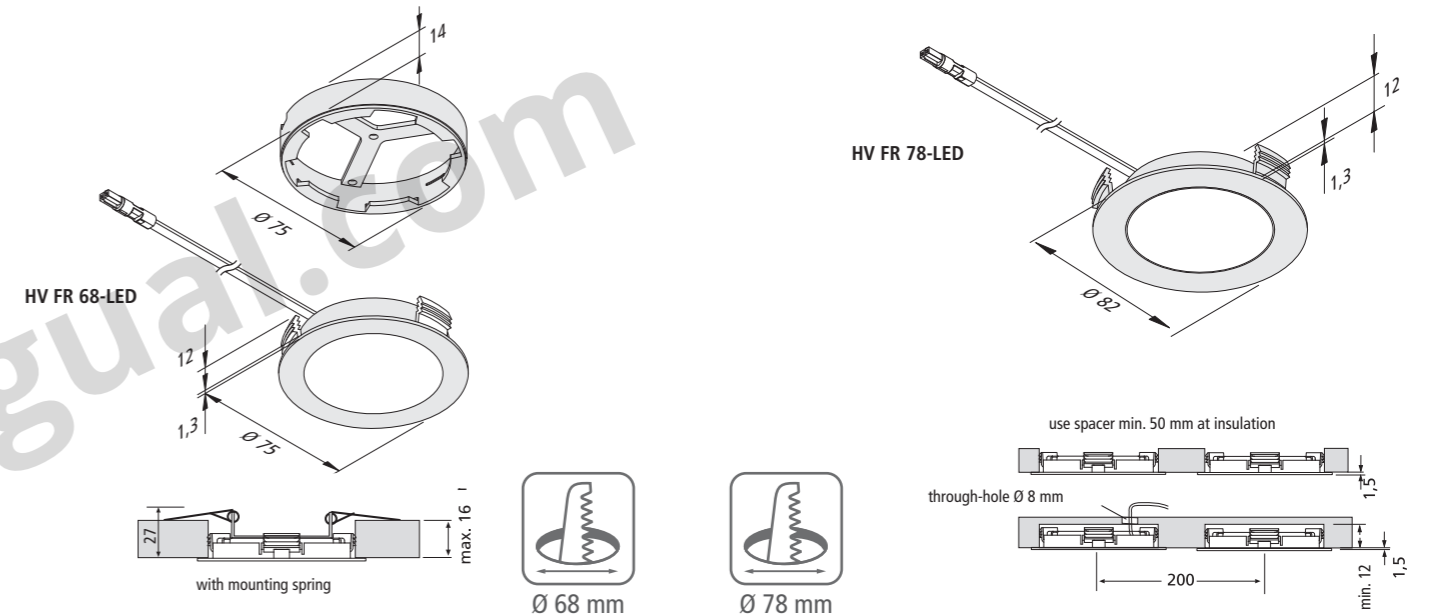


Illustration	Article No.	Description	Features	Weight approx.
	610 022 102 06	HV FR 68-LED 3W ww matt chrome	<ul style="list-style-type: none"> <li>• colour appearance ww (warm white) approx. 3000K or nw (neutral white) approx. 4000K</li> <li>• supply cable 2m with HVLCS plug</li> <li>• recommended phase dimmer: Busch-Jaeger 6523U or Sygonix 33594C</li> <li>• black version on request</li> </ul>	100 g
	610 022 102 08	HV FR 68-LED 3W ww stainless steel look		100 g
	610 022 103 06	HV FR 68-LED 3W nw matt chrome		100 g
	610 022 103 08	HV FR 68-LED 3W nw stainless steel look		100 g
	205 010 211 06	Mounting ring R 68 matt chrome	• incl. fastening screw	12 g
	205 010 211 08	Mounting ring R 68 stainless steel look		12 g
	610 022 202 06	HV FR 78-LED 3W ww matt chrome	<ul style="list-style-type: none"> <li>• colour appearance ww (warm white) approx. 3000K or nw (neutral white) approx. 4000K</li> <li>• supply cable 2m with HVLCS plug</li> <li>• recommended phase dimmer: Busch-Jaeger 6523U or Sygonix 33594C</li> <li>• black version on request</li> </ul>	100 g
	610 022 202 08	HV FR 78-LED 3W ww stainless steel look		100 g
	610 022 203 06	HV FR 78-LED 3W nw matt chrome		100 g
	610 022 203 08	HV FR 78-LED 3W nw stainless steel look		100 g
	615 000 301 31	Mounting spring HV 68/78	• for mounting in plasterboard ceilings or aluminium profiles	16 g
	215 440 320 01	HVLCS 43/2000 mains cable with Euro 2m	• with Euro plug	90 g
	215 441 120 01	HVLCS V/2000 6-way distributor with Euro 2m		120 g
	215 440 605 01	HVLCS 46/ 500 connecting cable 0,5m		30 g
	215 440 610 01	HVLCS 46/1000 connecting cable 1m		45 g
	215 440 615 01	HVLCS 46/1500 connecting cable 1,5m		60 g
	215 440 620 01	HVLCS 46/2000 connecting cable 2m		75 g



# DIM-2-WARM SR 68

Colour appearance gets warmer while dimming



**Connection:** LED transformer DC 350 mA  
**Life:** L70/B10 ≥ 39.000 hours  
**Energy efficiency:** LED: 93 lm/W; luminaire: 455 lm (70 lm/W)  
**Colour rendering:** Ra/CRI > 92

Dim-2-Warm SR68		
		350mA
0,5m	43°	Ø 360 3016 lx
1,0m		Ø 720 754 lx
1,5m		Ø 1080 335 lx
2,0m		Ø 1440 189 lx
2,5m		Ø 1800 121 lx

### Special features:

- swivels and tilts 20° to both sides
- metal casing
- colour appearance ww (warm white) approx. 3000 K is getting warmer (up to 2000 K) while dimming (trailing edge dimmer only)
- suitable for screen workplaces! (UGR < 19)

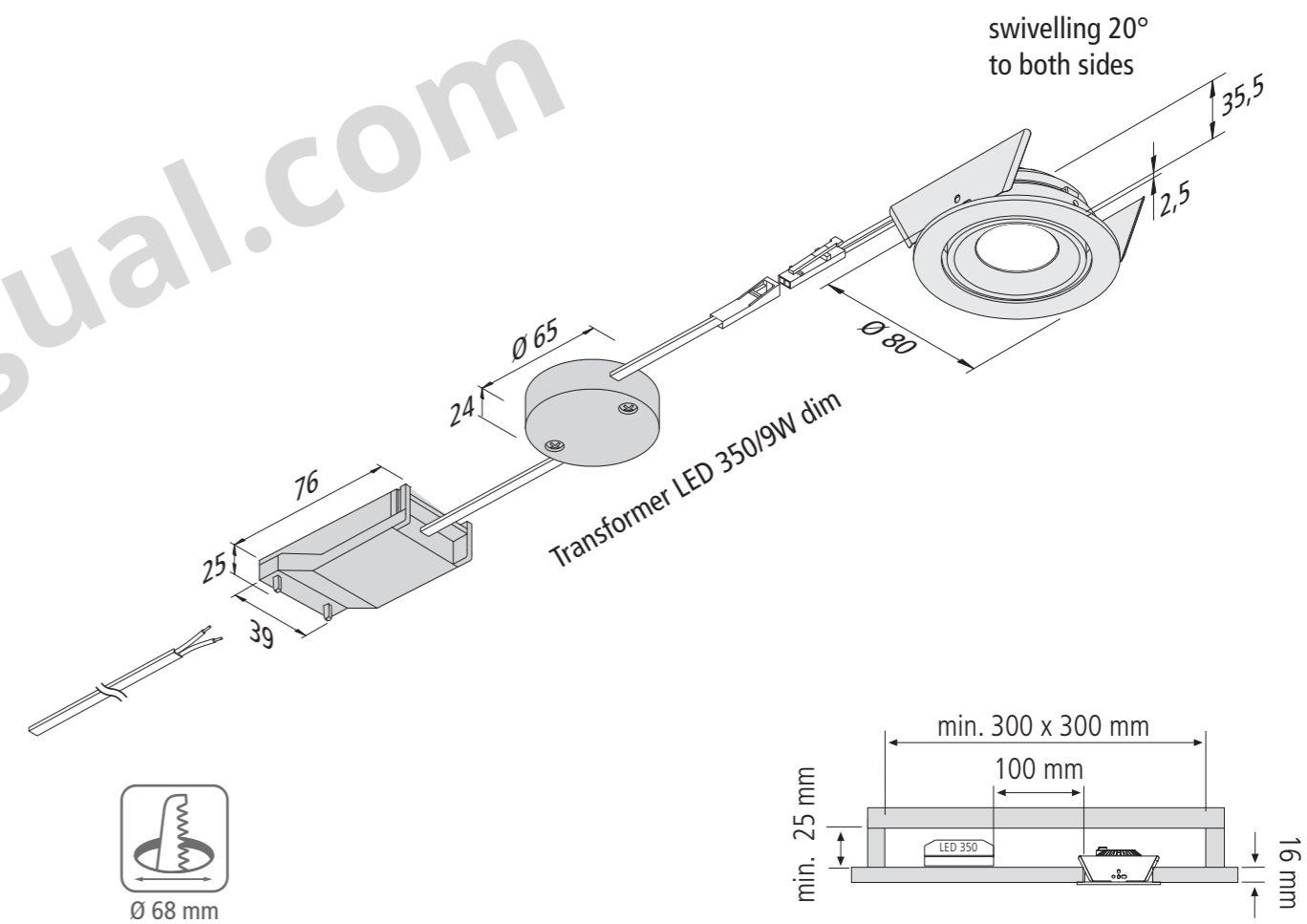


Illustration	Article No.	Description	Features	Weight approx.
	202 030 102 01	Dim-2-Warm SR 68 6,5W ww white	<ul style="list-style-type: none"> <li>• colour appearance ww (warm white) approx. 3000K is getting warmer (up to 2000K) while dimming (trailing edge dimmer only)</li> <li>• supply cable 0,2m with LED 350 plug</li> </ul>	120 g
	202 030 102 06	Dim-2-Warm SR 68 6,5W ww matt chrome		120 g
	202 030 102 08	Dim-2-Warm SR 68 6,5W ww stainless steel look		120 g
	206 040 015 12	Transformer LED 350/ 9W dim with one socket	<ul style="list-style-type: none"> <li>• incl. connection terminal for 230V with integrated through-wiring</li> <li>• minimum load: 1x SR 45 / SR68 (4,8W) / 1x Dim-2-Warm SR 68 / 5x LED Eye 1W</li> <li>• recommended phase dimmer: Sygonix 33594C or Jung 1730DD</li> </ul>	240 g
Accessories		Adapter rings page 163		





# DYNAMIC SR 68

Recessed swivel and tilt LED luminaire with adjustable colour appearance

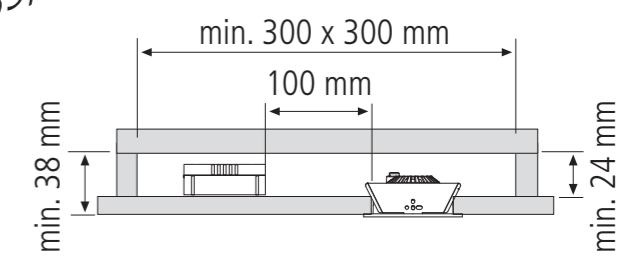
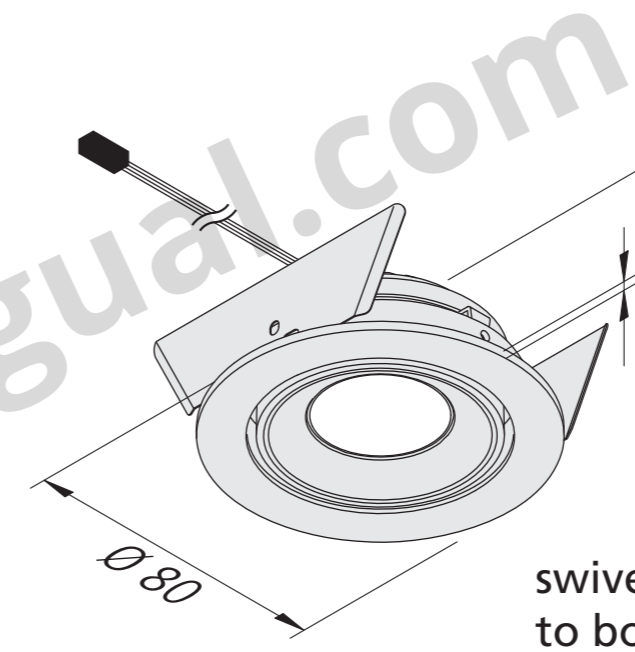


**Connection:** LED transformer DC 24 V  
**Life:** L70/B10 ≥ 55.000 hours  
**Energy efficiency:** LED: 105 lm/W; luminaire: 420 lm (65 lm/W)  
**Colour rendering:** Ra/CRI > 90

Dynamic SR 68-LED				
		xw	nw	cw
0,5m	∅ 300	2960 lx	3160 lx	3400 lx
1,0m	∅ 600	740 lx	790 lx	850 lx
1,5m	∅ 900	329 lx	351 lx	378 lx
2,0m	∅ 1200	185 lx	198 lx	213 lx
2,5m	∅ 1500	118 lx	126 lx	136 lx

### Special features:

- swivels and tilts 20° to both sides
- metal casing
- colour appearance adjustable between 2700K (xw) and 5000K (cw)
- suitable for screen workplaces! (UGR < 19)



swivelling 20°  
to both sides






  
 ∅ 68-74 mm (without ring)  
 68-84 mm (with ring)

Illustration	Article No.	Description	Features	Weight approx.
	202 027 501 01	Dynamic SR 68-LED 6,5W white	<ul style="list-style-type: none"> <li>• colour appearance adjustable between approx. 2700K and 5000K</li> <li>• supply cable 2,5m with Dynamic plug</li> </ul>	145 g
	202 027 501 06	Dynamic SR 68-LED 6,5W matt chrome		145 g
	202 027 501 08	Dynamic SR 68-LED 6,5W stainless steel look		145 g
	615 000 505 32	24V Dynamic-Controller radio 75W incl. 4 channel remote control black	<ul style="list-style-type: none"> <li>• as essential accessory</li> <li>• to adjust the colour, dim and switch</li> <li>• 12-way distributor</li> <li>• further Dynamic-controllers (e.g. BLE + DALI) page 237</li> </ul>	130 g
	615 000 505 31	24V Dynamic-Controller radio 75W incl. surface mounted remote control stainless steel look		105 g
	615 000 505 34	24V Dynamic-Controller radio 75W incl. recessed remote control stainless steel look		80 g
	215 350 610 01	Connecting cable Dynamic 1m	<ul style="list-style-type: none"> <li>• connection between distributor and luminaire</li> </ul>	16 g
	215 350 625 01	Connecting cable Dynamic 2,5m		40 g
	215 080 607 14	Dynamic 4-way distributor	<ul style="list-style-type: none"> <li>• cable 100mm with Dynamic plug</li> <li>• for 3 additional supply cables</li> </ul>	16 g
Accessories	LED transformers 24V from page 230 / DALI and BLE controller page 237 / Adapter rings page 163			



# SR 68 4.8W / 7.5W

## Recessed swivel and tilt LED luminaire



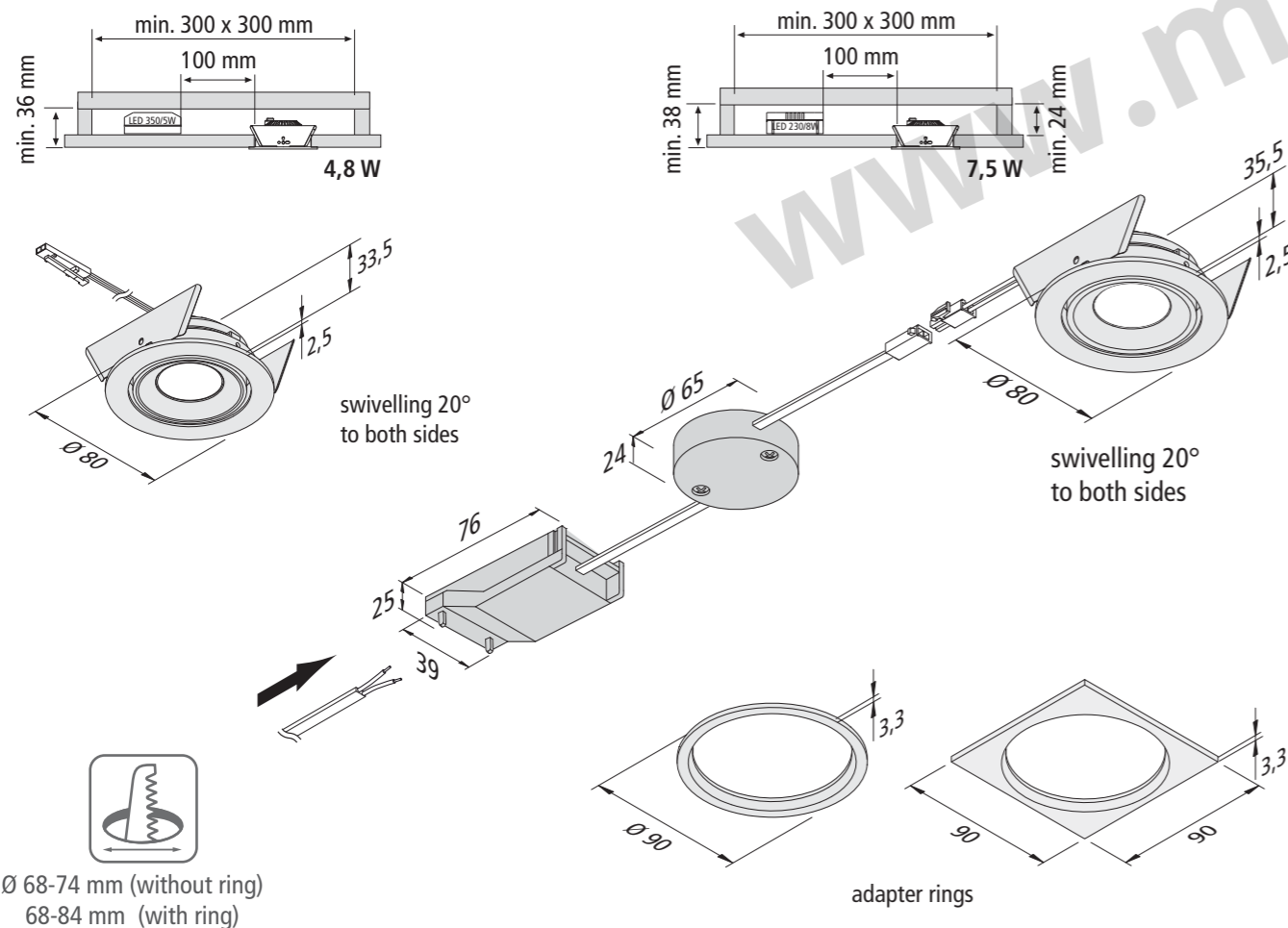
**Connection:** LED transformer DC 350 mA  
**Life:** L70/B10 ≥ 70.000 hours  
**Energy efficiency:** LED: 120 lm/W; luminaire **485 / 800 lm** (100 / 107 lm/W incl. transformer)  
**Colour rendering:** Ra/CRI > 90 / 93

### Special features:

- swivels and tilts 20° to both sides
- metal casing
- suitable for screen workplaces! (UGR < 19)

SR 68-LED 4,8W				SR 68-LED 4,8W				SR 68-LED 7,5W								
		xw	ww	nw			ww	nw			xw	ww	nw			
0,5m	35°	Ø 280	3650 lx	3880 lx	4216 lx	0,5m	22°	Ø 180	6640 lx	7120 lx	0,5m	30°	Ø 250	6320 lx	7640 lx	8280 lx
1,0m		Ø 560	912 lx	970 lx	1054 lx	1,0m		Ø 360	1660 lx	1780 lx	1,0m		Ø 500	1580 lx	1910 lx	2070 lx
1,5m		Ø 840	406 lx	431 lx	468 lx	1,5m		Ø 540	738 lx	791 lx	1,5m		Ø 750	702 lx	849 lx	920 lx
2,0m		Ø 1120	228 lx	243 lx	264 lx	2,0m		Ø 720	415 lx	445 lx	2,0m		Ø 1000	395 lx	478 lx	518 lx
2,5m		Ø 1400	146 lx	155 lx	169 lx	2,5m		Ø 900	266 lx	285 lx	2,5m		Ø 1250	253 lx	306 lx	331 lx

Illustration	Article No.	Description	Features	Weight approx.	
	202 024 017 01	SR 68-LED 4,8W 35° xw white	<ul style="list-style-type: none"> <li>• colour appearance xw (extra warm white) approx. 2700K or ww (warm white) approx. 3000K or nw (neutral white) approx. 4000K</li> <li>• supply cable 0,2m with LED 350 plug</li> <li>• beam angle 22° or 35°</li> </ul>	110 g	
	202 024 010 01	SR 68-LED 4,8W 35° xw black		NEW	110 g
	202 024 014 01	SR 68-LED 4,8W 35° xw matt chrome		110 g	
	202 024 020 01	SR 68-LED 4,8W 35° xw stainless steel look		110 g	
	202 024 002 01	SR 68-LED 4,8W 22° ww matt chrome		110 g	
	202 024 015 01	SR 68-LED 4,8W 35° ww white		110 g	
	202 024 008 01	SR 68-LED 4,8W 35° ww black		NEW	110 g
	202 024 012 01	SR 68-LED 4,8W 35° ww matt chrome		110 g	
	202 024 018 01	SR 68-LED 4,8W 35° ww stainless steel look		110 g	
	202 024 003 01	SR 68-LED 4,8W 22° nw matt chrome		110 g	
	202 024 016 01	SR 68-LED 4,8W 35° nw white		110 g	
	202 024 013 01	SR 68-LED 4,8W 35° nw matt chrome		110 g	
	202 024 019 01	SR 68-LED 4,8W 35° nw stainless steel look		110 g	
	610 014 757 01	SR 68-LED Set 7,5W 30° xw white		<ul style="list-style-type: none"> <li>• colour appearance xw (extra warm white) approx. 2700K or ww (warm white) approx. 3000K or nw (neutral white) approx. 4000K</li> <li>• incl. dimmable LED transformer with terminal clamp for 230V with integrated through-wiring</li> <li>• recommended phase dimmer: Sygonix 33596V oder Jung 1730DD</li> </ul>	260 g
	610 014 754 01	SR 68-LED Set 7,5W 30° xw matt chrome	260 g		
	610 014 760 01	SR 68-LED Set 7,5W 30° xw stainless steel look	260 g		
	610 014 755 01	SR 68-LED Set 7,5W 30° ww white	260 g		
	610 014 752 01	SR 68-LED Set 7,5W 30° ww matt chrome	260 g		
	610 014 758 01	SR 68-LED Set 7,5W 30° ww stainless steel look	260 g		
	610 014 756 01	SR 68-LED Set 7,5W 30° nw white	260 g		
	610 014 753 01	SR 68-LED Set 7,5W 30° nw matt chrome	260 g		
	610 014 759 01	SR 68-LED Set 7,5W 30° nw stainless steel look	260 g		
	205 010 214 01	Adapter ring SR 68 round white	<ul style="list-style-type: none"> <li>• for mounting in drill holes up to 84mm</li> </ul>		12 g
	205 010 214 06	Adapter ring SR 68 round matt chrome		12 g	
	205 010 214 08	Adapter ring SR 68 round stainless steel look		12 g	
	205 010 214 11	Adapter ring SR 68 square white	<ul style="list-style-type: none"> <li>• for mounting in drill holes up to 84mm</li> </ul>	29 g	
	205 010 214 16	Adapter ring SR 68 square matt chrome		29 g	
	205 010 214 18	Adapter ring SR 68 square stainless steel		29 g	
	206 040 027 01	Transformer LED 350/5W with one socket	<ul style="list-style-type: none"> <li>• mains cable 0,3m with ferrules (for easy ceiling suspension on 230V)</li> </ul>	50 g	





**NEW**

# ECO SR 68

Recessed swivel and tilt LED luminaire



**Connection:** LED transformer DC 280 mA  
**Life:** L70/B10 ≥ 50.000 hours  
**Energy efficiency:** LED: 135 lm/W luminaire **750 lm** (116 lm/W incl. transformer)  
**Colour rendering:** Ra/CRI > 80

Eco SR 68 6,5W				
		xw	ww	nw
0,5m	24° Ø 215	5152 lx	4904 lx	5576 lx
1,0m	Ø 430	1288 lx	1226 lx	1394 lx
1,5m	Ø 645	572 lx	545 lx	620 lx
2,0m	Ø 860	322 lx	307 lx	349 lx
2,5m	Ø 1075	206 lx	196 lx	223 lx

**Special features:**

- swivels and tilts 20° to both sides
- metal casing
- incl. small transformer for the flat inserted ceiling

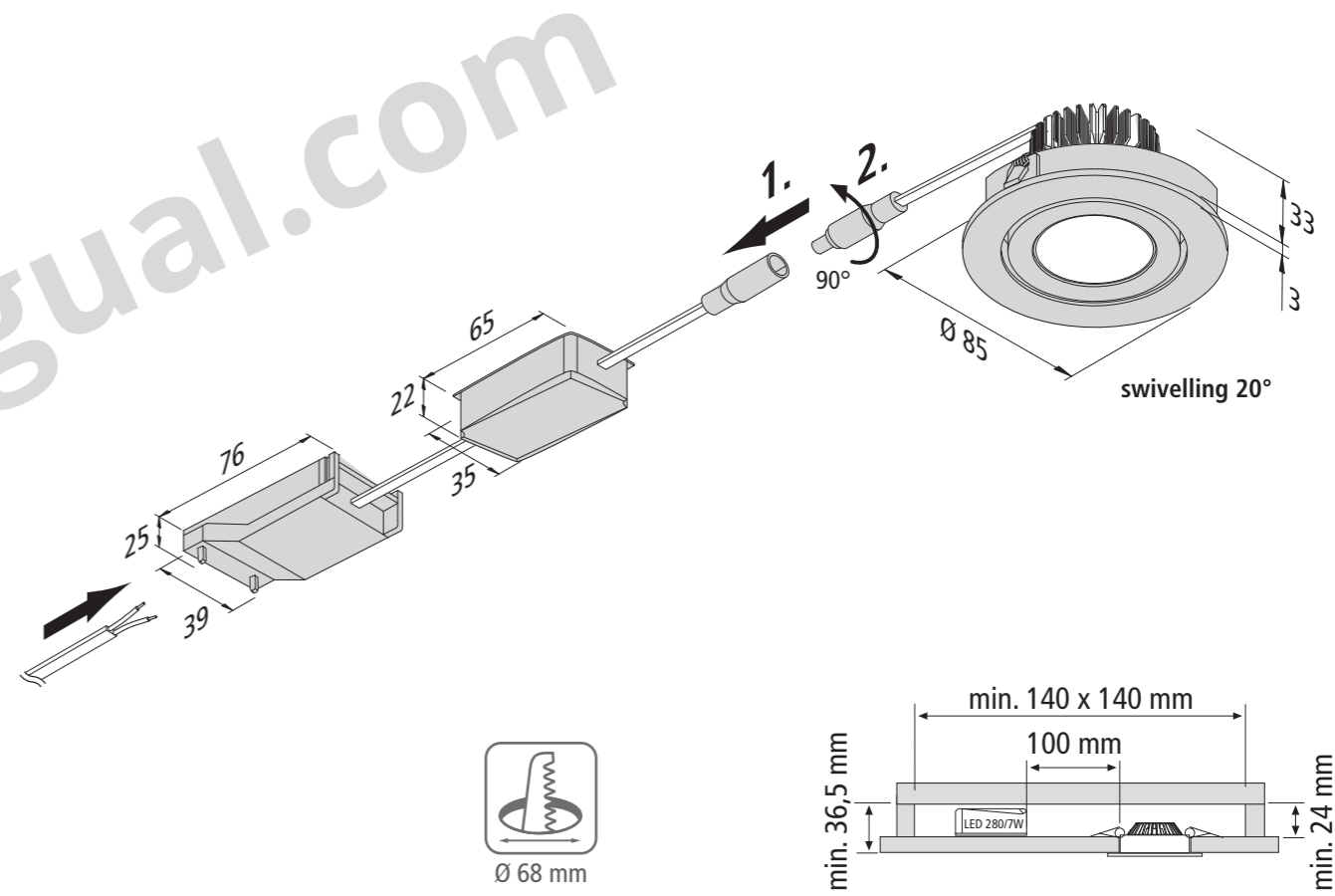


Illustration	Article No.	Description	Features	Weight approx.
	202 033 510 04	Eco SR 68-LED 5W xw white	<ul style="list-style-type: none"> <li>• colour appearance xw (extra warm white) approx. 2700K or ww (warm white) approx. 3000K or nw (neutral white) approx. 4000K</li> <li>• incl. dimmable LED transformer with terminal clamp for 230V with integrated through-wiring</li> <li>• recommended phase dimmer: Busch 2247U or 6513U-102, Jung 266GDE or 225TDE, GIRA 117600/103</li> </ul>	190 g
	202 033 560 04	Eco SR 68-LED 5W xw matt chrome		190 g
	202 033 510 02	Eco SR 68-LED 5W ww white		190 g
	202 033 560 02	Eco SR 68-LED 5W ww matt chrome		190 g
	202 033 510 03	Eco SR 68-LED 5W nw white		190 g
	202 033 560 03	Eco SR 68-LED 5W nw matt chrome		190 g



# AR 78 / AQ 78

Flat and powerful recessed LED luminaire



**Connection:** LED transformer DC 24 V  
**Life:** L70/B10 ≥ 60.000 hours  
**Energy efficiency:** LED: 90 lm/W; luminaire: **450 lm** (60 lm/W)  
**Colour rendering:** Ra/CRI > 97

AR 78-LED / AQ 78-LED		ww	nw
0,5m	Ø 500	888 lx	960 lx
1,0m	Ø 1000	222 lx	240 lx
1,5m	Ø 1500	99 lx	107 lx
2,0m	Ø 2000	56 lx	60 lx
2,5m	Ø 2500	36 lx	38 lx

### Special features:

- flush mounting in 16 mm panels
- metal casing
- genuine glass cover
- with mounting spring also ideal for the use in plasterboard ceilings
- glare-free with recessed reflector and clear diffuser

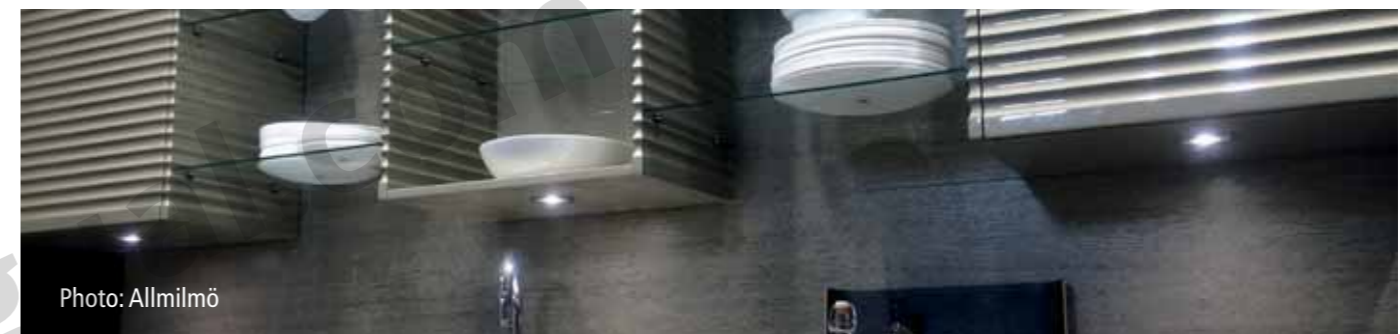


Photo: Allmilmö

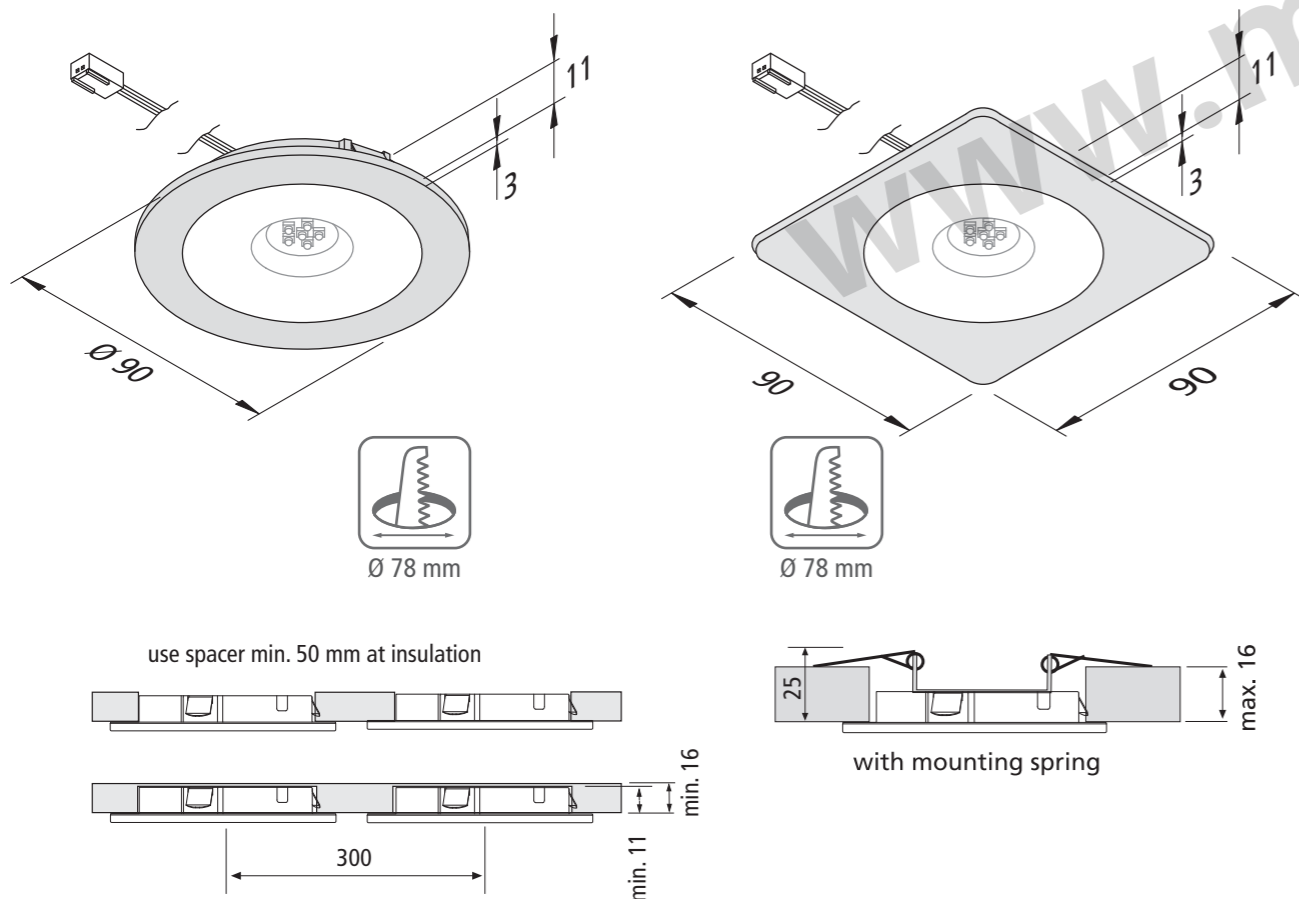


Illustration	Article No.	Description	Features	Weight approx.
	610 014 302 01	AR 78-LED 7,5W ww white	<ul style="list-style-type: none"> <li>• colour appearance ww (warm white) approx. 3000K</li> <li>• supply cable 2,5m with LED 24 plug</li> </ul>	115 g
	610 014 302 03	AR 78-LED 7,5W ww black		115 g
	610 014 302 08	AR 78-LED 7,5W ww stainless steel look		115 g
	610 014 303 01	AR 78-LED 7,5W nw white		115 g
	610 014 303 03	AR 78-LED 7,5W nw black		115 g
	610 014 303 08	AR 78-LED 7,5W nw stainless steel look		115 g
	610 015 102 01	AQ 78-LED 7,5W ww white	<ul style="list-style-type: none"> <li>• colour appearance ww (warm white) approx. 3000K</li> <li>• supply cable 2,5m with LED 24 plug</li> </ul>	115 g
	610 015 102 03	AQ 78-LED 7,5W ww black		115 g
	610 015 102 08	AQ 78-LED 7,5W ww stainless steel		115 g
	610 015 103 01	AQ 78-LED 7,5W nw white		115 g
	610 015 103 03	AQ 78-LED 7,5W nw black		115 g
	610 015 103 08	AQ 78-LED 7,5W nw stainless steel look		115 g
	615 000 301 01	Mounting spring ARF 68/78/Q	• for mounting in lightweight design ceilings or aluminium profiles	24 g
	215 300 610 01	LED 24 connecting cable 1,0m	<ul style="list-style-type: none"> <li>• up to max. 60W usable</li> <li>• further information + lengths on page 232</li> </ul>	9 g
	215 300 625 01	LED 24 connecting cable 2,5m		22 g
	206 040 011 01	Transformer LED 24/ 15W DC 24V	<ul style="list-style-type: none"> <li>• mains cable 2m with Euro plug</li> <li>• 12-way distributor</li> </ul>	167 g
	206 040 012 01	Transformer LED 24/ 30W DC 24V		330 g
	206 040 019 01	Transformer LED 24/ 75W DC 24V		460 g
	615 000 505 26	24V Dim-Controller radio 80W incl. 4 channel remote control black	<ul style="list-style-type: none"> <li>• to dim and switch</li> <li>• with 12-way distributor</li> <li>• further dim-controller (among other BLE + DALI) page 238</li> </ul>	130 g
	615 000 505 23	24V Dim-Controller radio 80W incl. surface mounted remote control stainless steel look		105 g
	615 000 505 24	24V Dim-Controller radio 80W incl. recessed remote control stainless steel look		80 g

<sup>1)</sup> blind hole mounting  
<sup>2)</sup> version on request



# FR 65/205 / FQ 65/205

Dimmable recessed / surface mounted luminaire for drill hole 65 - 205 mm



**Connection:** 220 - 240V / 50 - 60Hz  
**Life:** L70/B10 ≥ 36.000 hours  
**Energy efficiency:** LED: 100 lm/W; luminaire: **1170 lm** (65 lm/W)  
**Colour rendering:** Ra/CRI > 80

FR- / FQ 65/205-LED				
		xw	ww	nw
0,5m	115° Ø 650	1580 lx	1660 lx	1744 lx
1,0m	Ø 1300	395 lx	415 lx	436 lx
1,5m	Ø 1950	176 lx	184 lx	194 lx
2,0m	Ø 2600	99 lx	104 lx	109 lx
2,5m	Ø 3250	63 lx	66 lx	70 lx

### Special features:

- Direct connection to 230V with integrated through-wiring
- no visible luminous spots
- adjustable mounting spring for all drill holes from 65 to 205mm
- recommended phase dimmer: Busch-Jaeger 6523U-102, Jung 1730DD or Sygonix 33594R

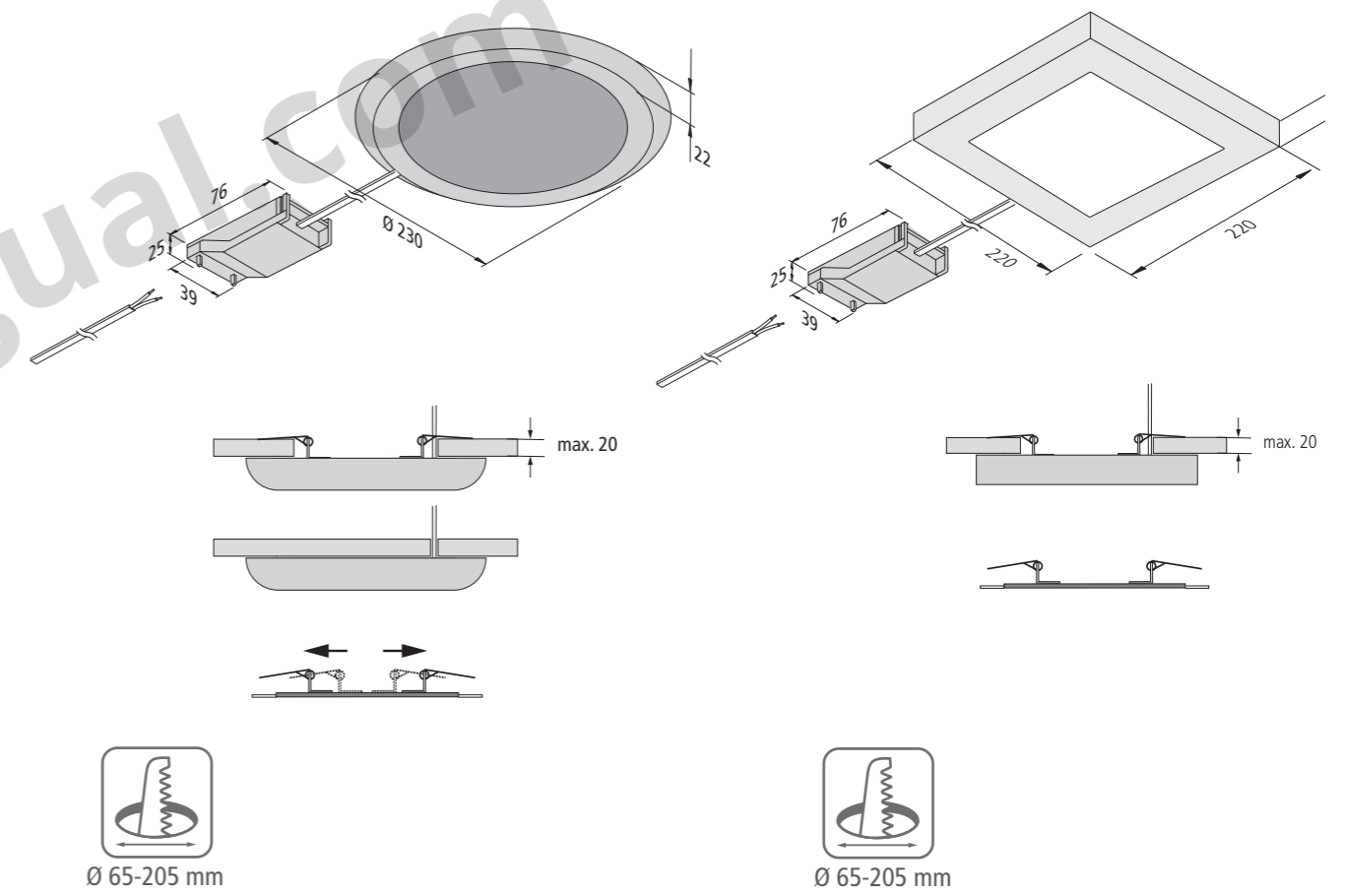


Illustration	Article No.	Description	Features	Weight approx.
	202 030 701 03	FR 65/205-LED 18W xw white	<ul style="list-style-type: none"> <li>• colour appearance xw (extra warm white) approx. 2700K or ww (warm white) approx. 3000K or nw (neutral white) approx. 4000K</li> <li>• incl. terminal for 230V with integrated through-wiring</li> <li>• recommended phase dimmer: Busch-Jaeger 6523U-102, Jung 1730DD or Sygonix 33594R</li> </ul>	362 g
	202 030 706 03	FR 65/205-LED 18W xw matt chrome		362 g
	202 030 701 02	FR 65/205-LED 18W ww white		362 g
	202 030 706 02	FR 65/205-LED 18W ww matt chrome		362 g
	202 030 701 01	FR 65/205-LED 18W nw white		362 g
	202 030 706 01	FR 65/205-LED 18W nw matt chrome		362 g
	202 030 801 03	FQ 65/205-LED 18W xw white	<ul style="list-style-type: none"> <li>• colour appearance xw (extra warm white) approx. 2700K or ww (warm white) approx. 3000K or nw (neutral white) approx. 4000K</li> <li>• incl. terminal for 230V with integrated through-wiring</li> <li>• recommended phase dimmer: Busch-Jaeger 6523U-102, Jung 1730DD or Sygonix 33594R</li> </ul>	462 g
	202 030 801 02	FQ 65/205-LED 18W ww white		462 g
	202 030 801 01	FQ 65/205-LED 18W nw white		462 g



# BEDSIDE READING LUMINAIRE

LED recessed / surface mounted luminaire for 230 V



**Connection:** 220 - 240V / 50 - 60Hz  
**Life:** L70/B10 ≥ 60.000 hours  
**Energy efficiency:** LED: 120 lm/W; luminaire: **180 lm** (60 lm/W)  
**Colour rendering:** Ra/CRI > 90

Bettlesleuchte		
		ww
0,5m	Ø 150	4200 lx
1,0m	Ø 300	1050 lx
1,5m	Ø 450	467 lx
2,0m	Ø 600	263 lx
2,5m	Ø 750	168 lx

### Special features:

- usable as recessed and surface mounted version
- 350° swiveling and 90° tilt
- direct connection to 230V

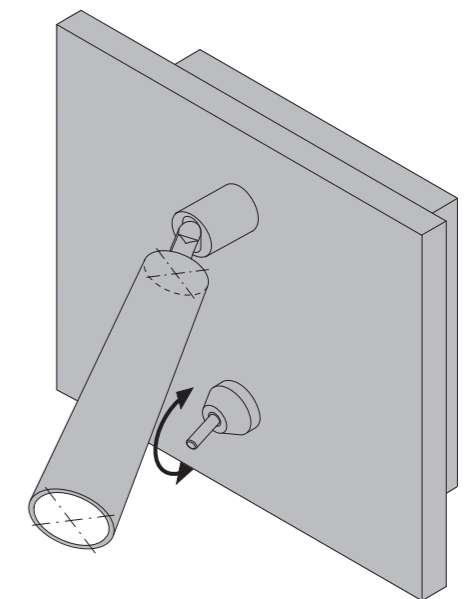
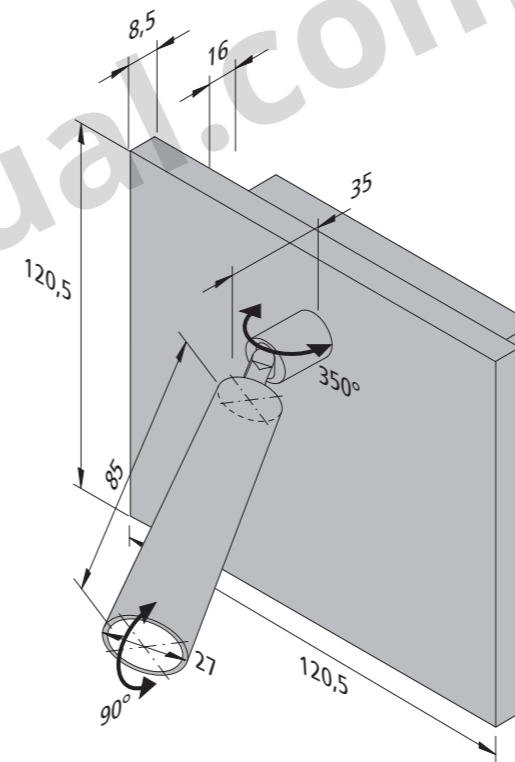


Illustration	Article No.	Description	Features	Weight approx.
	202 031 003 02	BL1-LED recessed/surface mounted 3W black	<ul style="list-style-type: none"> <li>• <b>without</b> switch</li> <li>• colour appearance ww (warm white) approx. 3000K</li> </ul>	570 g
	202 031 008 02	BL1-LED recessed/surface mounted 3W stainless steel look		570 g
	202 031 013 02	BL1-LED recessed/surface mounted 3W black	<ul style="list-style-type: none"> <li>• <b>with</b> switch</li> <li>• colour appearance ww (warm white) approx. 3000K</li> </ul>	570 g
	202 031 018 02	BL1-LED recessed/surface mounted 3W stainless steel look		570 g

# SKY WINDOW

Recessed or surface mounted luminaire with daylight control and sunlight spectrum



**Connection:** 220 - 240V / 50 - 60Hz  
**Life:** L70/B10 ≥ 50.000 hours  
**Colour rendering:** Ra/CRI > 95

Sky Window 112W			Sky Window 250W		
		maximal			maximal
1,0m	Ø 340	4880 lx	1,0m	Ø 340	6500 lx
2,0m	Ø 680	1220 lx	2,0m	Ø 680	1625 lx
3,0m	Ø 1020	542 lx	3,0m	Ø 1020	722 lx
4,0m	Ø 1360	305 lx	4,0m	Ø 1360	406 lx
5,0m	Ø 1700	195 lx	5,0m	Ø 1700	260 lx

### Special features:

- Daylight has a huge impact on the well-being. Sky Window brings sunshine wherever it is needed.
- Create natural daylight indoor, thanks to full spectrum LEDs (Sunlike-LED) and a smart daylight control.
- The daylight ambience is realized by the simulated and illuminated 3D sky and the switchable solar radiation. Amazing real daylight effects can be achieved.
- Due to the used Sunlike-LED, the colour rendering is Ra > 95, the same applies to the R9 value.
- The colour appearance can be adjusted continuously from 2.500K to 10.000K via app.
- The smart light control enables the 24 hour rhythm and if necessary even analogously to the different time zones worldwide.
- Up to 64 Sky Window luminaires can be controlled and switched in parallel.
- Suitable for screen workplaces! (UGR < 19)

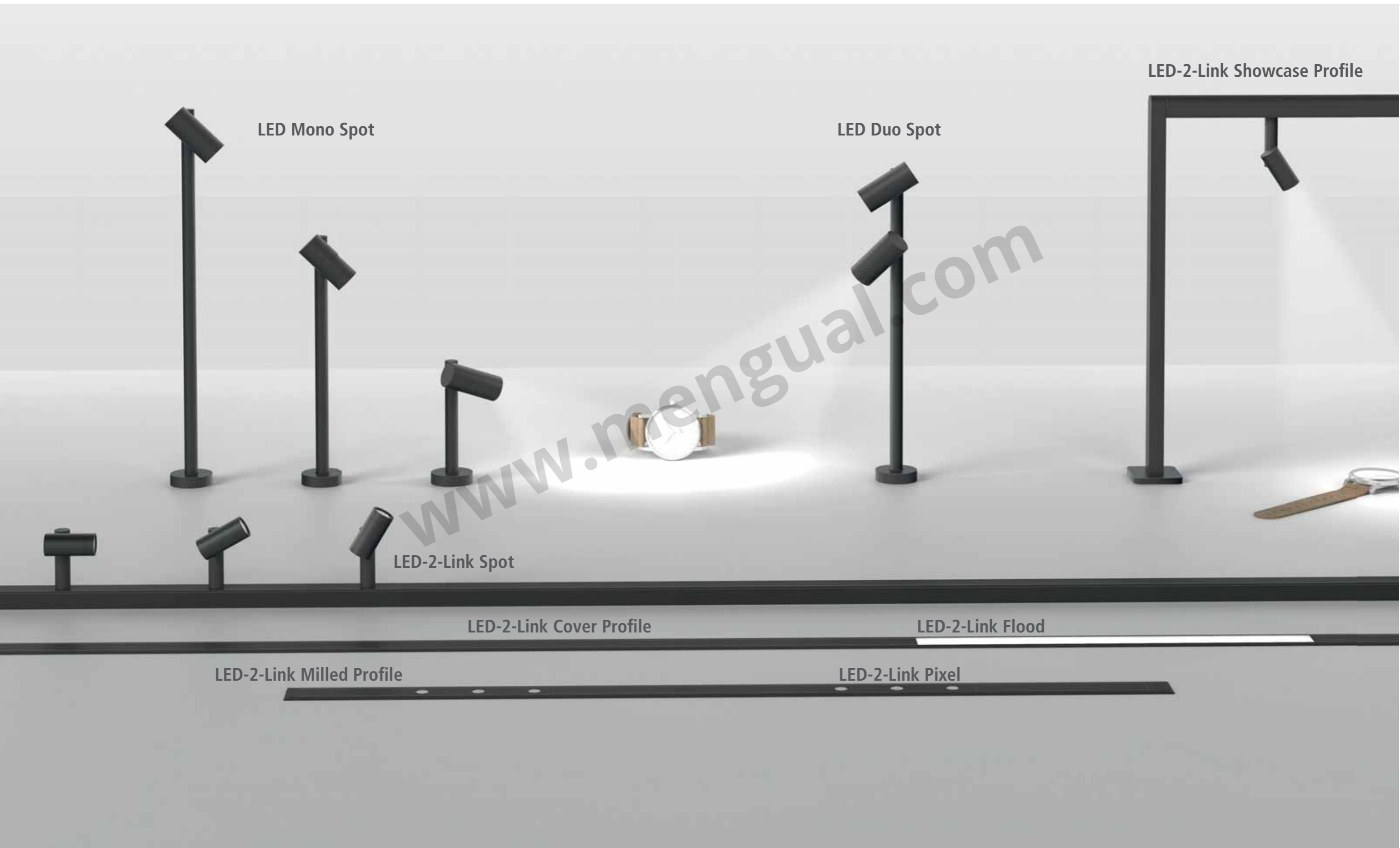


Illustration	Article No.	Description	Features	Weight approx.
	202 030 610 02	Sky Window 600 x 600mm 112W incl. milled frame	<ul style="list-style-type: none"> <li>• incl. transformer</li> <li>• white</li> </ul>	12000 g
	202 030 610 01	Sky Window 1200 x 600mm 250W	<ul style="list-style-type: none"> <li>• incl. transformer</li> <li>• white</li> </ul>	15500 g
	202 010 166 02	Milled frame Sky Window 1200 x 600mm	<ul style="list-style-type: none"> <li>• white</li> </ul>	4000 g
	202 010 166 12	Mounting frame Sky Window 1200 x 600mm	<ul style="list-style-type: none"> <li>• white</li> </ul>	10500 g
	208 050 050 21	Control Panel Sky Window	<ul style="list-style-type: none"> <li>• 86 x 86 x 36mm</li> <li>• incl. wall socket</li> </ul>	170 g

## SHOWCASE & OVER CABINET LUMINAIRES

Our showcase and over cabinet luminaires skilfully set your exhibits centre-stage and give them a special shine and attention.





LED Mono Spot

LED Duo Spot

LED-2-Link Showcase Profile

LED-2-Link Spot

LED-2-Link Cover Profile

LED-2-Link Flood

LED-2-Link Milled Profile

LED-2-Link Pixel



Photo: Juwelier Dural

# SPOT

## Rotate and swivel LED spotlight

Introduction

Power supply track system

Linear luminaires

Recessed and surface mounted luminaires

Showcase and over cabinet luminaires

Under cabinet luminaires

Accessories

Appendix



**Connection:** LED transformer DC 24 V  
**Life:** L90/B10 ≥ 60.000 hours  
**Energy efficiency:** LED 110 lm/W; luminaire: 80 / 150 lm (53 / 50 lm/W)  
**Colour rendering:** Ra/CRI > 90

### Special features:

- height infinitely variable up to 300 mm
- 360° rotating and swiveling by 300°

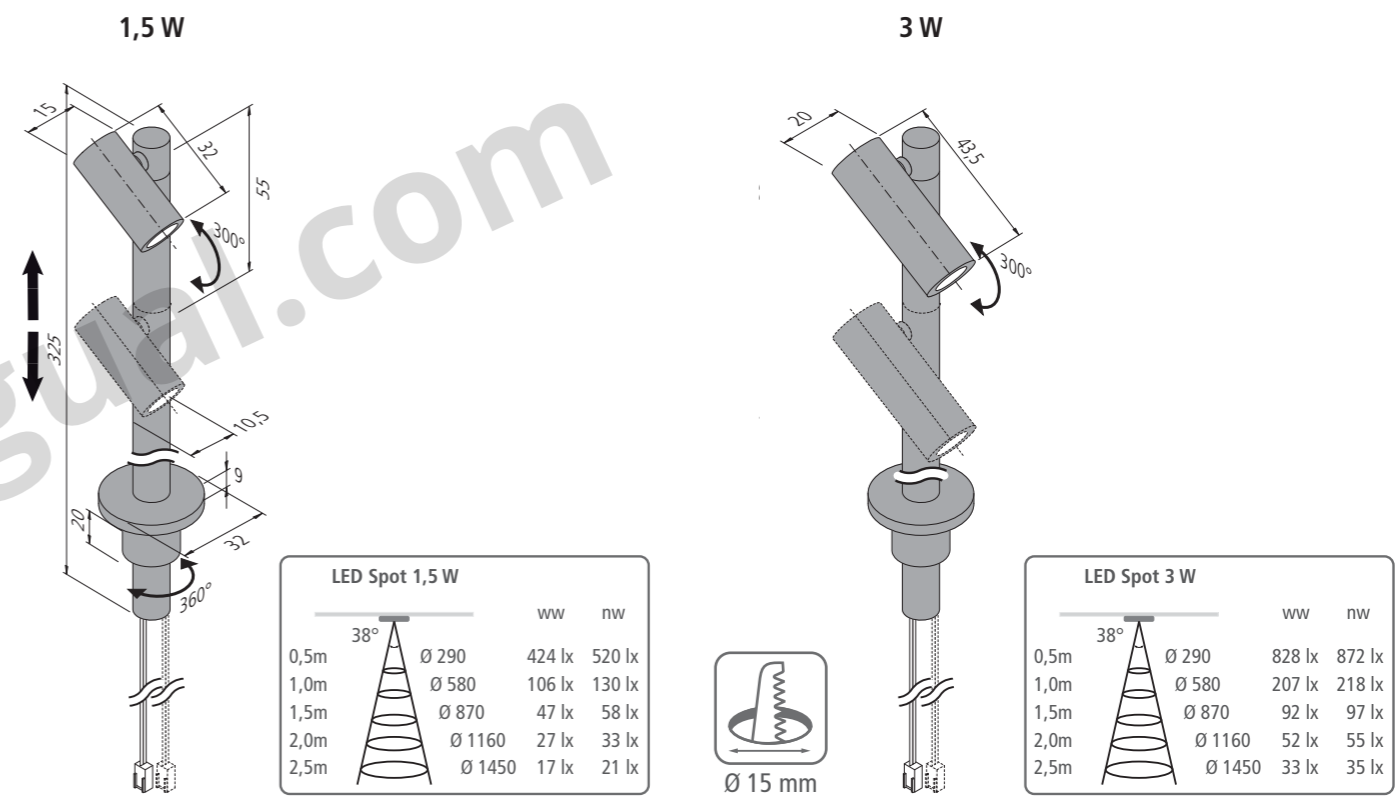


Illustration	Article No.	Description	Features	Weight approx.
	202 027 803 02	LED Mono Spot 1,5W ww black	<ul style="list-style-type: none"> <li>• colour appearance ww (warm white) approx. 3000K or nw (neutral white) approx. 4000K</li> <li>• supply cable 2,2m with LED 24 plug</li> <li>• beam angle 38°</li> </ul>	150 g
	202 027 801 02	LED Mono Spot 1,5W ww anodized aluminium		150 g
	202 027 803 03	LED Mono Spot 1,5W nw black		150 g
	202 027 801 03	LED Mono Spot 1,5W nw anodized aluminium		150 g
	202 027 823 02	LED Duo Spot 2x1,5W ww black		180 g
	202 027 821 02	LED Duo Spot 2x1,5W ww anodized aluminium		180 g
	202 027 823 03	LED Duo Spot 2x1,5W nw black		180 g
	202 027 821 03	LED Duo Spot 2x1,5W nw anodized aluminium		180 g
	202 027 903 02	LED Mono Spot 3W ww black	<ul style="list-style-type: none"> <li>• colour appearance ww (warm white) approx. 3000K or nw (neutral white) approx. 4000K</li> <li>• supply cable 2,2m with LED 24 plug</li> <li>• beam angle 38°</li> </ul>	170 g
	202 027 901 02	LED Mono Spot 3W ww anodized aluminium		170 g
	202 027 903 03	LED Mono Spot 3W nw black		170 g
	202 027 901 03	LED Mono Spot 3W nw anodized aluminium		170 g
	202 027 923 02	LED Duo Spot 2x3W ww black		225 g
	202 027 921 02	LED Duo Spot 2x3W ww anodized aluminium		225 g
	202 027 923 03	LED Duo Spot 2x3W nw black		225 g
	202 027 921 03	LED Duo Spot 2x3W nw anodized aluminium		225 g
Accessories	LED transformers 24V from page 230 / DALI and BLE controller page 238			

<sup>1)</sup> version on request



Photo: Juwelier Dural

# LED-2-LINK SPOT

Rotate and swivel system spotlight



**Connection:** LED transformer DC 24 V  
**Life:** L90/B10 ≥ 60.000 hours  
**Energy efficiency:** LED 110 lm/W; luminaire: 80 lm (53 lm/W)  
**Colour rendering:** Ra/CRI > 90

LED-2-Link Spot		ww	nw
0,5m	∅ 290	424 lx	520 lx
1,0m	∅ 580	106 lx	130 lx
1,5m	∅ 870	47 lx	58 lx
2,0m	∅ 1160	27 lx	33 lx
2,5m	∅ 1450	17 lx	21 lx

### Special features:

- 300° rotatable and swivelable by 300°
- max. 48 W per supply cable

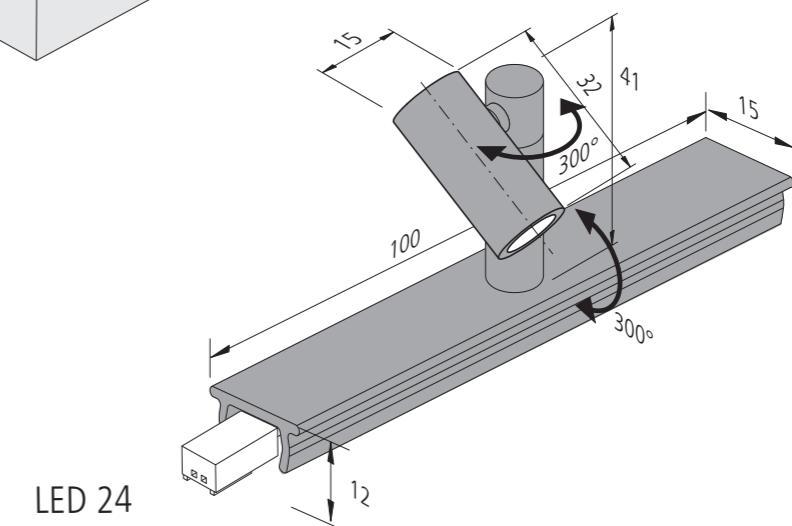
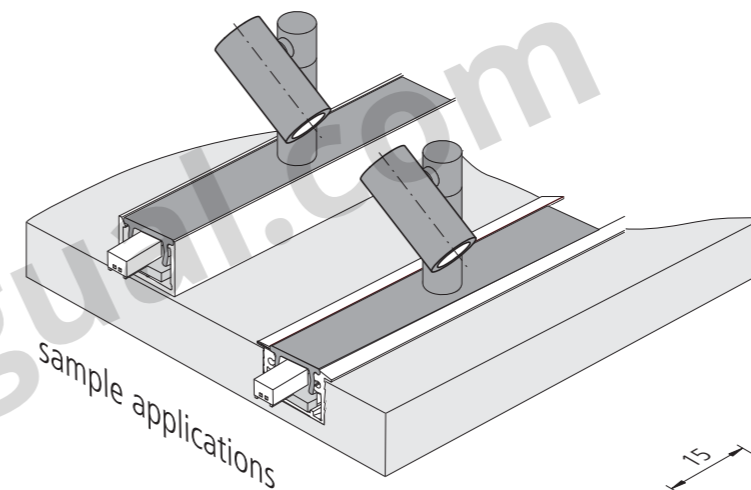


Illustration	Article No.	Description	Features	Weight approx.
	610 021 303 02	LED 2 Link Spot 1x 1,5W ww black	<ul style="list-style-type: none"> <li>• colour appearance ww (warm white) approx. 3000K or nw (neutral white) approx. 4000K</li> <li>• through circuit with LED 24 plug and LED 24 socket</li> <li>• beam angle 38°</li> <li>• one module 100mm</li> </ul>	38 g
	610 021 301 02	LED 2 Link Spot 1x 1,5W ww anodized aluminium		38 g
	610 021 303 03	LED 2 Link Spot 1x 1,5W nw black		38 g
	610 021 301 03	LED 2 Link Spot 1x 1,5W nw anodized aluminium		38 g
	610 021 333 02	LED 2 Link Spot 3x 1,5W ww black	<ul style="list-style-type: none"> <li>• colour appearance ww (warm white) approx. 3000K or nw (neutral white) approx. 4000K</li> <li>• through circuit with LED 24 plug and LED 24 socket</li> <li>• beam angle 38°</li> <li>• three modules 300mm</li> </ul>	114 g
	610 021 331 02	LED 2 Link Spot 3x 1,5W ww anodized aluminium		114 g
	610 021 333 03	LED 2 Link Spot 3x 1,5W nw black		114 g
	610 021 331 03	LED 2 Link Spot 3x 1,5W nw anodized aluminium		114 g
	Accessories	Profiles + connecting cable from page 187 / LED transformers 24V from page 230		



# LED-2-LINK PIXEL

Small system spotlights



**Connection:** LED transformer DC 24 V  
**Life:** L90/B10 ≥ 60.000 hours  
**Energy efficiency:** LED 102 lm/W; luminaire: 205 lm (57 lm/W)  
**Colour rendering:** Ra/CRI > 95

LED-2-Link Pixel		ww	nw
0,5m	35° Ø 280	1620 lx	1780 lx
1,0m	Ø 560	405 lx	445 lx
1,5m	Ø 840	180 lx	198 lx
2,0m	Ø 1120	101 lx	111 lx
2,5m	Ø 1400	65 lx	71 lx

### Special features:

- max. 48W per supply cable

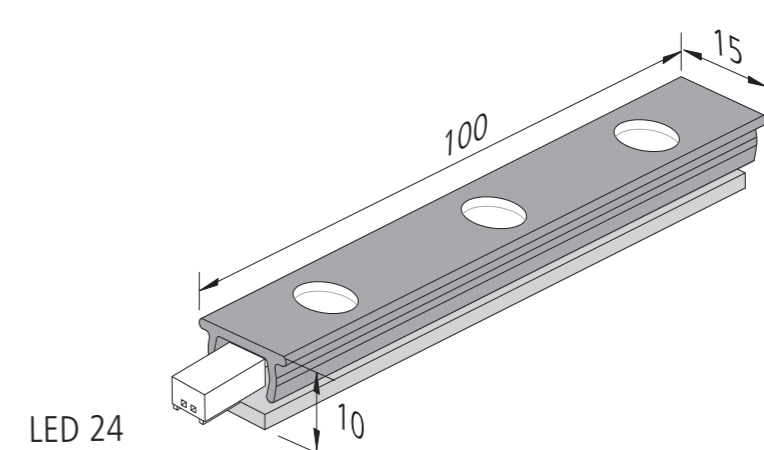
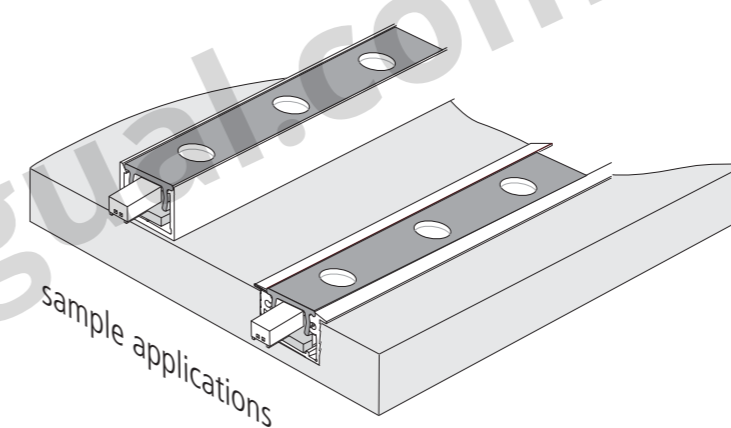


Illustration	Article No.	Description	Features	Weight approx.
	610 021 203 02	LED 2 Link Pixel 3x 1,2W ww black	<ul style="list-style-type: none"> <li>• colour appearance ww (warm white) approx. 3000K or nw (neutral white) approx. 4000K</li> <li>• through circuit with LED 24 plug and LED 24 socket</li> <li>• beam angle 35°</li> <li>• three modules 100mm</li> </ul>	13 g
	610 021 201 02	LED 2 Link Pixel 3x 1,2W ww anodized aluminium		13 g
	610 021 203 03	LED 2 Link Pixel 3x 1,2W nw black		13 g
	610 021 201 03	LED 2 Link Pixel 3x 1,2W nw anodized aluminium		13 g
Accessories	Profiles + connecting cable from page 187 / LED transformers 24V from page 230			



Photo: Juwelier Dural



# LED-2-LINK FLOOD

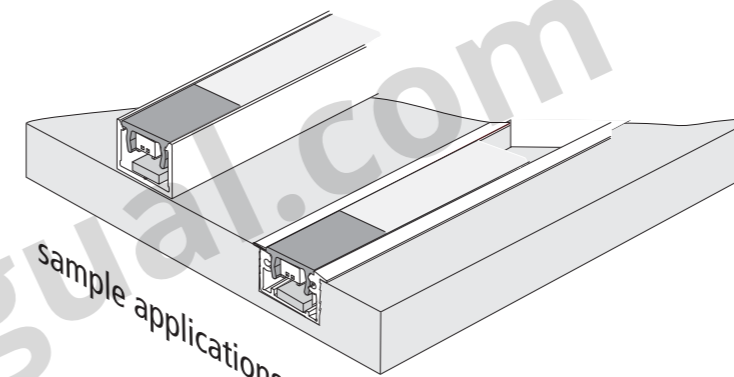
System linear luminaire with homogeneous planar light



**Connection:** LED transformer DC 24 V  
**Life:** L90/B10 ≥ 60.000 hours  
**Energy efficiency:** LED 107 lm/W; luminaire: 935 lm/m (58 lm/W)  
**Colour rendering:** Ra/CRI > 98

### Special features:

- no visible luminous spots
- max. 60W per supply cable



sample applications

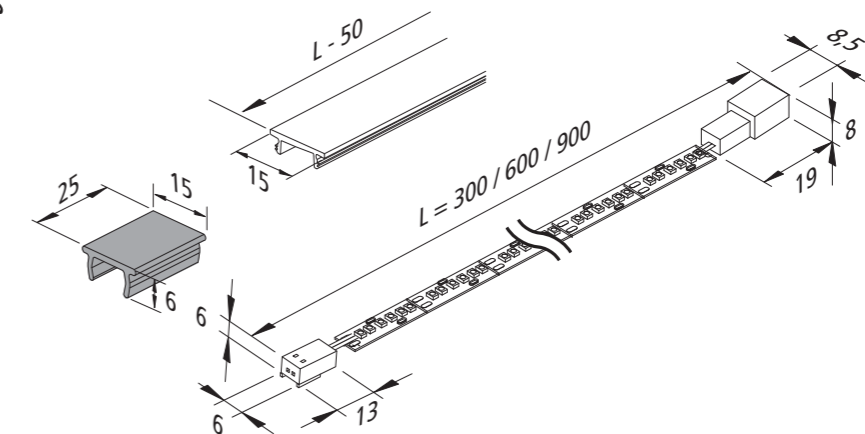


Illustration	Article No.	Description	Features	Weight approx.
	610 021 603 02	LED-2 Link Flood 4,8W ww 300mm black	<ul style="list-style-type: none"> <li>• colour appearance ww (warm white) approx. 3000K or nw (neutral white) approx. 4000K</li> <li>• through circuit with LED 24 plug and LED 24 socket</li> <li>• incl. cover profile highly matt</li> <li>• incl. 2x 25mm aluminium cover profile</li> <li>• beam angle 120°</li> </ul>	26 g
	610 021 601 02	LED-2-Link Flood 4,8W ww 300mm anodized aluminium		26 g
	610 021 603 03	LED-2-Link Flood 4,8W nw 300mm black		26 g
	610 021 601 03	LED-2-Link Flood 4,8W nw 300mm anodized aluminium		26 g
	610 021 613 02	LED-2-Link Flood 10,4W ww 600mm black		47 g
	610 021 611 02	LED-2-Link Flood 10,4W ww 600mm anodized aluminium		47 g
	610 021 613 03	LED-2-Link Flood 10,4W nw 600mm black		47 g
	610 021 611 03	LED-2-Link Flood 10,4W nw 600mm anodized aluminium		47 g
	610 021 623 02	LED-2-Link Flood 16,1W ww 900mm black		70 g
	610 021 621 02	LED-2-Link Flood 16,1W ww 900mm anodized aluminium		70 g
	610 021 623 03	LED-2-Link Flood 16,1W nw 900mm black		70 g
	610 021 621 03	LED-2-Link Flood 16,1W nw 900mm anodized aluminium		70 g
Accessories	Profiles + connecting cable from page 187 / LED transformers 24V from page 230			

# LED-2-LINK ACCESSORIES

## LED-2-Link Showcase Profile

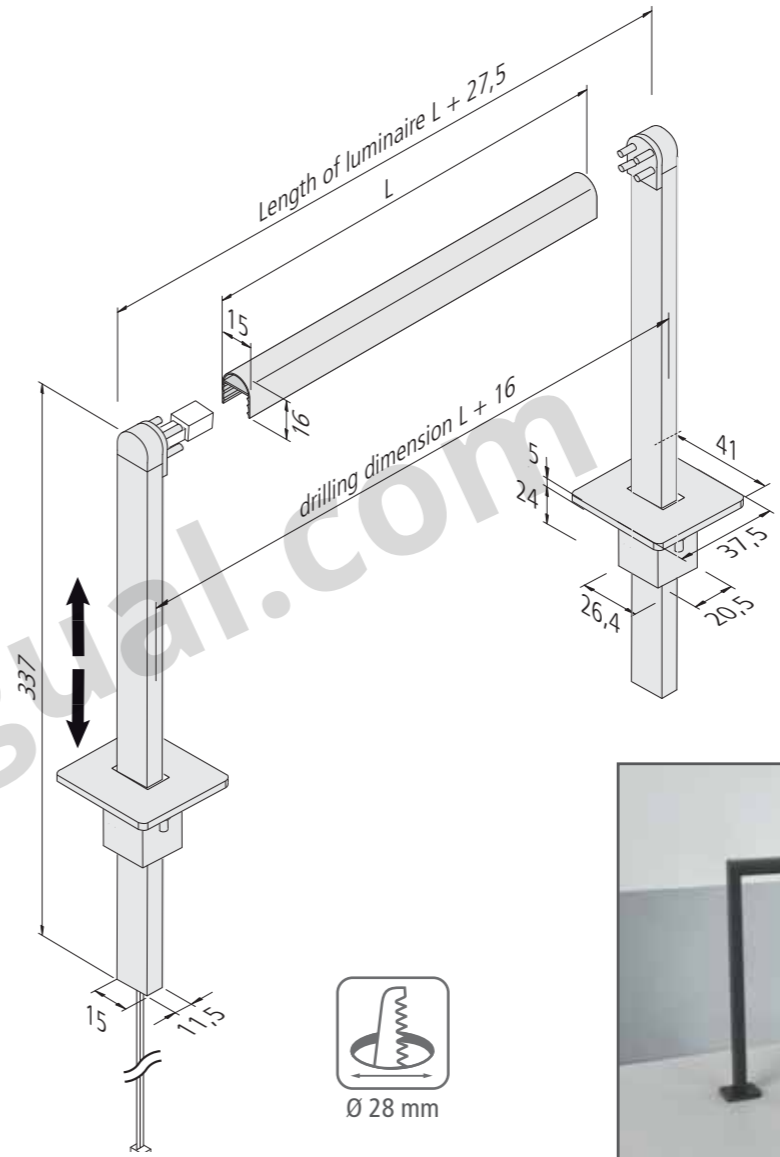


Illustration	Article No.	Description	Features	Weight approx.
	615 000 327 03	LED-2-Link Showcase Profile 1m	• black • cover profile for the area between the luminaires see page 189	166 g
	615 000 327 63	LED-2-Link Showcase Profile 2,95m set of 5		2450 g
	615 000 327 01	LED-2-Link Showcase Profile 1m	• anodized aluminium • cover profile for the area between the luminaires see page 189	166 g
	615 000 327 61	LED-2-Link Showcase Profile 2,95m set of 5		2450 g
	615 000 329 13	LED-2-Link holding arm 300mm with supply cable 2,5m max. 48W	• black • height infinitely variable up to 300mm	70 g
	615 000 329 03	LED-2-Link holding arm 300mm without supply cable		47 g
	615 000 329 11	LED-2-Link holding arm 300mm with supply cable 2,5m max. 48W	• anodized aluminium • height infinitely variable up to 300mm	70 g
	615 000 329 01	LED-2-Link holding arm 300mm without supply cable		47 g
Accessories	LED transformers 24V from page 230 / DALI and BLE controller page 238			

# LED-2-LINK ACCESSORIES

## LED-2-Link Mounting and Corner Profile

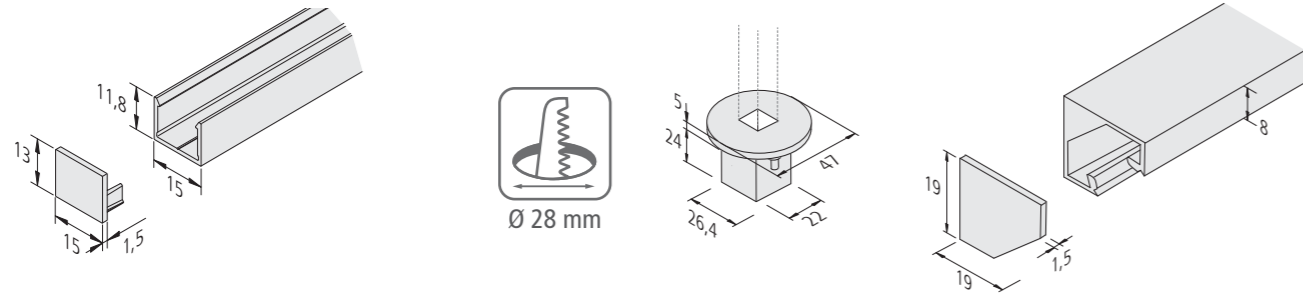


Illustration	Article No.	Mounting Profile	Features	Weight approx.
	615 000 316 13	LED Mounting Profile 15/13mm 1m	• black • for cover profile 15mm	190 g
	615 000 316 63	LED Mounting Profile 15/13mm 2,95m set of 5		2850 g
	615 000 310 23	Front cover LED Mounting Profile 15/13mm	• set of 2 with fastening screws	1 g
	615 000 300 03	Mounting Sleeve LED Mounting Profile black	• 24mm mounting depth for 28mm drill-hole • with fastening screws	13 g
	615 000 316 10	LED Mounting Profile 15/13mm 1m	• anodized aluminium • for cover profile 15mm	190 g
	615 000 316 61	LED Mounting Profile 15/13mm 2,95m set of 5		2850 g
	615 000 310 21	Front cover LED Mounting Profile 15/13mm	• set of 2 with fastening screws	3 g
	615 000 300 07	Mounting Sleeve LED Mounting Profile anodized aluminium	• 24mm mounting depth for 28mm drill-hole • with fastening screws	13 g
<b>Corner Profile</b>				
	615 000 320 03	LED Corner Profile 19mm 1m	• black • for cover profile 15mm	240 g
	615 000 320 63	LED Corner Profile 19mm 2,95m set of 5		3600 g
	615 000 310 33	Front cover LED Corner Profile 19mm	• set of 2 with fastening screws	3 g
	615 000 320 01	LED Corner Profile 19mm 1m	• anodized aluminium • for cover profile 15mm	240 g
	615 000 320 61	LED Corner Profile 19mm 2,95m set of 5		3600 g
	615 000 310 31	Front cover LED Corner Profile 19mm	• set of 2 with fastening screws	3 g
Accessories	LED transformers 24V from page 230 / DALI and BLE controller page 238			

<sup>1)</sup> version on request

# LED-2-LINK ACCESSORIES

## LED-2-Link Milled and Cover Profiles

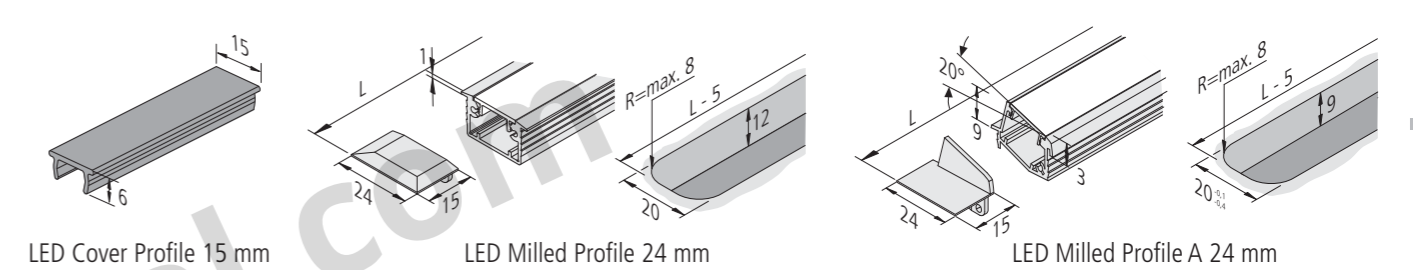
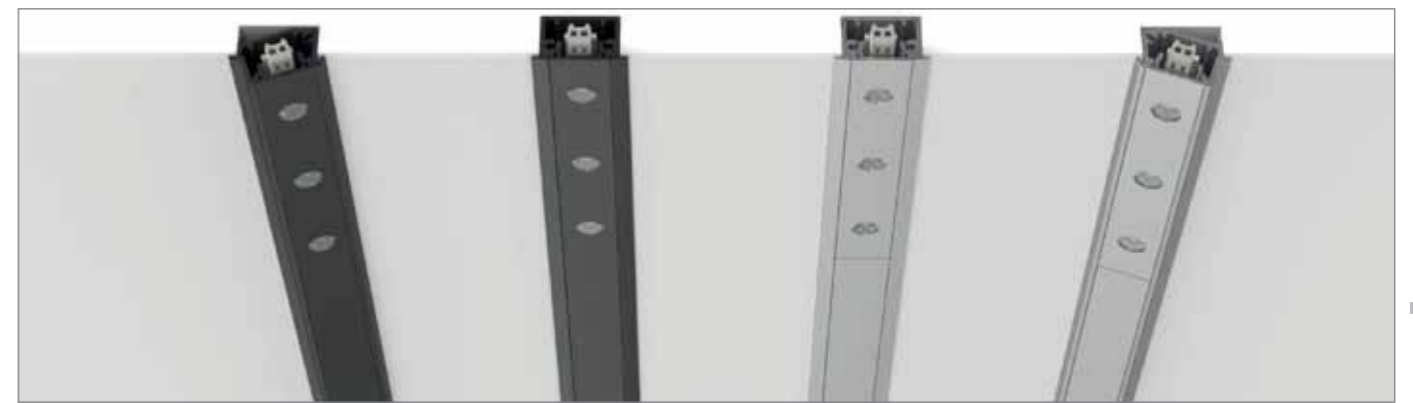


Illustration	Article No.	Milled Profile	Features	Weight approx.
	615 000 314 13	LED Milled Profile 24/12mm 1m	• black • for cover profile 15mm	190 g
	615 000 314 63	LED Milled Profile 24/12mm 2,95m set of 5		2850 g
	615 000 310 13	Front cover LED Milled Profile 24mm	• set of 2 with fastening screws	1 g
	615 000 314 10	LED Milled Profile 24/12mm 1m	• anodized aluminium • for cover profile 15mm	190 g
	615 000 314 61	LED Milled Profile 24/12mm 2,95m set of 5		2850 g
	615 000 310 11	Front cover LED Milled Profile 24mm	• set of 2 with fastening screws	1 g
	615 000 324 13	LED Milled Profile A 24mm 1m	• black • for cover profile 15mm • for reverse asymmetrical illumination	190 g
	615 000 324 63	LED Milled Profile A 24mm 2,95m set of 5		2850 g
	615 000 310 53	Front cover LED Milled Profile A 24mm	• set of 2 with fastening screws	1 g
	615 000 324 10	LED Milled Profile A 24mm 1m	• anodized aluminium • for cover profile 15mm • for reverse asymmetrical illumination	190 g
	615 000 324 61	LED Milled Profile A 24mm 2,95m set of 5		2850 g
	615 000 310 51	Front cover LED Milled Profile A 24mm	• set of 2 with fastening screws	1 g
<b>Cover Profile</b>				
	615 000 328 13	LED Cover Profile 15mm 1m	• black • material: aluminium	73 g
	615 000 328 63	LED Cover Profile 15mm 2,95m set of 5		1077 g
	615 000 328 10	LED Cover Profile 15mm 1m	• anodized aluminium • material: aluminium	73 g
	615 000 328 61	LED Cover Profile 15mm 2,95m set of 5		1077 g
	215 300 601 02	LED 24 connecting cable 0,1m	• up to max. 60W usable • further information + lengths on page 232	3 g
	215 300 605 01	LED 24 connecting cable 0,5m		5 g
	215 300 610 01	LED 24 connecting cable 1,0m		9 g
	215 300 625 01	LED 24 connecting cable 2,5m		22 g
Accessories	LED transformers 24V from page 230 / DALI and BLE controller page 238			

<sup>1)</sup> version on request



ZOOM

Focusable LED spotlight



**Connection:** LED transformer DC 350 mA  
**Life:** L90/B10 ≥ 35.000 hours  
**Energy efficiency:** LED: 112 lm/W; luminaire: 50 lm (50 lm/W)  
**Colour rendering:** Ra/CRI > 90

LED Zoom 1W		
0,5m	∅ 100-410	6300-432 lx
1,0m	∅ 200-820	1575-108 lx
1,5m	∅ 300-1230	700-48 lx
2,0m	∅ 400-1640	394-27 lx
2,5m	∅ 500-2050	252-17 lx

Special features:

- height infinitely variable up to 300 mm
- 355° rotating and swiveling by 90°
- adjustable beam angle 9 to 50°

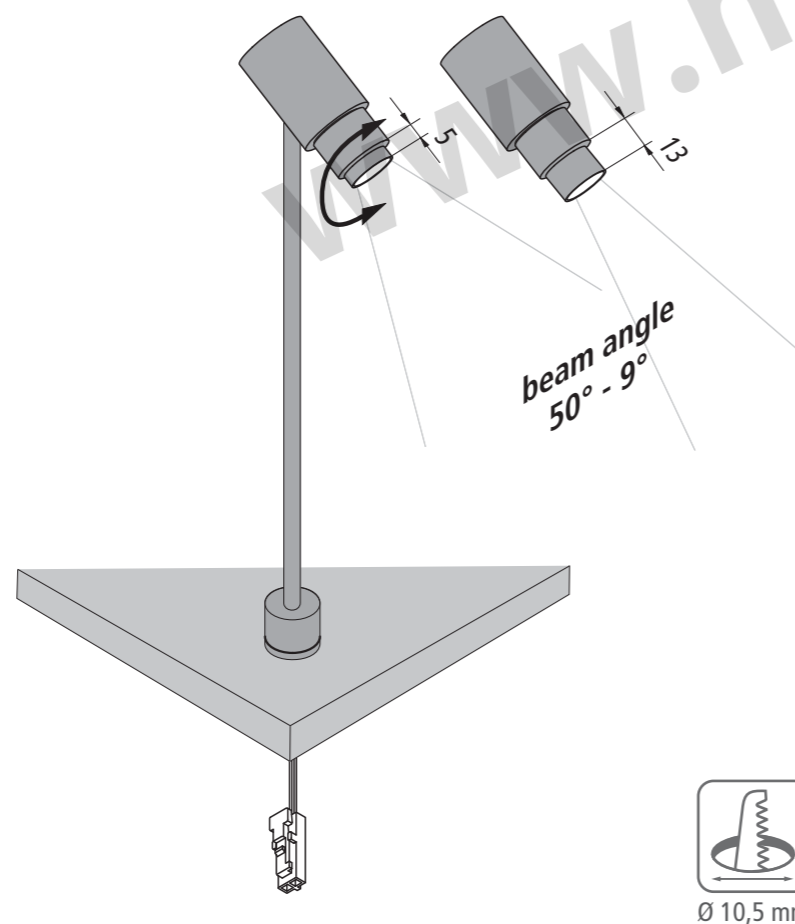
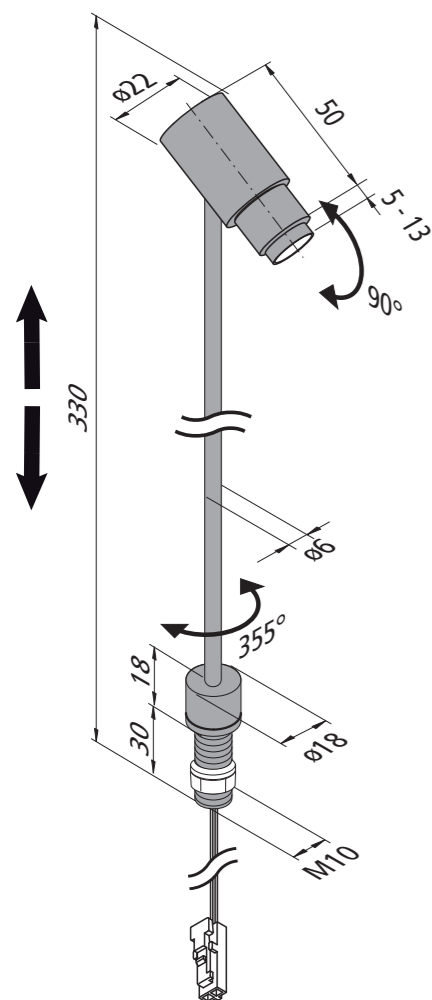


Illustration	Article No.	Description	Features	Weight approx.
	202 029 903 02	LED Zoom 1,0W ww black	<ul style="list-style-type: none"> <li>• colour appearance ww (warm white) approx. 3000K or nw (neutral white) approx. 4000K</li> <li>• supply cable 2,5m with LED 350 plug</li> <li>• beam angle 9 to 50°</li> </ul>	88 g
	202 029 903 03	LED Zoom 1,0W nw black		88 g
	202 029 901 02	LED Zoom 1,0W ww anodized aluminium	<ul style="list-style-type: none"> <li>• colour appearance ww (warm white) approx. 3000K or nw (neutral white) approx. 4000K</li> <li>• supply cable 2,5m with LED 350 plug</li> <li>• beam angle 9 to 50°</li> </ul>	88 g
	202 029 901 03	LED Zoom 1,0W nw anodized aluminium		88 g
	615 003 022 03	Transformer LED 350/5W with 5-way distributor	<ul style="list-style-type: none"> <li>• mains cable 2m with Euro plug</li> <li>• for up to 5 luminaires / 350mA = 1,0W</li> <li>• larger transformers 350mA page 240</li> </ul>	57 g

Introduction

Power supply track system

Linear luminaires

Recessed and surface mounted luminaires

Showcase and over cabinet luminaires

Under cabinet luminaires

Accessories

Appendix





# LED TRACK 24V

LED Track 24 V

Introduction

Power supply track system

Linear luminaires

Recessed and surface mounted luminaires

Showcase and over cabinet luminaires

Under cabinet luminaires

Accessories

Appendix



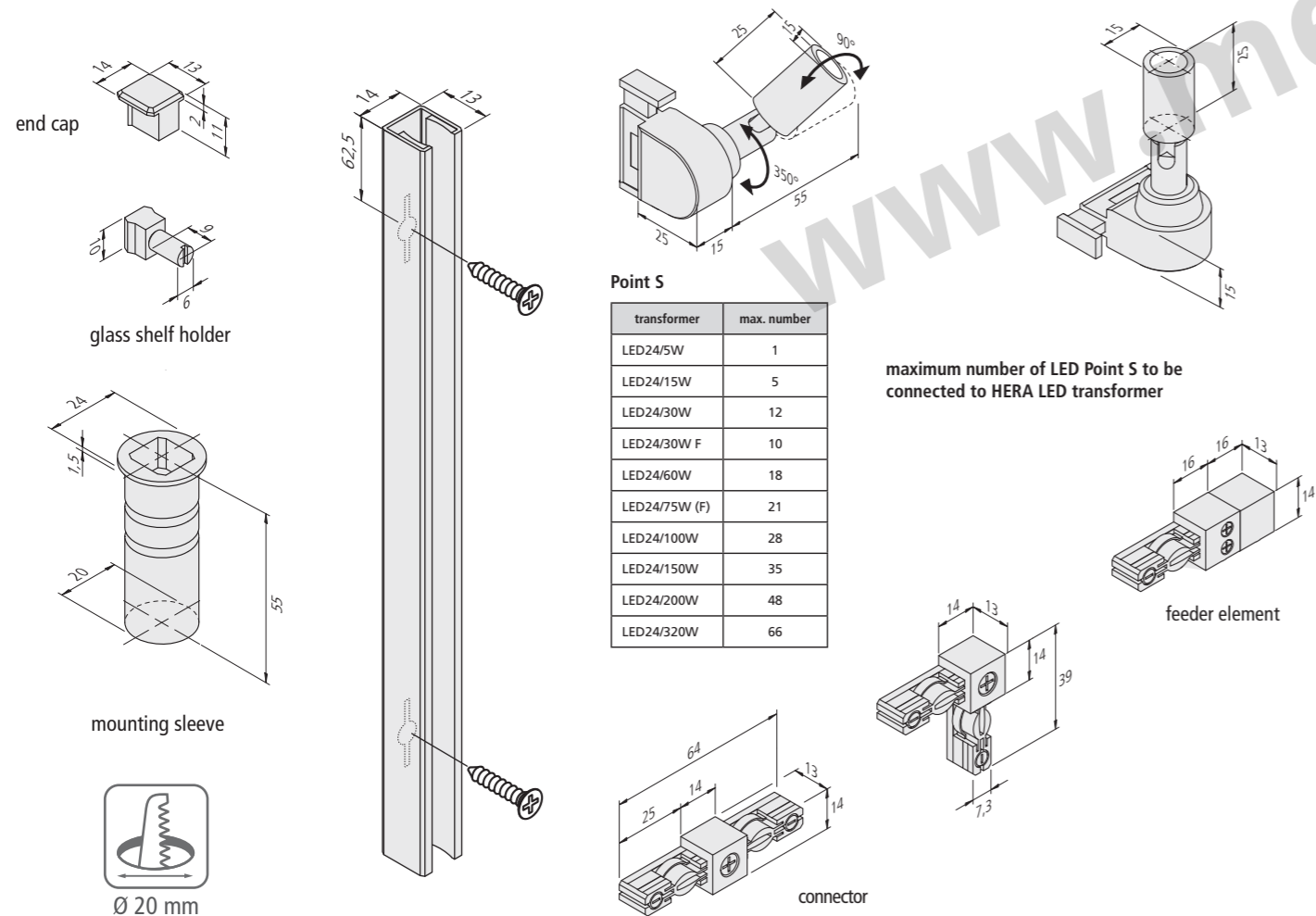
**Connection:** LED transformer DC 24 V  
**Life:** L70/B10 ≥ 50.000 hours  
**Energy efficiency:** LED: 88 lm/W; luminaire: **80 lm** (53 lm/W)  
**Colour rendering:** Ra/CRI > 90

### Special features:

- output: max. 60 W per feeder element
- not dimmable
- adapter for the power supply of other luminaires page 23



Illustration	Article No.	Description	Features	Weight approx.
	202 025 603 02	LED Track Point S 1,5W ww black	<ul style="list-style-type: none"> <li>• colour appearance ww (warm white) approx. 3000K or nw (neutral white) approx. 4000K or cw (cool white) approx. 5000K</li> <li>• beam angle 10° (30° lens enclosed)</li> </ul>	45 g
	202 025 607 02	LED Track Point S 1,5W ww anodized aluminium		45 g
	202 025 603 03	LED Track Point S 1,5W nw black		45 g
	202 025 607 03	LED Track Point S 1,5W nw anodized aluminium		45 g
	202 025 603 01	LED Track Point S 1,5W cw black		45 g
	202 025 607 01	LED Track Point S 1,5W cw anodized aluminium		45 g
	218 000 101 03	LED Track 300mm black	<ul style="list-style-type: none"> <li>• can be cut to length</li> <li>• incl. fastening screws</li> </ul>	70 g
	218 000 101 07	LED Track 300mm anodized aluminium		70 g
	218 000 102 03	LED Track 600mm black		140 g
	218 000 102 07	LED Track 600mm anodized aluminium		140 g
	218 000 103 03	LED Track 1000mm black		230 g
	218 000 103 07	LED Track 1000mm anodized aluminium		230 g
	218 000 201 03	LED Track Feeder Element black	<ul style="list-style-type: none"> <li>• supply cable 2,5m with LED 24 plug</li> <li>• max. 60W</li> </ul>	30 g
	218 000 201 07	LED Track Feeder Element anodized aluminium		30 g
	218 000 301 03	LED Track Connector black	<ul style="list-style-type: none"> <li>• for connecting two rails at 180°</li> </ul>	10 g
	218 000 301 07	LED Track Connector anodized aluminium		10 g
	218 000 401 03	LED Track Corner Connector black	<ul style="list-style-type: none"> <li>• for connecting two rails at 90°</li> </ul>	10 g
	218 000 401 07	LED Track Corner Connector anodized aluminium		10 g
	218 000 501 03	LED Track End Cap black		2 g
	218 000 501 07	LED Track End Cap anodized aluminium		2 g
	218 000 701 13	LED Track Mounting Sleeve black	<ul style="list-style-type: none"> <li>• 55mm mounting depth for 20mm drill hole</li> </ul>	11 g
	218 000 701 17	LED Track Mounting Sleeve anodized aluminium		11 g
	218 000 601 00	LED Track Glass Shelf Holder	<ul style="list-style-type: none"> <li>• for glass shelves</li> </ul>	2 g
	Accessories	LED transformers 24V from page 230		





# TRACK SPOT

Dimmable spot for LED Track

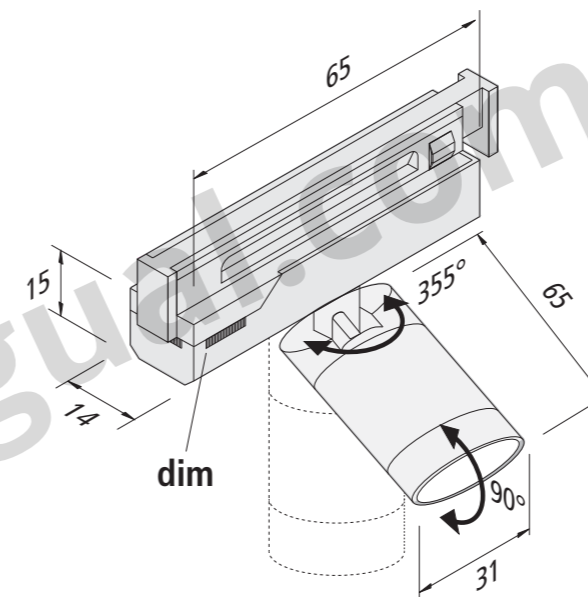


**Connection:** LED transformer DC 24 V  
**Life:** L70/B10 ≥ 60.000 hours  
**Energy efficiency:** LED 120 lm/W; luminaire: 308 lm (40 lm/W)  
**Colour rendering:** Ra/CRI > 90

LED Track Spot		ww	nw
0,5m	∅ 100-300	19760-2960 lx	21248-3184 lx
1,0m	∅ 200-600	4940-740 lx	5312-796 lx
1,5m	∅ 300-900	2196-329 lx	2361-354 lx
2,0m	∅ 400-1200	1235-185 lx	1328-199 lx
2,5m	∅ 500-1500	790-118 lx	850-127 lx

### Special features:

- beam angle adjustable from 10° to 40°
- dimmable spot



### Track Spot

transformer	max. number
LED24/15W	2
LED24/30W	4
LED24/30W F	4
LED24/60W	7
LED24/75W	7
LED24/75W F	9
LED24/100W	12
LED24/150W	19

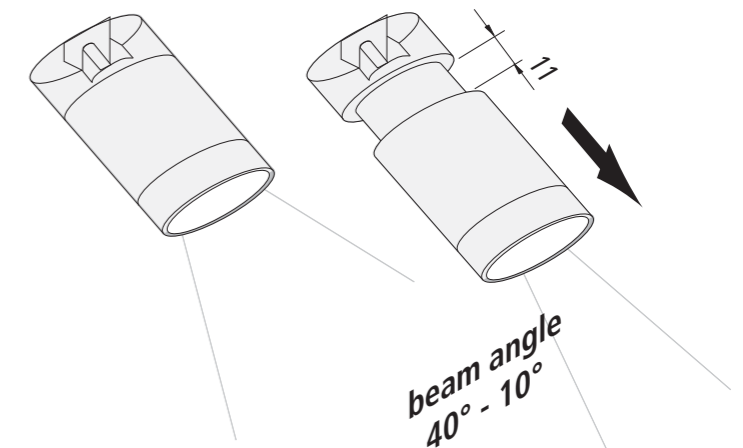


Illustration	Article No.	Description	Features	Weight approx.
	202 028 130 02	LED Track Spot 7,7W ww black	<ul style="list-style-type: none"> <li>• colour appearance ww (warm white) approx. 3000K or nw (neutral white) approx. 4000K</li> <li>• beam angle adjustable from 10° to 40°</li> <li>• dimmable</li> </ul>	108 g
	202 028 130 03	LED Track Spot 7,7W ww anodized aluminium		108 g
	202 028 170 02	LED Track Spot 7,7W nw black		108 g
	202 028 170 03	LED Track Spot 7,7W nw anodized aluminium		108 g
	Accessories	LED Track + feeder element from page 193		



# POINT S

Rotate and swivel LED spotlight



**Connection:** LED transformer DC 350 mA  
**Life:** L70/B10 ≥ 60.000 hours  
**Energy efficiency:** LED: 129 lm/W; luminaire: **115 lm** (115 lm/W)  
**Colour rendering:** Ra/CRI > 90

### Special features:

- quality crafted all-metal body
- easy assembly with M8x1 thread

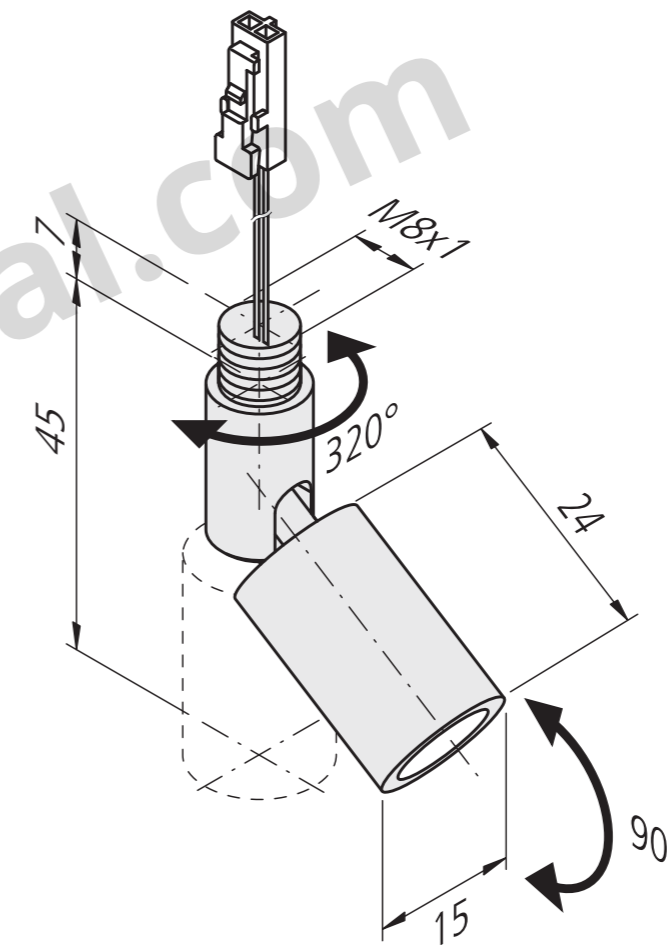


Illustration	Article No.	Description	Features	Weight approx.
	610 017 202 02	LED Point S 1W ww 20° black	<ul style="list-style-type: none"> <li>• colour appearance ww (warm white) approx. 3000K, nw (neutral white) approx. 4000K or cw (cool white) approx. 5000K</li> <li>• supply cable 1,8m with LED 350 plug</li> <li>• beam angle 20° (30° lens enclosed)</li> </ul>	55 g
	610 017 201 02	LED Point S 1W ww 20° anodized aluminium		55 g
	610 017 202 03	LED Point S 1W nw 20° black		55 g
	610 017 201 03	LED Point S 1W nw 20° anodized aluminium		55 g
	215 250 610 01	LED 350 connecting cable 1m		12 g
	215 250 620 01	LED 350 connecting cable 2m		20 g
	Accessories	LED transformers 350mA from page 240		



# GLASS CLIP

Clipable glass shelf luminaire up + down



**Connection:** LED transformer DC 24 V  
**Life:** L90/B10 ≥ 30.000 hours  
**Energy efficiency:** LED: 110 lm/W; luminaire: **90 lm** (75 lm/W)  
**Colour rendering:** Ra/CRI > 80

LED Glasclip			
		ww	nw
0,5m	Ø 600	140 lx	152 lx
1,0m	Ø 1200	35 lx	38 lx
1,5m	Ø 1800	16 lx	17 lx
2,0m	Ø 2400	9 lx	10 lx
2,5m	Ø 3000	6 lx	6 lx

### Special features:

- for glass shelves 6 to 8 mm

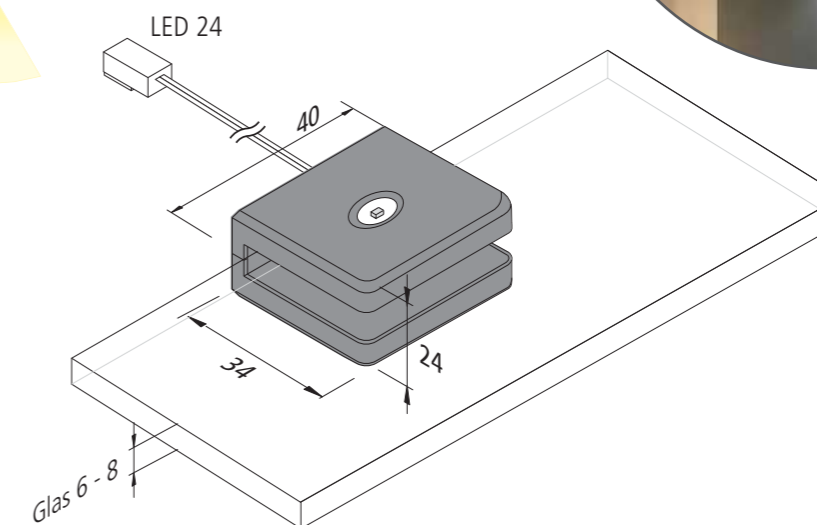
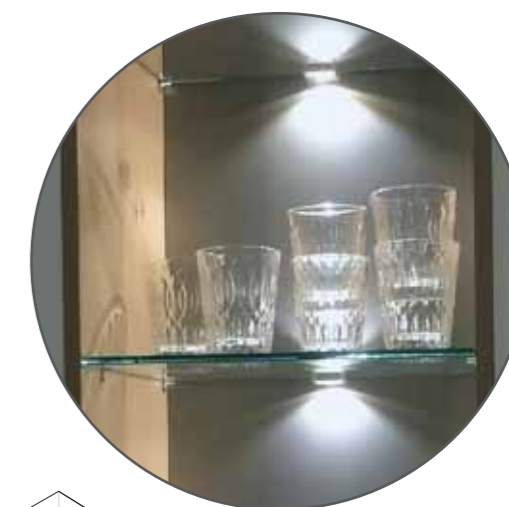
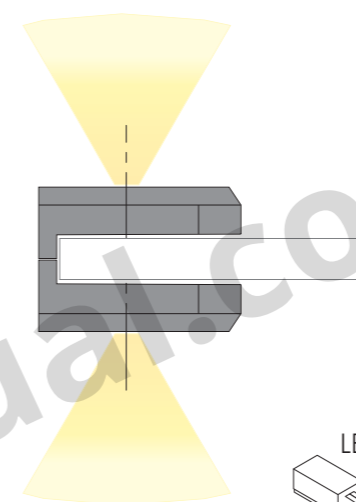


Illustration	Article No.	Description	Features	Weight approx.
	202 030 030 02	LED Glass Clip 1,2W ww black	• colour appearance ww (warm white) approx. 3000K • supply cable 2,5m with LED 24 plug	42 g
	202 030 080 02	LED Glass Clip 1,2W ww stainless steel look		42 g
	202 030 030 01	LED Glass Clip 1,2W nw black	• colour appearance nw (neutral white) approx. 4000K • supply cable 2,5m with LED 24 plug	42 g
	202 030 080 01	LED Glass Clip 1,2W nw stainless steel look		42 g
	215 300 610 01	LED 24 connecting cable 1,0m	• up to max. 60W usable • further information + lengths on page 232	9 g
	215 300 625 01	LED 24 connecting cable 2,5m		22 g
	206 040 011 01	Transformer LED 24/ 15W DC 24V	• mains cable 2m with Euro plug • 12-way distributor	167 g
	206 040 012 01	Transformer LED 24/ 30W DC 24V		330 g



# LUGANO

LED over cabinet luminaire with homogeneous planar light



**Connection:** LED transformer DC 24 V  
**Life:** L70/B10 ≥ 60.000 hours  
**Energy efficiency:** LED: 107 lm/W; luminaire: 495 / 660 / 990 / 1293 lm (51 lm/W)  
**Colour rendering:** Ra/CRI > 95

**Special features:**

- no visible luminous spots

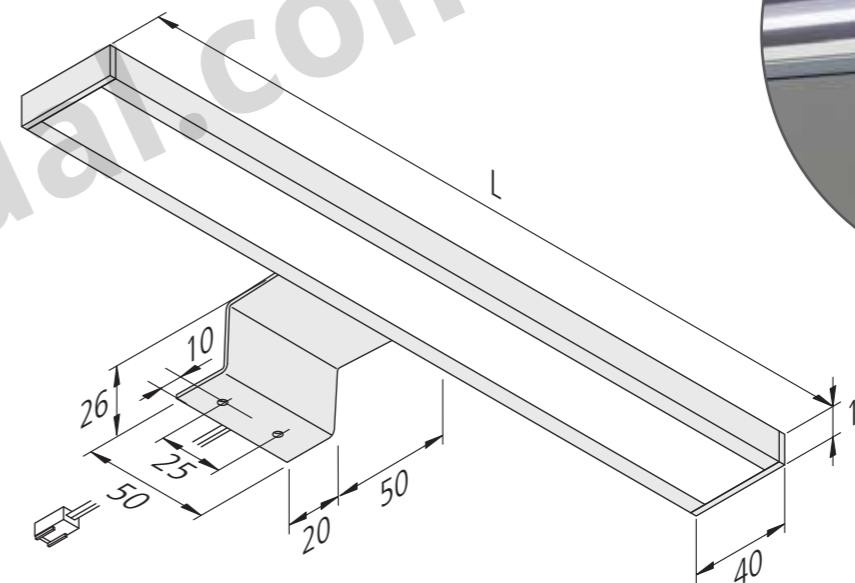


Illustration	Article No.	Description	Features	Weight approx.	
	610 016 401 02	Lugano 450mm 8,0W ww anodized aluminium	<ul style="list-style-type: none"> <li>• colour appearance ww (<b>warm white</b>) approx. 3000K</li> <li>• supply cable 2,3m with LED 24 plug</li> </ul>	290 g	
	610 016 402 02	Lugano 600mm 10,9W ww anodized aluminium		370 g	
	610 016 404 02	Lugano 900mm 16,6W ww anodized aluminium		500 g	
	610 016 403 02	Lugano 1200mm 21,8W ww anodized aluminium		630 g	
	610 016 401 03	Lugano 450mm 8,0W nw anodized aluminium		<ul style="list-style-type: none"> <li>• colour appearance nw (<b>neutral white</b>) approx. 4000K</li> <li>• supply cable 2,3m with LED 24 plug</li> </ul>	290 g
	610 016 402 03	Lugano 600mm 10,9W nw anodized aluminium			370 g
610 016 404 03	Lugano 900mm 16,6W nw anodized aluminium	500 g			
610 016 403 03	Lugano 1200mm 21,8W nw anodized aluminium	630 g			
	215 300 610 01	LED 24 connecting cable 1,0m	<ul style="list-style-type: none"> <li>• up to <b>max. 60W</b> usable</li> <li>• further information + lengths on page 232</li> </ul>	9 g	
	215 300 625 01	LED 24 connecting cable 2,5m		22 g	
	206 040 011 01	Transformer LED 24/ 15W DC 24V	<ul style="list-style-type: none"> <li>• mains cable 2m with Euro plug</li> <li>• 12-way distributor</li> </ul>	167 g	
	206 040 012 01	Transformer LED 24/ 30W DC 24V		330 g	

# UNDER CABINET LUMINAIRES

Under cabinet luminaires are a smart solution for adding luminous accents to an ambience by means of retrofitting.



# DYNAMIC MODULITE F

Flat LED under cabinet luminaire with adjustable colour appearance for 230 V

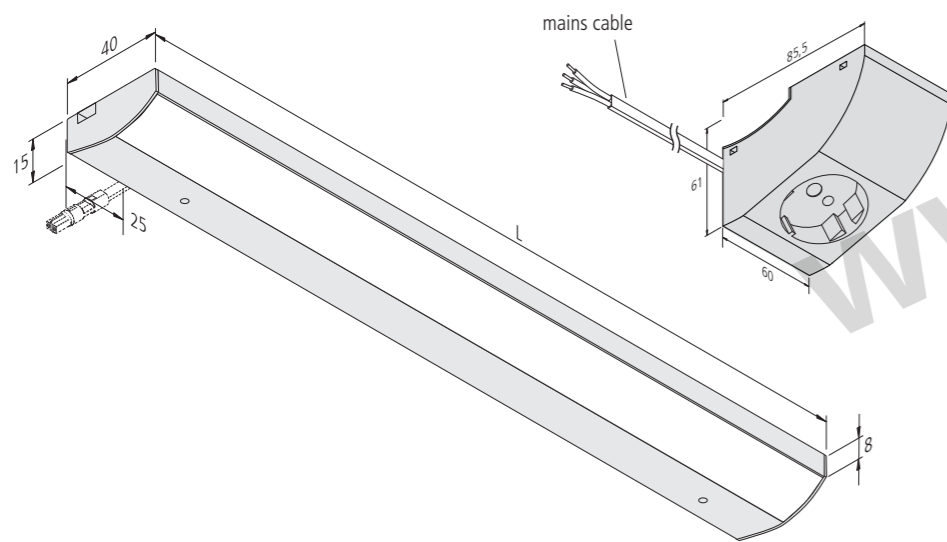


**Connection:** 220 - 240V / 50 - 60Hz  
**Life:** L70/B10 ≥ 60.000 hours  
**Energy efficiency:** LED: 122 lm/W luminaire: **1583 lm/m** (95 lm/W)  
**Colour rendering:** Ra/CRI > 80

Dynamic LED ModuLite F		
	xw	cw
0,5m	Ø 610	2320 lx 2440 lx
1,0m	Ø 1220	580 lx 610 lx
1,5m	Ø 1830	258 lx 271 lx
2,0m	Ø 2440	145 lx 153 lx
2,5m	Ø 3050	93 lx 98 lx

### Special features:

- integrated HV LCS plug and socket in casing for uninterrupted strip lights (max. 300 W)
- no visible luminous spots
- with integrated Dynamic controller
- dimmable; colour appearance adjustable between approx. 2700 K (xw) and 5000 K (cw) with different remote controls



wattage	L	Number *
10 W	600	30
15 W	900	20
18 W	1200	16

\* Maximum number of luminaires per strip light (maximum 3 strip lights, HV LCS V 6-way distributor maximum 2,5A total) on one N-circuit breaker 16A, single pole, type B.

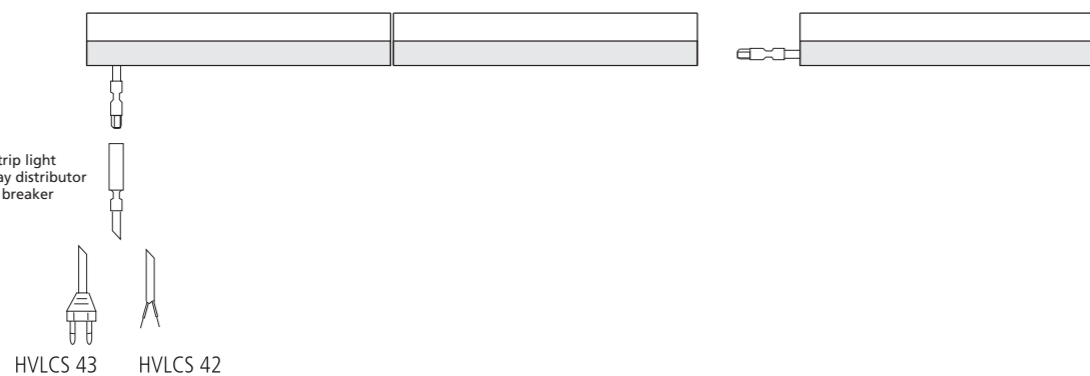


Illustration	Article No.	Description	Features	Weight approx.
	202 025 832 02	Dynamic LED ModuLite F 600mm 10W white	<ul style="list-style-type: none"> <li>• colour appearance adjustable between approx. 2700K and 5000K</li> <li>• without switch // white</li> <li>• HV LCS plug and HV LCS socket integrated</li> <li>• please order mains cable and remote controls separately</li> </ul>	270 g
	202 025 833 02	Dynamic LED ModuLite F 900mm 15W white		390 g
	202 025 834 02	Dynamic LED ModuLite F 1200mm 18W white		520 g
	202 025 832 03	Dynamic LED ModuLite F 600mm 10W black	<ul style="list-style-type: none"> <li>• colour appearance adjustable between approx. 2700K and 5000K</li> <li>• without switch // black</li> <li>• HV LCS plug and HV LCS socket integrated</li> <li>• please order mains cable and remote controls separately</li> </ul>	270 g
	202 025 833 03	Dynamic LED ModuLite F 900mm 15W black		390 g
	202 025 834 03	Dynamic LED ModuLite F 1200mm 18W black		520 g
	202 025 832 01	Dynamic LED ModuLite F 600mm 10W anodized aluminium	<ul style="list-style-type: none"> <li>• colour appearance adjustable between approx. 2700K and 5000K</li> <li>• without switch // anodized aluminium</li> <li>• HV LCS plug and HV LCS socket integrated</li> <li>• please order mains cable and remote controls separately</li> </ul>	270 g
	202 025 833 01	Dynamic LED ModuLite F 900mm 15W anodized aluminium		390 g
	202 025 834 01	Dynamic LED ModuLite F 1200mm 18W anodized aluminium		520 g
	615 000 524 07 <sup>1)</sup>	Socket ModuLite anodized aluminium	<ul style="list-style-type: none"> <li>• mains cable 1,8m with ferrules and mountable plug</li> <li>• can be mounted at any position above the ModuLite</li> </ul>	310 g
	615 000 506 31	4-channel remote control black	<ul style="list-style-type: none"> <li>• to operate the controller in the luminaire</li> <li>• up to 7 different transmitter can be used with one controller</li> </ul>	65 g
	615 000 506 41	Surface mounted remote control Dynamic stainless steel look	<ul style="list-style-type: none"> <li>• each remote control can be trained in parallel to any number of controllers</li> <li>• operation with the flush-mounted touch remote control is not recommended (range only 2m)</li> </ul>	40 g
	615 000 506 51	Recessed remote control Dynamic stainless steel look		15 g
	215 440 220 02	HV LCS 42/2000 mains cable with AE 2m	<ul style="list-style-type: none"> <li>• with ferrules</li> <li>• with Euro plug</li> </ul>	70 g
	215 440 320 01	HV LCS 43/2000 mains cable with Euro 2m		90 g
	215 440 605 01	HV LCS 46/ 500 connecting cable 0,5m	<ul style="list-style-type: none"> <li>• for corner mounting or when installing the luminaires at a distance</li> </ul>	30 g
	215 440 610 01	HV LCS 46/1000 connecting cable 1m		45 g
	215 440 615 01	HV LCS 46/1500 connecting cable 1,5m		60 g
	215 440 620 01	HV LCS 46/2000 connecting cable 2m		75 g

Introduction

Power supply track system

Linear luminaires

Recessed and surface mounted luminaires

Showcase and over cabinet luminaires

Under cabinet luminaires

Accessories

Appendix

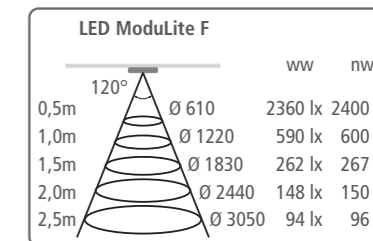


# MODULITE F

Flat LED under cabinet luminaire for 230 V

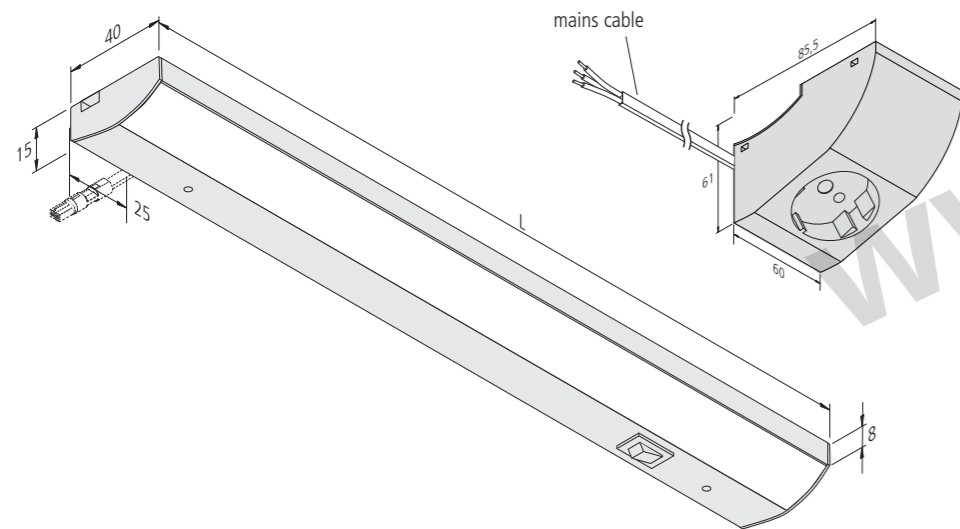


**Connection:** 220 - 240V / 50 - 60Hz  
**Life:** L70/B10 ≥ 60.000 hours  
**Energy efficiency:** LED: 122 lm/W; luminaire: **1583 lm/m** (95 lm/W)  
**Colour rendering:** Ra/CRI > 90



### Special features:

- integrated HVLCS plug and socket in casing for uninterrupted strip lights (max. 300 W)
- with integrated switch
- not dimmable



wattage	L	Number *
5 W	300	60
8 W	450	36
10 W	600	30
15 W	900	20
18 W	1200	16

\* Maximum number of luminaires per strip light (maximum 3 strip lights, HVLCS V 6-way distribut maximum 2,5A total) on one N-circuit breaker 16A, single pole, type B.

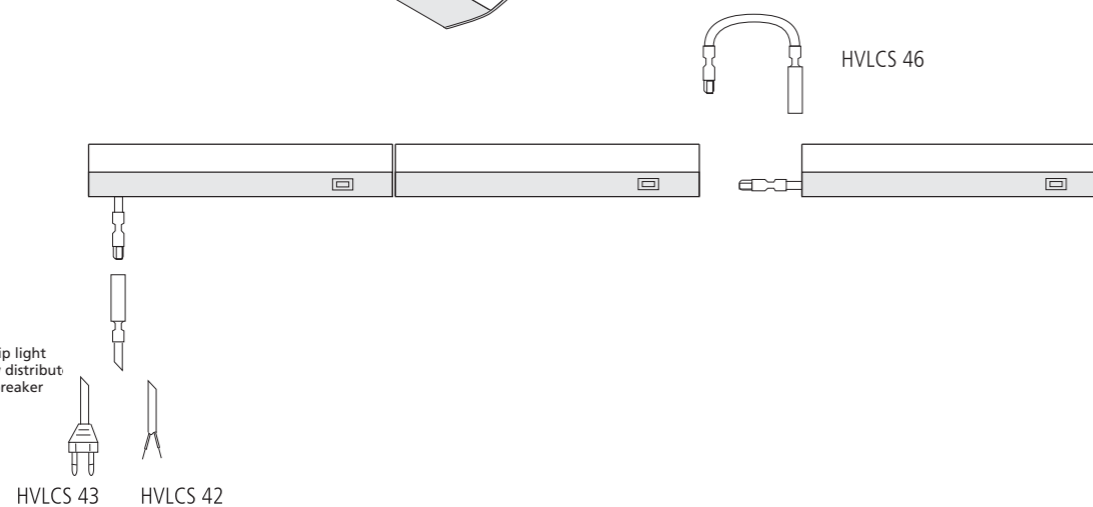


Illustration	Article No.	Description	Features	Weight approx.
	202 025 801 12	LED ModuLite F 450mm 8W ww	<ul style="list-style-type: none"> <li>• colour appearance ww (warm white) approx. 3000K</li> <li>• incl. switch // white</li> <li>• HVLCS plug and HVLCS socket integrated</li> <li>• please order mains cable separately</li> </ul>	195 g
	202 025 802 12	LED ModuLite F 600mm 10W ww		260 g
	202 025 803 12	LED ModuLite F 900mm 15W ww		390 g
	202 025 804 12	LED ModuLite F 1200mm 18W ww		520 g
	202 025 801 13	LED ModuLite F 450mm 8W nw	<ul style="list-style-type: none"> <li>• colour appearance nw (neutral white) approx. 4000K</li> <li>• incl. switch // white</li> <li>• HVLCS plug and HVLCS socket integrated</li> <li>• please order mains cable separately</li> </ul>	195 g
	202 025 802 13	LED ModuLite F 600mm 10W nw		260 g
	202 025 803 13	LED ModuLite F 900mm 15W nw		390 g
	202 025 804 13	LED ModuLite F 1200mm 18W nw		520 g
	202 025 801 32	LED ModuLite F 450mm 8W ww	<ul style="list-style-type: none"> <li>• colour appearance ww (warm white) approx. 3000K</li> <li>• incl. switch // black</li> <li>• HVLCS plug and HVLCS socket integrated</li> <li>• please order mains cable separately</li> </ul>	195 g
	202 025 802 32	LED ModuLite F 600mm 10W ww		260 g
	202 025 803 32	LED ModuLite F 900mm 15W ww		390 g
	202 025 804 32	LED ModuLite F 1200mm 18W ww		520 g
	202 025 801 33	LED ModuLite F 450mm 8W nw	<ul style="list-style-type: none"> <li>• colour appearance nw (neutral white) approx. 4000K</li> <li>• incl. switch // black</li> <li>• HVLCS plug and HVLCS socket integrated</li> <li>• please order mains cable separately</li> </ul>	195 g
	202 025 802 33	LED ModuLite F 600mm 10W nw		260 g
	202 025 803 33	LED ModuLite F 900mm 15W nw		390 g
	202 025 804 33	LED ModuLite F 1200mm 18W nw		520 g
	202 025 800 02	LED ModuLite F 300mm 5W ww	<ul style="list-style-type: none"> <li>• colour appearance ww (warm white) approx. 3000K</li> <li>• incl. switch // anodized aluminium</li> <li>• HVLCS plug and HVLCS socket integrated</li> <li>• please order mains cable separately</li> </ul>	140 g
	202 025 801 02	LED ModuLite F 450mm 8W ww		195 g
	202 025 802 02	LED ModuLite F 600mm 10W ww		260 g
	202 025 803 02	LED ModuLite F 900mm 15W ww		390 g
	202 025 804 02	LED ModuLite F 1200mm 18W ww		520 g
	202 025 800 03	LED ModuLite F 300mm 5W nw		140 g
202 025 801 03	LED ModuLite F 450mm 8W nw	195 g		
202 025 802 03	LED ModuLite F 600mm 10W nw	260 g		
202 025 803 03	LED ModuLite F 900mm 15W nw	390 g		
202 025 804 03	LED ModuLite F 1200mm 18W nw	520 g		
	615 000 524 07 <sup>1)</sup>	Socket ModuLite anodized aluminium	<ul style="list-style-type: none"> <li>• mains cable 1,8m with ferrules and mountable plug</li> <li>• can be mounted at any position above the ModuLite</li> </ul>	310 g
	215 440 220 02	HVLCS 42/2000 mains cable with AE 2m	• with ferrules	70 g
	215 440 320 01	HVLCS 43/2000 mains cable with Euro 2m	• with Euro plug	90 g
	215 440 605 01	HVLCS 46/ 500 connecting cable 0,5m	<ul style="list-style-type: none"> <li>• for corner mounting or when installing the luminaires at a distance</li> </ul>	30 g
	215 440 610 01	HVLCS 46/1000 connecting cable 1m		45 g
	215 440 615 01	HVLCS 46/1500 connecting cable 1,5m		60 g
	215 440 620 01	HVLCS 46/2000 connecting cable 2m		75 g

Introduction

Power supply track system

Linear luminaires

Recessed and surface mounted luminaires

Showcase and over cabinet luminaires

Under cabinet luminaires

Accessories

Appendix



# TOP-STICK FMK / TOP-STICK FMT

Flat LED under cabinet luminaire with homogeneous planar light



**Connection:** LED transformer DC 24 V  
**Life:** L70/B10 ≥ 60.000 hours  
**Energy efficiency:** LED 107 lm/W; luminaire: 1135 lm/m (63 lm/W)  
**Colour rendering:** Ra/CRI > 95

Top-Stick FMK / FMT		ww	nw
0,5m	Ø 610	2064 lx	2160 lx
1,0m	Ø 1220	516 lx	540 lx
1,5m	Ø 1830	229 lx	240 lx
2,0m	Ø 2440	129 lx	135 lx
2,5m	Ø 3050	83 lx	86 lx

### Special features:

- construction height of only 8 mm
- no visible luminous spots
- version FMT with touch dimmer (for switching and dimming) and memory function (after disconnection from the mains, the previous dimming status is restored)

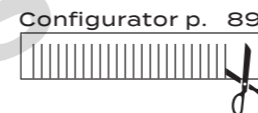
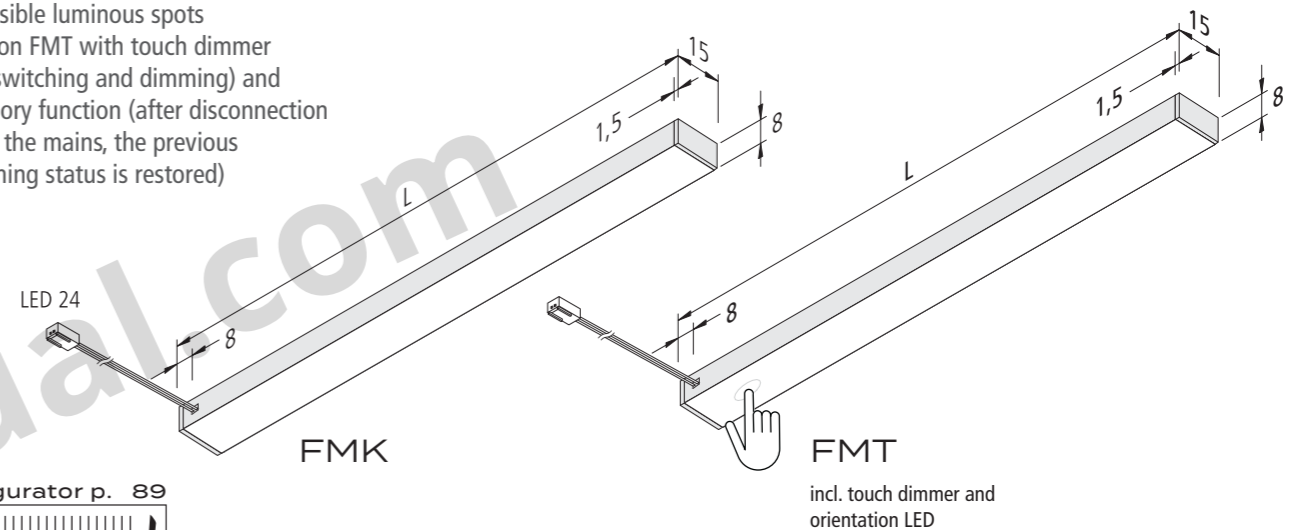


Illustration	Article No.	Description	Features	Weight approx.	
	610 014 271 02	LED Top-Stick FMK 450mm 8,0W ww	<ul style="list-style-type: none"> <li>• colour appearance ww (warm white) approx. 3000K</li> <li>• supply cable 2,5m with LED 24 plug (rear cable outlet)</li> <li>• anodized aluminium</li> </ul>	80 g	
	610 014 272 02	LED Top-Stick FMK 600mm 10,9W ww		95 g	
	610 014 273 02	LED Top-Stick FMK 900mm 16,6W ww		130 g	
	610 014 274 02	LED Top-Stick FMK 1200mm 21,8W ww		165 g	
	610 014 271 03	LED Top-Stick FMK 450mm 8,0W nw		80 g	
	610 014 272 03	LED Top-Stick FMK 600mm 10,9W nw		95 g	
	610 014 273 03	LED Top-Stick FMK 900mm 16,6W nw	<ul style="list-style-type: none"> <li>• colour appearance nw (neutral white) approx. 4000K</li> <li>• supply cable 2,5m with LED 24 plug (rear cable outlet)</li> <li>• anodized aluminium</li> </ul>	130 g	
	610 014 274 03	LED Top-Stick FMK 1200mm 21,8W nw		165 g	
	610 014 271 22	LED Top-Stick FMT 450mm 7,1W ww		<ul style="list-style-type: none"> <li>• colour appearance ww (warm white) approx. 3000K</li> <li>• supply cable 2,5m with LED 24 plug (rear cable outlet)</li> <li>• anodized aluminium</li> <li>• incl. touch dimmer and orientation LED</li> </ul>	80 g
	610 014 272 22	LED Top-Stick FMT 600mm 10,0W ww			95 g
	610 014 273 22	LED Top-Stick FMT 900mm 15,6W ww			130 g
	610 014 274 22	LED Top-Stick FMT 1200mm 20,9W ww			165 g
610 014 271 23	LED Top-Stick FMT 450mm 7,1W nw	80 g			
610 014 272 23	LED Top-Stick FMT 600mm 10,0W nw	95 g			
	610 014 273 23	LED Top-Stick FMT 900mm 15,6W nw	<ul style="list-style-type: none"> <li>• incl. touch dimmer and orientation LED</li> </ul>	130 g	
	610 014 274 23	LED Top-Stick FMT 1200mm 20,9W nw		165 g	
	202 040 122 01	Mounting clip LED Mounting Profile 15/8mm transparent for recessed grip profile L-form <b>NEW</b>		<ul style="list-style-type: none"> <li>• set of 2 with screws</li> </ul>	11 g
	202 040 123 01	Mounting clip LED Mounting Profile 15/8mm transparent for recessed grip profile C-form <b>NEW</b>	<ul style="list-style-type: none"> <li>• set of 2 with screws</li> </ul>	10 g	
Accessories		LED transformers 24V from page 230 / dim controller page 238			





**NEW**

# U-PAD F

Flat design under cabinet luminaire



**Connection:** LED transformer DC 24 V  
**Life:** L70/B10 ≥ 54.000 hours  
**Energy efficiency:** luminaire: 210 lm (34 lm/W)  
**Colour rendering:** Ra/CRI > 90

U-Pad F		ww	nw
0,5m	Ø 710	188 lx	252 lx
1,0m	Ø 1420	47 lx	63 lx
1,5m	Ø 2130	21 lx	28 lx
2,0m	Ø 2840	12 lx	16 lx
2,5m	Ø 3550	8 lx	10 lx

**Special features:**

- sets can be dimmed via contactless IR dimmer (for switching and dimming) with memory function (after cut off from mains the last dimming state is recovered)

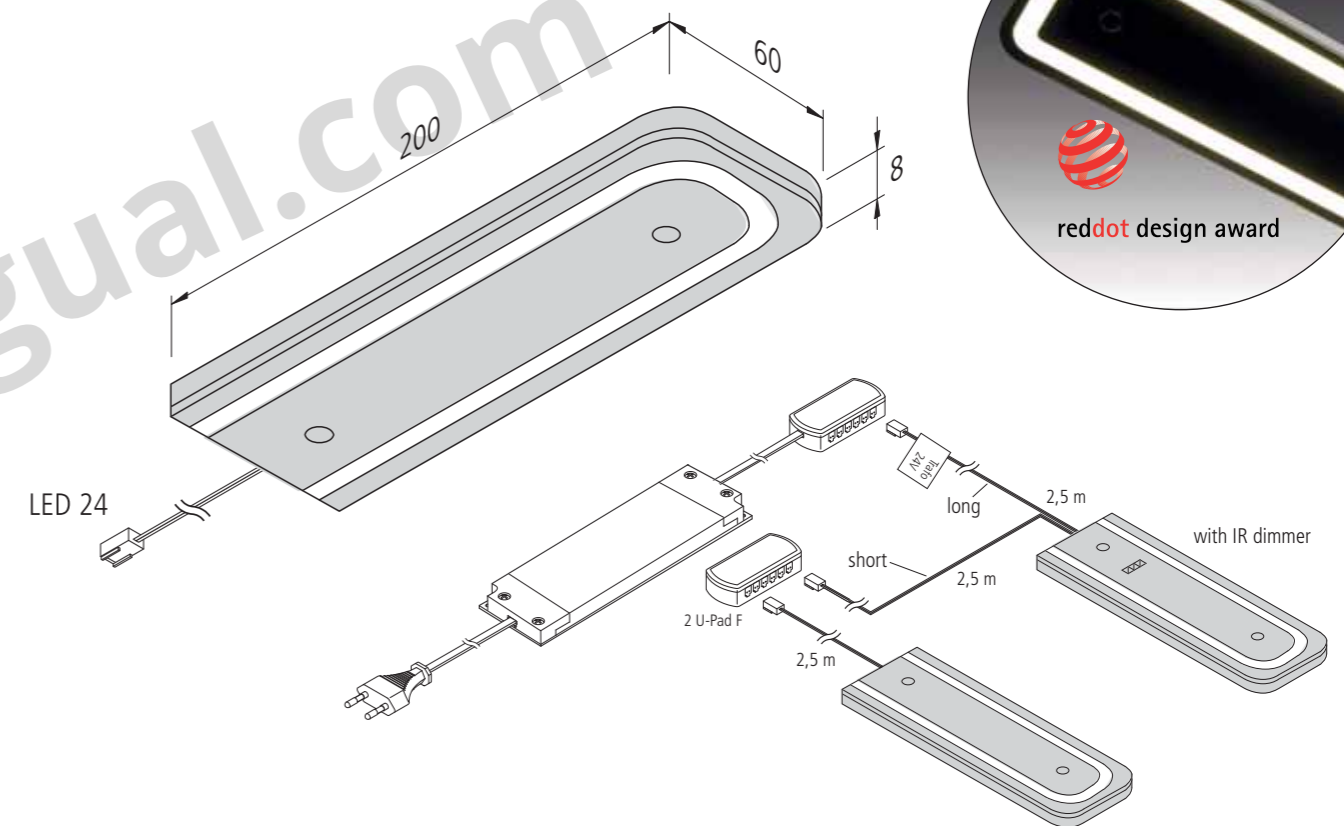


Illustration	Article No.	Description	Features	Weight approx.
	202 033 103 02	U-Pad F 6W ww black	<ul style="list-style-type: none"> <li>colour appearance ww (warm white) approx. 3000K or nw (neutral white) approx. 4000K</li> <li>supply cable 2,5m with LED 24 plug</li> </ul>	190 g
	202 033 103 03	U-Pad F 6W nw black		190 g
	202 033 103 12	U-Pad F 6W ww black with dimmer		200 g
	202 033 103 13	U-Pad F 6W nw black with dimmer		200 g
	202 033 123 02	Set of 2 U-Pad F 6W ww black with dimmer + transformer 20W	<ul style="list-style-type: none"> <li>colour appearance ww (warm white) approx. 3000K or nw (neutral white) approx. 4000K</li> <li>supply cable 2,5m with LED 24 plug</li> <li>incl. touchless IR dimmer</li> <li>incl. transformer</li> </ul>	635 g
	202 033 123 03	Set of 2 U-Pad F 6W nw black with dimmer + transformer 20W		635 g
	202 033 133 02	Set of 3 U-Pad F 6W ww black with dimmer + transformer 20W		825 g
	202 033 133 03	Set of 3 U-Pad F 6W nw black with dimmer + transformer 20W		825 g
	202 033 153 02	Set of 5 U-Pad F 6W ww black with dimmer + transformer 40W		1205 g
202 033 153 03	Set of 5 U-Pad F 6W nw black with dimmer + transformer 40W	1205 g		

U-Pad F expected to be available from May 2023



## ADD-ON MINI

Flat LED under cabinet luminaire with homogeneous planar light



**Connection:** LED transformer DC 24 V  
**Life:** L70/B10 ≥ 60.000 hours  
**Energy efficiency:** LED: 120 lm/W; luminaire: **280 lm** (65 lm/W)  
**Colour rendering:** Ra/CRI > 95

LED ADD-ON Mini			ww	nw
0,5m	Ø 620	110°	453 lx	466 lx
1,0m	Ø 1240		113 lx	117 lx
1,5m	Ø 1860		50 lx	52 lx
2,0m	Ø 2480		28 lx	29 lx
2,5m	Ø 3100		18 lx	19 lx

### Special features:

- construction height of only 8 mm
- no visible luminous spots
- sets can be dimmed via invisible Dim Controller Touch with memory function (after disconnection from the mains, the previous dimming status is restored)

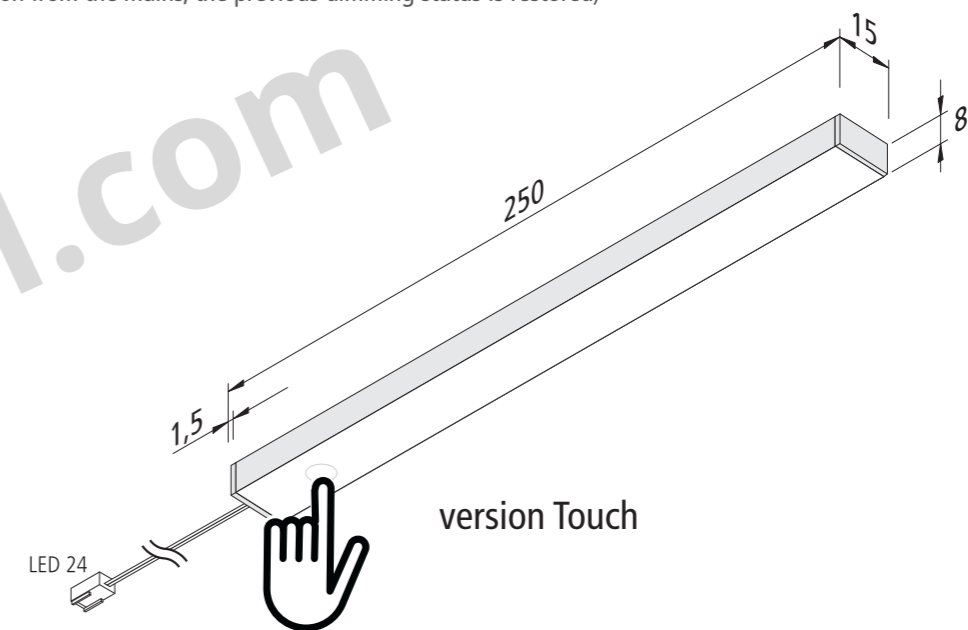


Illustration	Article No.	Description	Features	Weight approx.
	610 012 221 02	LED ADD-ON Mini 4,3W ww anodized aluminium	<ul style="list-style-type: none"> <li>• colour appearance ww (<b>warm white</b>) approx. 3000K or nw (<b>neutral white</b>) approx. 4000K</li> <li>• supply cable 2,5m with LED 24 plug</li> </ul>	55 g
	610 012 221 03	LED ADD-ON Mini 4,3W nw anodized aluminium		55 g
	610 548 232 01	set of 3 LED ADD-ON Mini 4,3W ww anodized aluminium	<ul style="list-style-type: none"> <li>• colour appearance ww (<b>warm white</b>) approx. 3000K or nw (<b>neutral white</b>) approx. 4000K</li> <li>• incl. transformer LED 24/15W</li> </ul>	330 g
	610 548 233 01	set of 3 LED ADD-ON Mini 4,3W nw anodized aluminium		330 g
	610 548 232 21	set of 3 LED ADD-ON Mini 4,3W ww anodized aluminium with Dim-Controller Touch	<ul style="list-style-type: none"> <li>• colour appearance ww (<b>warm white</b>) approx. 3000K or nw (<b>neutral white</b>) approx. 4000K</li> <li>• incl. transformer 24/15W + Dim-Controller Touch</li> </ul>	400 g
	610 548 233 21	set of 3 LED ADD-ON Mini 4,3W nw anodized aluminium with Dim-Controller Touch		400 g
	215 300 610 01	LED 24 connecting cable 1,0m	<ul style="list-style-type: none"> <li>• up to <b>max. 60W</b> usable</li> <li>• further information + lengths on page 232</li> </ul>	9 g
	215 300 625 01	LED 24 connecting cable 2,5m		22 g
	206 040 011 01	Transformer LED 24/ 15W DC 24V	<ul style="list-style-type: none"> <li>• mains cable 2m with Euro plug</li> <li>• 12-way distributor</li> </ul>	167 g
	206 040 012 01	Transformer LED 24/ 30W DC 24V		330 g

# DYNAMIC SKY

Flat LED under cabinet luminaire with large planar light and adjustable colour appearance



**Connection:** LED transformer DC 24 V  
**Life:** L70/B10 ≥ 50.000 hours  
**Energy efficiency:** LED 92 lm/W; luminaire: 255 lm (43 lm/W)  
**Colour rendering:** Ra/CRI > 91

Dynamic LED Sky				
		ww	nw	cw
0,5m	Ø 620	420 lx	440 lx	456 lx
1,0m	Ø 1240	105 lx	110 lx	114 lx
1,5m	Ø 1860	47 lx	49 lx	51 lx
2,0m	Ø 2480	26 lx	28 lx	29 lx
2,5m	Ø 3100	17 lx	18 lx	18 lx

### Special features:

- colour appearance adjustable between 2700 K (xw) and 5000 K (cw)

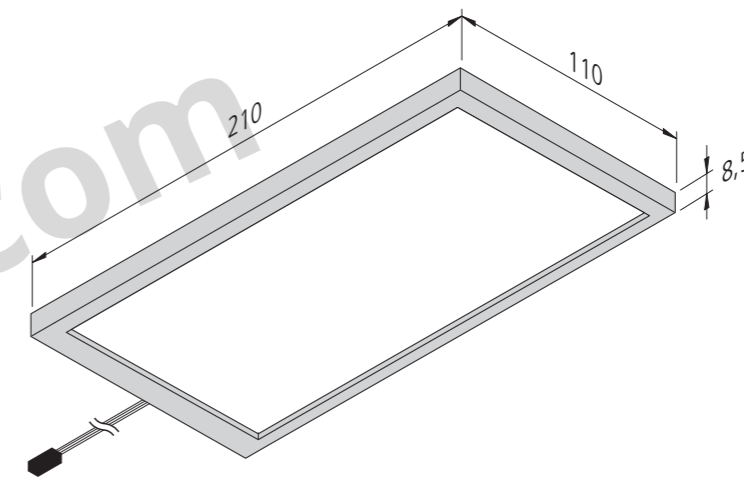


Illustration	Article No.	Description	Features	Weight approx.
	202 027 302 03	Dynamic LED Sky 6W black	<ul style="list-style-type: none"> <li>• colour appearance adjustable between approx. 2700K and 5000K</li> <li>• supply cable 2,4m with Dynamic plug</li> </ul>	240 g
	202 027 301 08	Dynamic LED Sky 6W stainless steel		240 g
	610 532 301 03	set of 3 Dynamic LED Sky 6W black	<ul style="list-style-type: none"> <li>• colour appearance adjustable between approx. 2700K and 5000K</li> <li>• incl. surface mounted remote control and transformer 30W</li> </ul>	1075 g
	610 532 301 08	set of 3 Dynamic LED Sky 6W stainless steel		1075 g
	615 000 505 32	24V Dynamic-Controller radio 75W incl. 4 channel remote control black	<ul style="list-style-type: none"> <li>• as essential accessory</li> <li>• to adjust the colour, dim and switch</li> <li>• 12-way distributor</li> <li>• further Dynamic-controllers (e. g. BLE + DALI) page 237</li> </ul>	130 g
	615 000 505 31	24V Dynamic-Controller radio 75W incl. surface mounted remote control stainless steel look		105 g
	615 000 505 34	24V Dynamic-Controller radio 75W incl. recessed remote control stainless steel look		80 g
	215 350 610 01	Connecting cable Dynamic 1m	<ul style="list-style-type: none"> <li>• connection between distributor and luminaire</li> </ul>	16 g
	215 350 625 01	Connecting cable Dynamic 2,5m		40 g
	215 080 607 14	Dynamic 4-way distributor	<ul style="list-style-type: none"> <li>• cable 100mm with Dynamic plug</li> <li>• for 3 additional supply cables</li> </ul>	16 g
Accessories		LED transformers 24V from page 230 / DALI and BLE controller page 237		



Flat LED under cabinet luminaire with large light surface



**Connection:** LED transformer DC 24 V  
**Life:** L70/B10 ≥ 50.000 hours  
**Energy efficiency:** LED 115 lm/W; luminaire: 260 lm (45 lm/W)  
**Colour rendering:** Ra/CRI > 90

LED Sky		ww	nw
0,5m	Ø 620	700 lx	800 lx
1,0m	Ø 1240	175 lx	200 lx
1,5m	Ø 1860	78 lx	89 lx
2,0m	Ø 2480	44 lx	50 lx
2,5m	Ø 3100	28 lx	32 lx

**Special features:**

- sets can be dimmed via invisible Dim-Controller Sonar with memory function (after disconnection from the mains, the previous dimming status is restored)

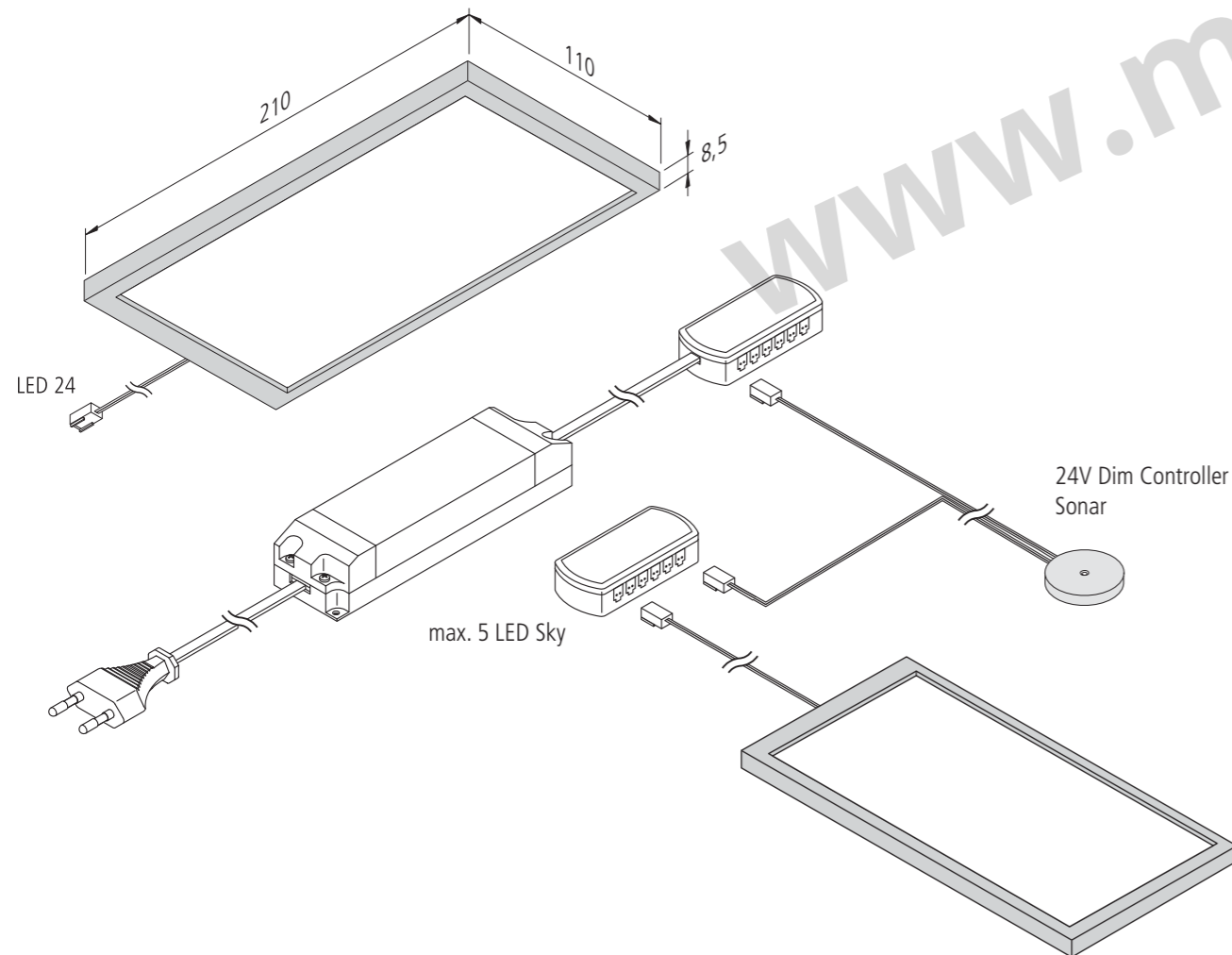


Illustration	Article No.	Description	Features	Weight approx.
	202 026 603 02	LED Sky 6W ww black	<ul style="list-style-type: none"> <li>colour appearance ww (warm white) approx. 3000K</li> <li>supply cable 2,5m with LED 24 plug</li> </ul>	240 g
	202 026 608 02	LED Sky 6W ww stainless steel		240 g
	202 026 603 03	LED Sky 6W nw black	<ul style="list-style-type: none"> <li>colour appearance nw (neutral white) approx. 4000K</li> <li>supply cable 2,5m with LED 24 plug</li> </ul>	240 g
	202 026 608 03	LED Sky 6W nw stainless steel		240 g
	610 574 201 32	set of 2 LED Sky 6W ww black	<ul style="list-style-type: none"> <li>colour appearance ww (warm white) approx. 3000K or nw (neutral white) approx. 4000K</li> <li>incl. transformer 30W (up to 5 luminaires can be added)</li> </ul>	730 g
	610 574 201 82	set of 2 LED Sky 6W ww stainless steel		730 g
	610 574 201 33	set of 2 LED Sky 6W nw black		730 g
	610 574 201 83	set of 2 LED Sky 6W nw stainless steel		730 g
	610 574 202 32	set of 2 LED Sky 6W ww black with Dim-Controller Sonar	<ul style="list-style-type: none"> <li>colour appearance ww (warm white) approx. 3000K or nw (neutral white) approx. 4000K</li> <li>incl. transformer 30W (up to 5 luminaires can be added) + Dim-Controller Sonar + cable duct 250 x 9 x 5mm</li> </ul>	800 g
	610 574 202 82	set of 2 LED Sky 6W ww stainless steel with Dim-Controller Sonar		800 g
	610 574 202 33	set of 2 LED Sky 6W nw black with Dim-Controller Sonar		800 g
	610 574 202 83	set of 2 LED Sky 6W nw stainless steel with Dim-Controller Sonar		800 g
	215 300 610 01	LED 24 connecting cable 1,0m	<ul style="list-style-type: none"> <li>up to max. 60W usable</li> <li>further information + lengths on page 232</li> </ul>	9 g
	215 300 625 01	LED 24 connecting cable 2,5m		22 g
	206 040 011 01	Transformer LED 24/ 15W DC 24V	<ul style="list-style-type: none"> <li>mains cable 2m with Euro plug</li> <li>12-way distributor</li> </ul>	167 g
	206 040 012 01	Transformer LED 24/ 30W DC 24V		330 g



# DYNAMIC SLIM-PAD F

Flat LED under cabinet luminaire with adjustable colour appearance



**Connection:** LED transformer DC 24 V  
**Life:** L70/B10 ≥ 60.000 hours  
**Energy efficiency:** LED: 105 lm/W; luminaire: **285 lm** (57 lm/W)  
**Colour rendering:** Ra/CRI > 85

Dynamic LED Slim-Pad F			
		xw	nw
0,5m	Ø 620	472 lx	504 lx
1,0m	Ø 1240	108 lx	126 lx
1,5m	Ø 1860	52 lx	56 lx
2,0m	Ø 2480	30 lx	32 lx
2,5m	Ø 3100	19 lx	20 lx

### Special features:

- colour appearance adjustable between 2700 K (xw) and 5000 K (cw)

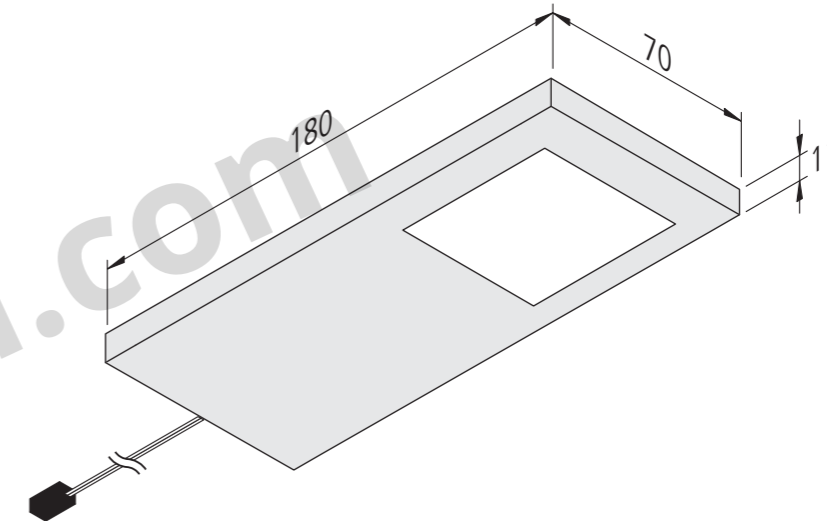


Illustration	Article No.	Description	Features	Weight approx.
	610 018 601 01	Dynamic LED Slim-Pad F 5W white	<ul style="list-style-type: none"> <li>• colour appearance adjustable between approx. 2700K and 5000K</li> <li>• supply cable 2,4m with Dynamic plug</li> </ul>	150 g
	610 018 601 03	Dynamic LED Slim-Pad F 5W black		150 g
	610 018 601 08	Dynamic LED Slim-Pad F 5W stainless steel		150 g
	610 531 301 08	set of 3 Dynamic LED Slim-Pad F 5W stainless steel	<ul style="list-style-type: none"> <li>• colour appearance adjustable between approx. 2700K and 5000K</li> <li>• incl. surface mounted remote control and transformer 30W</li> </ul>	805 g
	615 000 505 32	24V Dynamic-Controller radio 75W incl. 4 channel remote control black	<ul style="list-style-type: none"> <li>• as essential accessory</li> <li>• to adjust the colour, dim and switch</li> <li>• 12-way distributor</li> <li>• further Dynamic-controllers (e. g. BLE + DALI) page 237</li> </ul>	130 g
	615 000 505 31	24V Dynamic-Controller radio 75W incl. surface mounted remote control stainless steel look		105 g
	615 000 505 34	24V Dynamic-Controller radio 75W incl. recessed remote control stainless steel look		80 g
	215 350 610 01	Connecting cable Dynamic 1m	<ul style="list-style-type: none"> <li>• connection between distributor and luminaire</li> </ul>	16 g
	215 350 625 01	Connecting cable Dynamic 2,5m		40 g
	215 080 607 14	Dynamic 4-way distributor	<ul style="list-style-type: none"> <li>• cable 100mm with Dynamic plug</li> <li>• for 3 additional supply cables</li> </ul>	16 g
Accessories	LED transformers 24V from page 230 / DALI and BLE controller page 237			



# SLIM-PAD F

Flat LED under cabinet luminaire with homogeneous planar light



**Connection:** LED transformer DC 24 V  
**Life:** L70/B10 ≥ 60.000 hours  
**Energy efficiency:** LED 123 lm/W; luminaire: 330 lm (66 lm/W)  
**Colour rendering:** Ra/CRI > 90

LED Slim-Pad F		ww	nw
0,5m	Ø 620	472 lx	504 lx
1,0m	Ø 1240	118 lx	126 lx
1,5m	Ø 1860	52 lx	56 lx
2,0m	Ø 2480	30 lx	32 lx
2,5m	Ø 3100	19 lx	20 lx

### Special features:

- sets can be dimmed via IR dimmer incl. integrated orientation LED
- IR dimmer (to switch and dim) with memory function (after disconnection from the mains, the previous dimming status is restored)

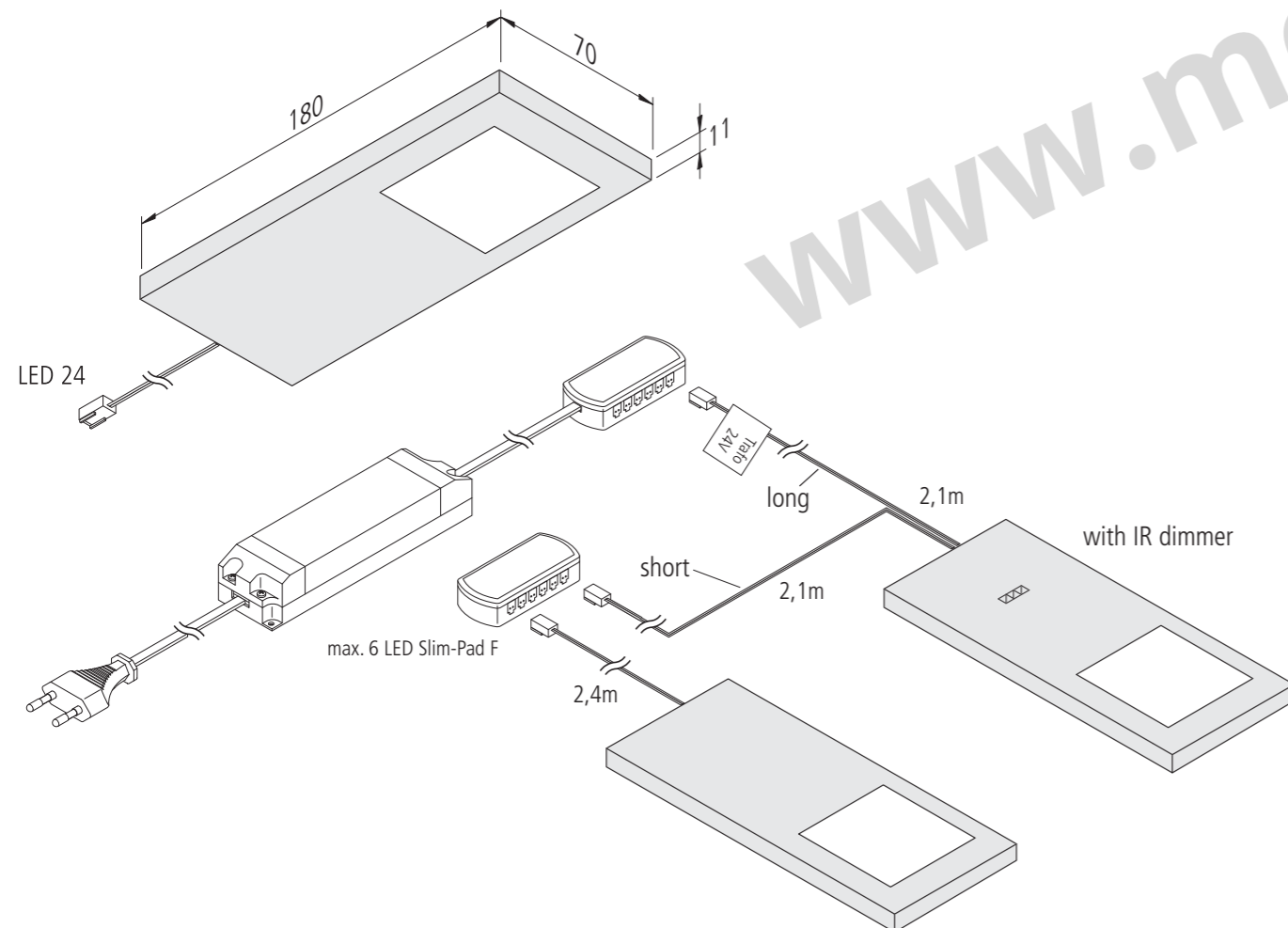


Illustration	Article No.	Description	Features	Weight approx.
	610 016 902 01	LED Slim-Pad F 5W ww white	<ul style="list-style-type: none"> <li>• colour appearance ww (warm white) approx. 3000K</li> <li>• supply cable 2,4m with LED 24 plug</li> </ul>	150 g
	610 016 902 03	LED Slim-Pad F 5W ww black		150 g
	610 016 902 08	LED Slim-Pad F 5W ww stainless steel		150 g
	610 016 903 01	LED Slim-Pad F 5W nw white	<ul style="list-style-type: none"> <li>• colour appearance nw (neutral white) approx. 4000K</li> <li>• supply cable 2,4m with LED 24 plug</li> </ul>	150 g
	610 016 903 03	LED Slim-Pad F 5W nw black		150 g
	610 016 903 08	LED Slim-Pad F 5W nw stainless steel		150 g
	610 016 912 01	LED Slim-Pad F 5W ww white with dimmer	<ul style="list-style-type: none"> <li>• colour appearance ww (warm white) approx. 3000K</li> <li>• supply cable 2,4m with LED 24 plug</li> <li>• incl. touchless IR dimmer and orientation LED</li> </ul>	200 g
	610 016 912 03	LED Slim-Pad F 5W ww black with dimmer		200 g
	610 016 912 08	LED Slim-Pad F 5W ww stainless steel with dimmer		200 g
	610 016 913 01	LED Slim-Pad F 5W nw white with dimmer	<ul style="list-style-type: none"> <li>• colour appearance nw (neutral white) approx. 4000K</li> <li>• supply cable 2,4m with LED 24 plug</li> <li>• incl. touchless IR dimmer and orientation LED</li> </ul>	200 g
	610 016 913 03	LED Slim-Pad F 5W nw black with dimmer		200 g
	610 016 913 08	LED Slim-Pad F 5W nw stainless steel with dimmer		200 g
	610 565 302 01	set of 3 LED Slim-Pad F 5W ww white with dimmer	<ul style="list-style-type: none"> <li>• colour appearance ww (warm white) approx. 3000K</li> <li>• supply cable 2,4m with LED 24 plug</li> <li>• incl. transformer 30W (up to 6 luminaires can be added)</li> <li>• incl. touchless IR dimmer and orientation LED</li> </ul>	750 g
	610 565 302 03	set of 3 LED Slim-Pad F 5W ww black with dimmer		750 g
	610 565 302 08	set of 3 LED Slim-Pad F 5W ww stainless steel with dimmer		750 g
	610 565 303 01	set of 3 LED Slim-Pad F 5W nw white with dimmer	<ul style="list-style-type: none"> <li>• colour appearance nw (neutral white) approx. 4000K</li> <li>• supply cable 2,4m with LED 24 plug</li> <li>• incl. transformer 30W (up to 6 luminaires can be added)</li> <li>• incl. touchless IR dimmer and orientation LED</li> </ul>	750 g
	610 565 303 03	set of 3 LED Slim-Pad F 5W nw black with dimmer		750 g
	610 565 303 08	set of 3 LED Slim-Pad F 5W nw stainless steel with dimmer		750 g
	215 300 610 01	LED 24 connecting cable 1,0m	<ul style="list-style-type: none"> <li>• up to max. 60W usable</li> <li>• further information + lengths on page 232</li> </ul>	9 g
	215 300 625 01	LED 24 connecting cable 2,5m		22 g
	206 040 011 01	Transformer LED 24/ 15W DC 24V	<ul style="list-style-type: none"> <li>• mains cable 2m with Euro plug</li> <li>• 12-way distributor</li> </ul>	167 g
	206 040 012 01	Transformer LED 24/ 30W DC 24V		330 g

Introduction

Power supply track system

Linear luminaires

Recessed and surface mounted luminaires

Showcase and over cabinet luminaires

Under cabinet luminaires

Accessories

Appendix



# L-PAD

Flat and powerful LED under cabinet luminaire



**Connection:** LED transformer DC 24 V  
**Life:** L70/B10 ≥ 60.000 hours  
**Energy efficiency:** LED 124 lm/W; luminaire: 480 lm (64 lm/W)  
**Colour rendering:** Ra/CRI > 93

LED L-Pad		
	ww / nw	
0,5m	Ø 620	776 lx
1,0m	Ø 1240	194 lx
1,5m	Ø 1860	86 lx
2,0m	Ø 2480	49 lx
2,5m	Ø 3100	31 lx

### Special features:

- sets can be dimmed via IR dimmer incl. integrated orientation LED
- IR dimmer (to switch and dim) with memory function (after disconnection from the mains, the previous dimming status is restored)

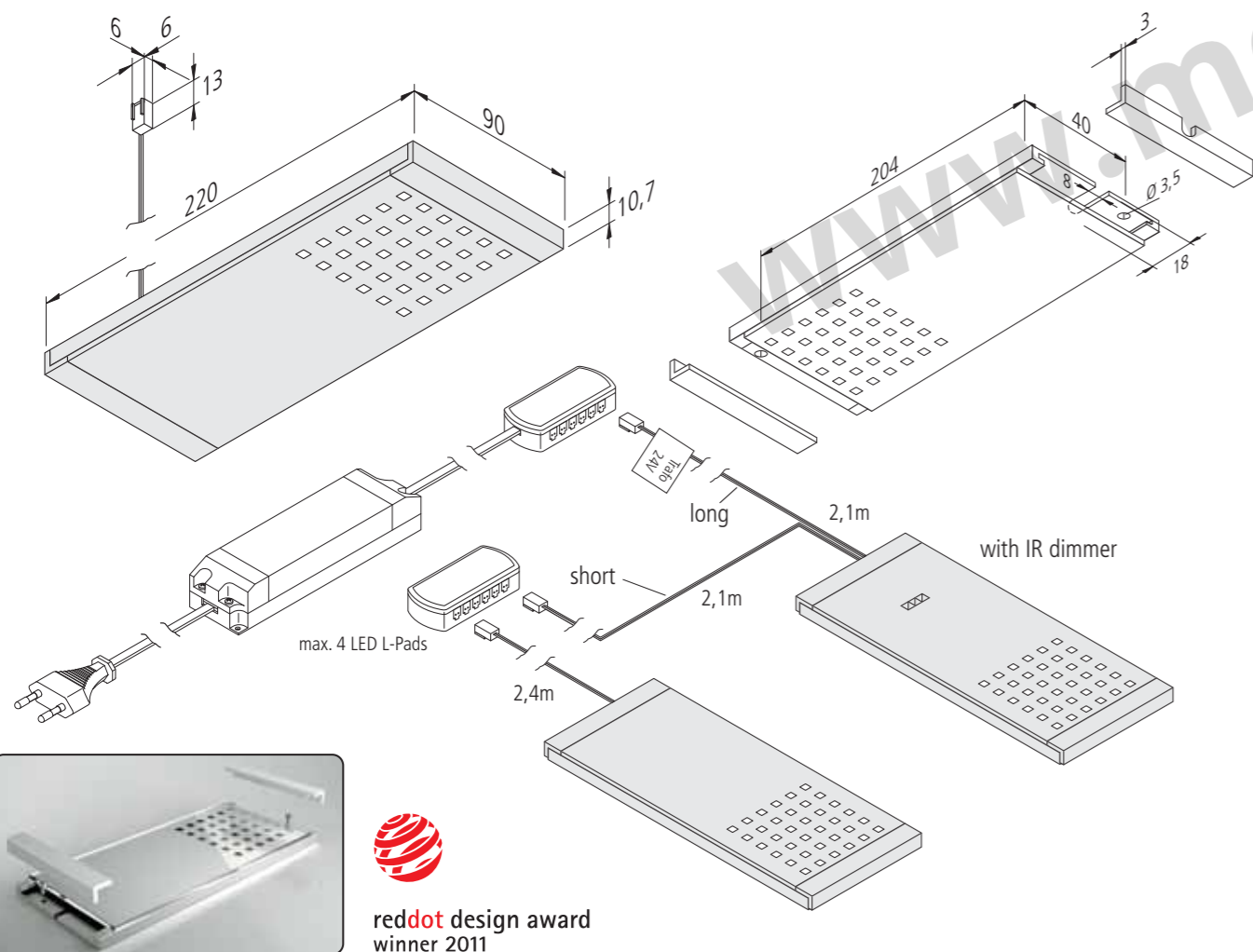


Illustration	Article No.	Description	Features	Weight approx.
	610 013 202 01	LED L-Pad 7,5W ww white	<ul style="list-style-type: none"> <li>• colour appearance ww (warm white) approx. 3000K</li> <li>• supply cable 2,4m with LED 24 plug</li> </ul>	310 g
	610 013 202 07	LED L-Pad 7,5W ww anodized aluminium		310 g
	610 013 202 08	LED L-Pad 7,5W ww stainless steel look		310 g
	610 551 202 01	set of 2 LED L-Pad 7,5W ww white with dimmer	<ul style="list-style-type: none"> <li>• colour appearance ww (warm white) approx. 3000K</li> <li>• supply cable 2,4m with LED 24 plug</li> <li>• incl. transformer 30W (up to 4 luminaires can be added)</li> <li>• incl. touchless IR dimmer and orientation LED</li> </ul>	930 g
	610 551 202 07	set of 2 LED L-Pad 7,5W ww anodized aluminium with dimmer		930 g
	610 551 202 08	set of 2 LED L-Pad 7,5W ww stainless steel with dimmer		930 g
	610 551 402 01	set of 4 LED L-Pad 7,5W ww white with dimmer	<ul style="list-style-type: none"> <li>• colour appearance ww (warm white) approx. 3000K</li> <li>• supply cable 2,4m with LED 24 plug</li> <li>• incl. transformer 30W</li> <li>• incl. touchless IR dimmer and orientation LED</li> </ul>	1550 g
	610 551 402 07	set of 4 LED L-Pad 7,5W ww anodized aluminium with dimmer		1550 g
	610 551 402 08	set of 4 LED L-Pad 7,5W ww stainless steel with dimmer		1550 g
	215 300 610 01	LED 24 connecting cable 1,0m	<ul style="list-style-type: none"> <li>• up to max. 60W usable</li> <li>• further information + lengths on page 232</li> </ul>	9 g
	215 300 625 01	LED 24 connecting cable 2,5m		22 g
	206 040 011 01	Transformer LED 24/ 15W DC 24V	<ul style="list-style-type: none"> <li>• mains cable 2m with Euro plug</li> <li>• 12-way distributor</li> </ul>	167 g
	206 040 012 01	Transformer LED 24/ 30W DC 24V		330 g
	206 040 019 01	Transformer LED 24/ 75W DC 24V		460 g

Introduction

Power supply track system

Linear luminaires

Recessed and surface mounted luminaires

Showcase and over cabinet luminaires

Under cabinet luminaires

Accessories

Appendix

<sup>1)</sup> version on request





# UL 2-LED F

Triangular LED under cabinet luminaire in stainless steel with planar light



**Connection:** LED transformer DC 24 V  
**Life:** L70/B10 ≥ 54.000 hours  
**Energy efficiency:** LED: 113 lm/W; luminaire: **210 lm** (70 lm/W)  
**Colour rendering:** Ra/CRI > 93

UL 2-LED F		ww	nw
0,5m	Ø 620	320 lx	340 lx
1,0m	Ø 1240	80 lx	85 lx
1,5m	Ø 1860	36 lx	38 lx
2,0m	Ø 2480	20 lx	21 lx
2,5m	Ø 3100	13 lx	14 lx

### Special features:

- housing of brushed stainless steel
- electronic contact switch EBS 4 as accessory
- no visible luminous spots

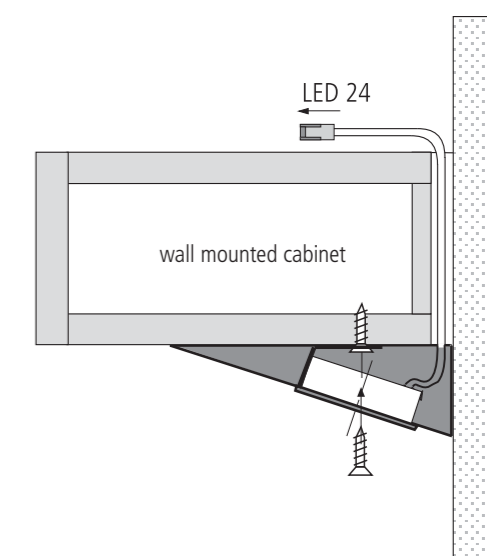
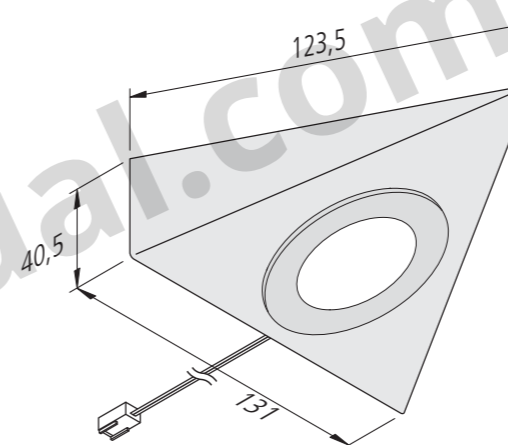


Illustration	Article No.	Description	Features	Weight approx.
	610 014 610 02	UL 2-LED F 3W ww stainless steel	<ul style="list-style-type: none"> <li>• colour appearance ww (<b>warm white</b>) approx. 3000K or nw (<b>neutral white</b>) approx. 4000K</li> <li>• supply cable 2,4m with LED 24 plug</li> </ul>	175 g
	610 014 610 03	UL 2-LED F 3W nw stainless steel		175 g
	610 559 311 02	set of 3 UL 2-LED F 3W ww stainless steel	<ul style="list-style-type: none"> <li>• colour appearance ww (<b>warm white</b>) approx. 3000K or nw (<b>neutral white</b>) approx. 4000K</li> <li>• incl. transformer 15W (up to 5 luminaires can be added)</li> </ul>	695 g
	610 559 311 03	set of 3 UL 2-LED F 3W nw stainless steel		695 g
	610 559 312 02	set of 3 UL 2-LED F 3W ww stainless steel with switch	<ul style="list-style-type: none"> <li>• colour appearance ww (<b>warm white</b>) approx. 3000K or nw (<b>neutral white</b>) approx. 4000K</li> <li>• incl. transformer 15W (up to 5 luminaires can be added) and and EBS 4</li> </ul>	845 g
	610 559 312 03	set of 3 UL 2-LED F 3W nw stainless steel with switch		845 g
	506 110 301 01	EBS 4 D with sensor cable 2m and ring terminal M4	<ul style="list-style-type: none"> <li>• 1m Euro plug / 0,3m Euro coupling</li> </ul>	150 g
	215 300 610 01	LED 24 connecting cable 1,0m	<ul style="list-style-type: none"> <li>• up to max. 60W usable</li> <li>• further information + lengths on page 250</li> </ul>	9 g
	215 300 625 01	LED 24 connecting cable 2,5m		22 g
	206 040 011 01	Transformer LED 24/ 15W DC 24V	<ul style="list-style-type: none"> <li>• mains cable 2m with Euro plug</li> <li>• 12-way distributor</li> </ul>	167 g

# SIL-LED 2

## LED interior cabinet luminaire



**Connection:** LED transformer DC 24 V  
**Life:** L70/B10 ≥ 50.000 hours  
**Energy efficiency:** LED: 140 lm/W; luminaire: **330 lm/m** (83 lm/W)  
**Colour rendering:** Ra/CRI > 80

SIL-LED 2			
	110°	567mm	
0,5m	Ø 610		268 lx
1,0m	Ø 1220		67 lx
1,5m	Ø 1830		30 lx
2,0m	Ø 2440		17 lx
2,5m	Ø 3050		11 lx

### Special features:

- integrated contactless sensor switch, with „Soft On“ and „Soft Off“
- mounting clip for lateral attachment included in drawers

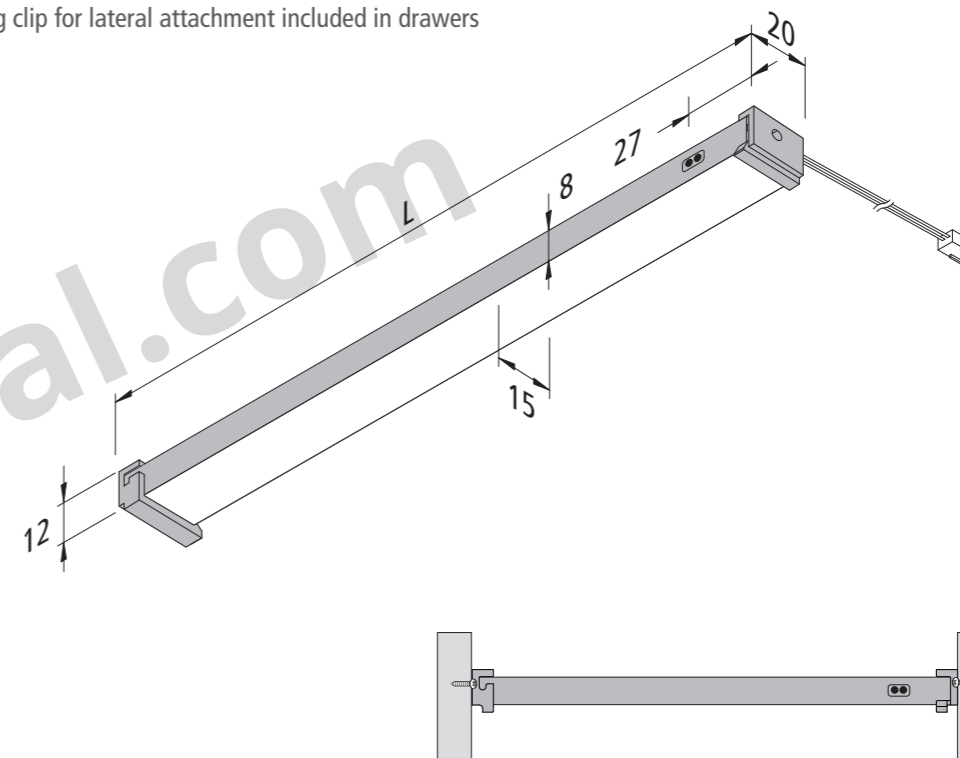


Illustration	Article No.	Description	Features	Weight approx.
	610 012 131 01	SIL-LED 2 417mm 1,3W nw	<ul style="list-style-type: none"> <li>• for kitchen body 16mm</li> <li>• supply cable 2,5m with LED 24-plug</li> <li>• anodized aluminium</li> <li>• colour appearance nw (neutral weiß) approx. 4000K</li> <li>• incl. 500mm self adhesive cable duct</li> <li>• incl. mounting clip for lateral attachment in drawers</li> </ul>	240 g
	610 012 132 01	SIL-LED 2 467mm 1,7W nw		250 g
	610 012 133 01	SIL-LED 2 567mm 2,1W nw		280 g
	610 012 134 01	SIL-LED 2 767mm 2,9W nw		410 g
	610 012 135 01	SIL-LED 2 867mm 3,4W nw		435 g
	610 012 136 01	SIL-LED 2 967mm 3,8W nw		450 g
	610 012 137 01	SIL-LED 2 1167mm 4,7W nw		560 g
	610 012 141 01	SIL-LED 2 411mm 1,3W nw		250 g
	610 012 142 01	SIL-LED 2 461mm 1,7W nw		250 g
	610 012 143 01	SIL-LED 2 561mm 2,1W nw		280 g
	610 012 144 01	SIL-LED 2 761mm 2,9W nw		410 g
	610 012 145 01	SIL-LED 2 861mm 3,4W nw		435 g
	610 012 146 01	SIL-LED 2 961mm 3,8W nw		450 g
	610 012 147 01	SIL-LED 2 1161mm 4,7W nw		560 g
	206 040 011 01	Transformer LED 24/ 15W DC 24V	<ul style="list-style-type: none"> <li>• mains cable 2m with Euro plug</li> <li>• 12-way distributor</li> </ul>	167 g

# ACCESSORIES

Transformers, controllers, switches or connection systems are the fundamental technical elements for a flawless functioning.

# LED 24 transformer

Electronic safety transformer for 24 V DC LED



LED 24/30 W

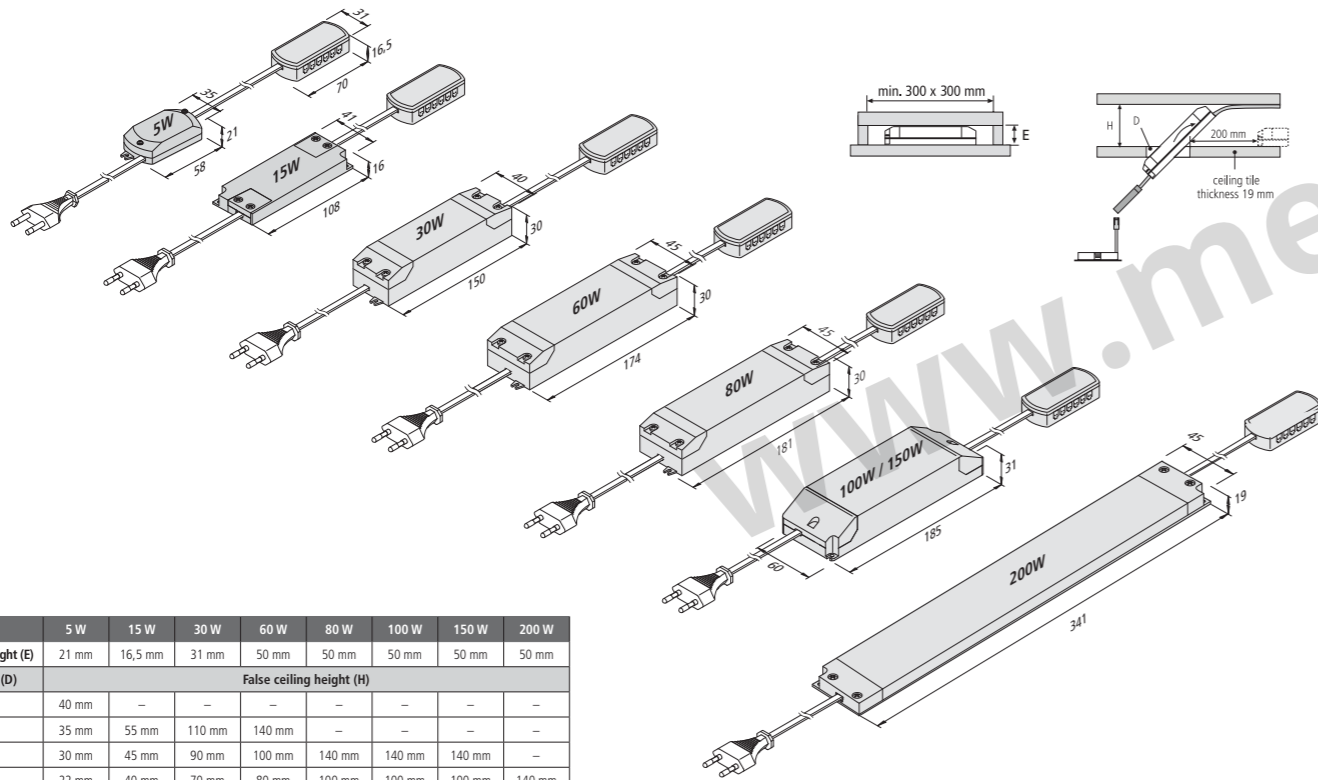


LED 24/100 W



**Connection:** 220 – 240 V / 0 – 50/60 Hz

- Other:**
- constant 24 V DC
  - protected against short-circuit, overload and no-load
  - max. length of secondary cables: **5 m** each



	5 W	15 W	30 W	60 W	80 W	100 W	150 W	200 W
Installation height (E)	21 mm	16,5 mm	31 mm	50 mm	50 mm	50 mm	50 mm	50 mm
Ceiling cavity (D)	False ceiling height (H)							
ø 45 mm	40 mm	-	-	-	-	-	-	-
ø 55 mm	35 mm	55 mm	110 mm	140 mm	-	-	-	-
ø 68 mm	30 mm	45 mm	90 mm	100 mm	140 mm	140 mm	140 mm	-
ø 78 mm	22 mm	40 mm	70 mm	80 mm	100 mm	100 mm	100 mm	140 mm

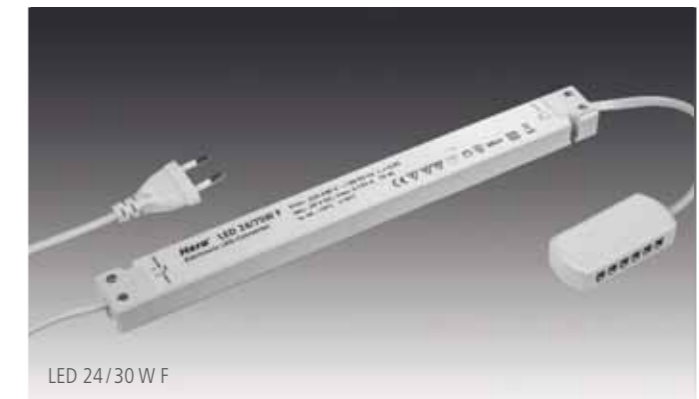
Article No.	Description	Features	Weight approx.
206 040 023 01	Transformer LED 24/ 5W DC 24V	<ul style="list-style-type: none"> <li>• mains cable 2m with Euro plug</li> <li>• 12-way distributor</li> </ul>	160 g
206 040 011 01	Transformer LED 24/ 15W DC 24V		167 g
206 040 012 01	Transformer LED 24/ 30W DC 24V <sup>1)</sup>		330 g
206 040 031 01	Transformer LED 24/ 60W DC 24V		375 g
206 040 056 01	Transformer LED 24/ 80W DC 24V <b>NEW</b>		350 g
206 040 033 01	Transformer LED 24/100W DC 24V		460 g
206 040 040 01	Transformer LED 24/150W DC 24V		544 g
206 040 030 02	Transformer LED 24/200W DC 24V		611 g
206 040 024 11	Transformer LED PS24V/30/S 30W DC 24V USA <sup>2)</sup>	<ul style="list-style-type: none"> <li>• mains cable 2m with US plug</li> <li>• technical information under: <a href="http://www.heralighting.com">www.heralighting.com</a></li> </ul>	290 g
206 040 024 12	Transformer LED PS24V/75/S 75W DC 24V USA <sup>2)</sup>		420 g

# LED 24 transformer

Flat, electronic safety transformer for 24 V DC LED



LED 24/75 W F

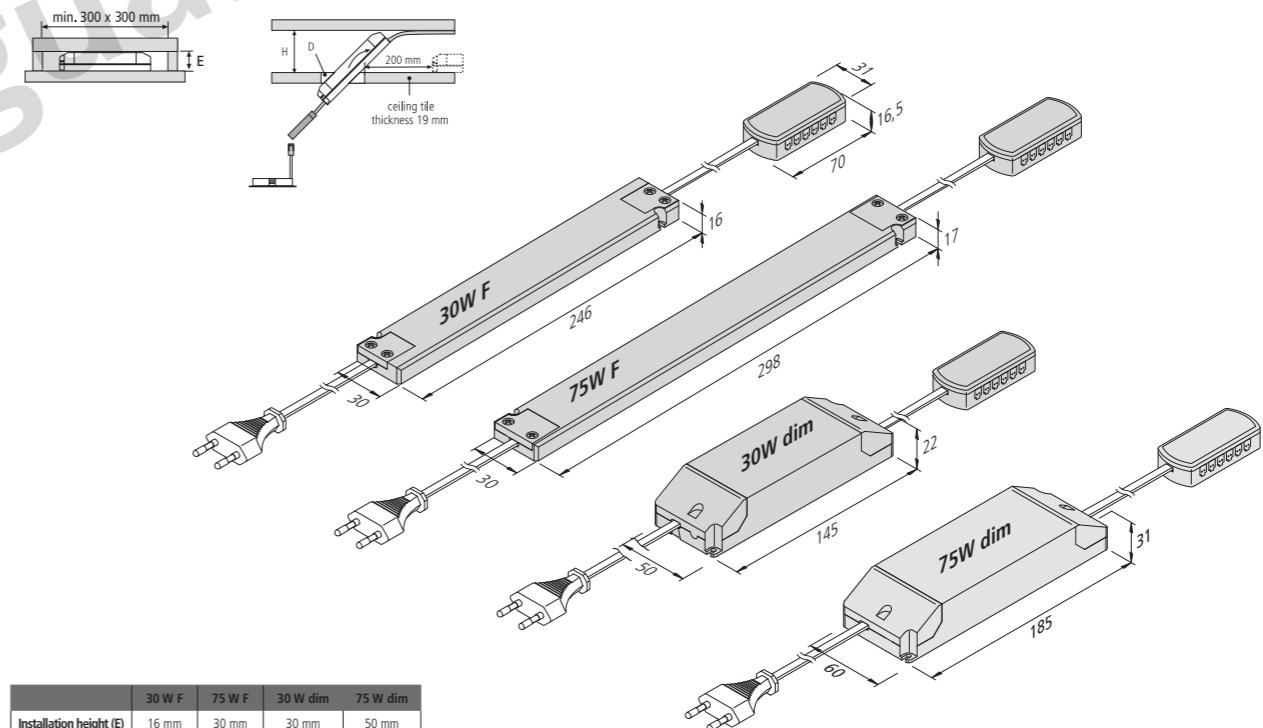


LED 24/30 W F



**Connection:** 220 – 240 V / 0 – 50/60 Hz

- Other:**
- constant 24 V DC
  - protected against short-circuit, overload and no-load
  - max. length of secondary cables: **5 m** each



	30 W F	75 W F	30 W dim	75 W dim
Installation height (E)	16 mm	30 mm	30 mm	50 mm
Ceiling cavity (D)	False ceiling height (H)			
ø 45 mm	-	-	-	-
ø 55 mm	-	-	110 mm	-
ø 68 mm	-	-	68 mm	140 mm
ø 78 mm	-	-	54 mm	100 mm

Article No.	Description	Features	Weight approx.
206 040 026 05	Transformer LED 24/ 30W F DC 24V	<ul style="list-style-type: none"> <li>• mains cable 2m with Euro plug</li> <li>• 12-way distributor</li> </ul>	250 g
206 040 038 01	Transformer LED 24/ 75W F DC 24V		280 g
206 040 012 22	Transformer LED 24/ 30W dimmable DC 24V	<ul style="list-style-type: none"> <li>• 30W: none / 75W: 30W minimum load necessary</li> <li>• recommended trailing edge dimmer: Busch-Jaeger 6523U, Gira 5400 00, JUNG 1224 LED UDE or JUNG 1730DD</li> <li>• dim range: 5 - 100%</li> </ul>	335 g
206 040 019 31	Transformer LED 24/ 75W dimmable DC 24V		335 g



**Connection:** 24 V DC / for luminaires with LED 24 plug

- Other:**
- for constant voltage (reverse polarity protected)
  - output: max. 60 W
  - plug only 7,9 mm in diameter (fits through 8 mm drill hole)
  - plug for connecting cable only 8,5 mm in diameter (fits through 9 mm drill hole)
  - cable 2 x 0,34 mm<sup>2</sup>

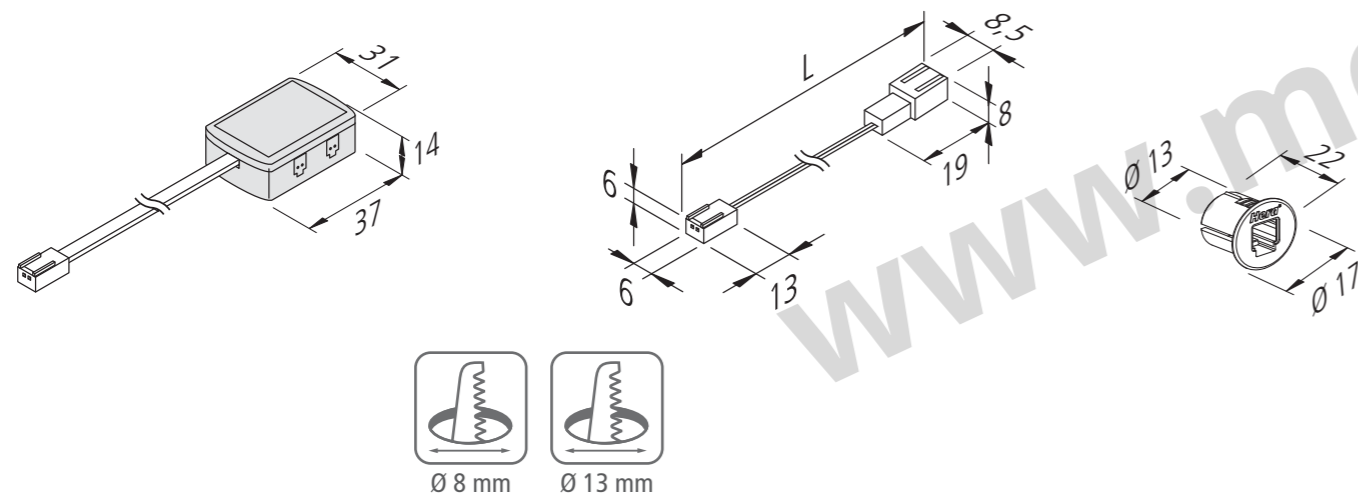


Illustration	Article No.	Description	Features	Weight approx.
	215 300 601 02	LED 24 connecting cable 0,1m	<ul style="list-style-type: none"> <li>• up to max. 60W usable</li> <li>• further information on page 250</li> </ul>	3 g
	215 300 605 01	LED 24 connecting cable 0,5m		5 g
	215 300 610 01	LED 24 connecting cable 1,0m		9 g
	215 300 625 01	LED 24 connecting cable 2,5m		22 g
	215 300 001 01	LED 24 mounting socket for wood	<ul style="list-style-type: none"> <li>• to accommodate the socket of a connecting cable</li> <li>• for wood from 10mm with 13mm cut-out</li> </ul>	1 g
	215 080 607 06	LED 24 4-way distributor	<ul style="list-style-type: none"> <li>• cable 2,5m with LED 24 plug</li> <li>• up to max. 60W usable</li> </ul>	32 g



**Connection:** 230 – 240 V / 50 – 60 Hz

- Other:**
- a slight touch on the sensor surface activates the switch
  - suitable for switching one LED transformer type LED 24/5W – LED 24/60W
  - the EBS is connected on the primary side between transformer and socket; the sensor cable is connected to the sensor surface; please ensure that the sensor surface is insulated against conductive parts
  - not suitable for fluorescent luminaires
  - no memory function (luminaires are off after disconnection from mains)

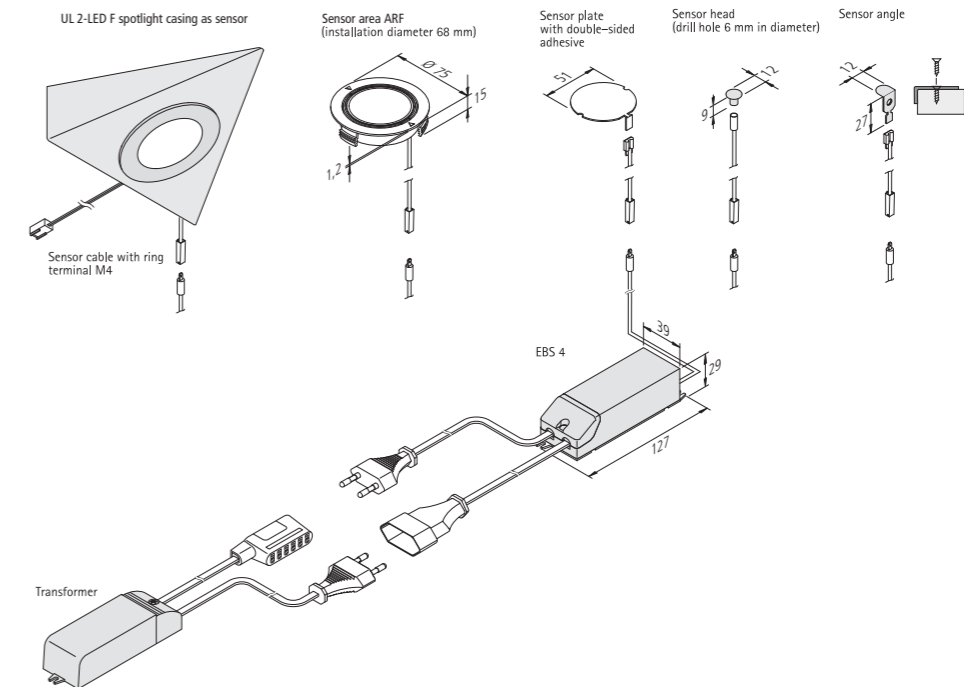
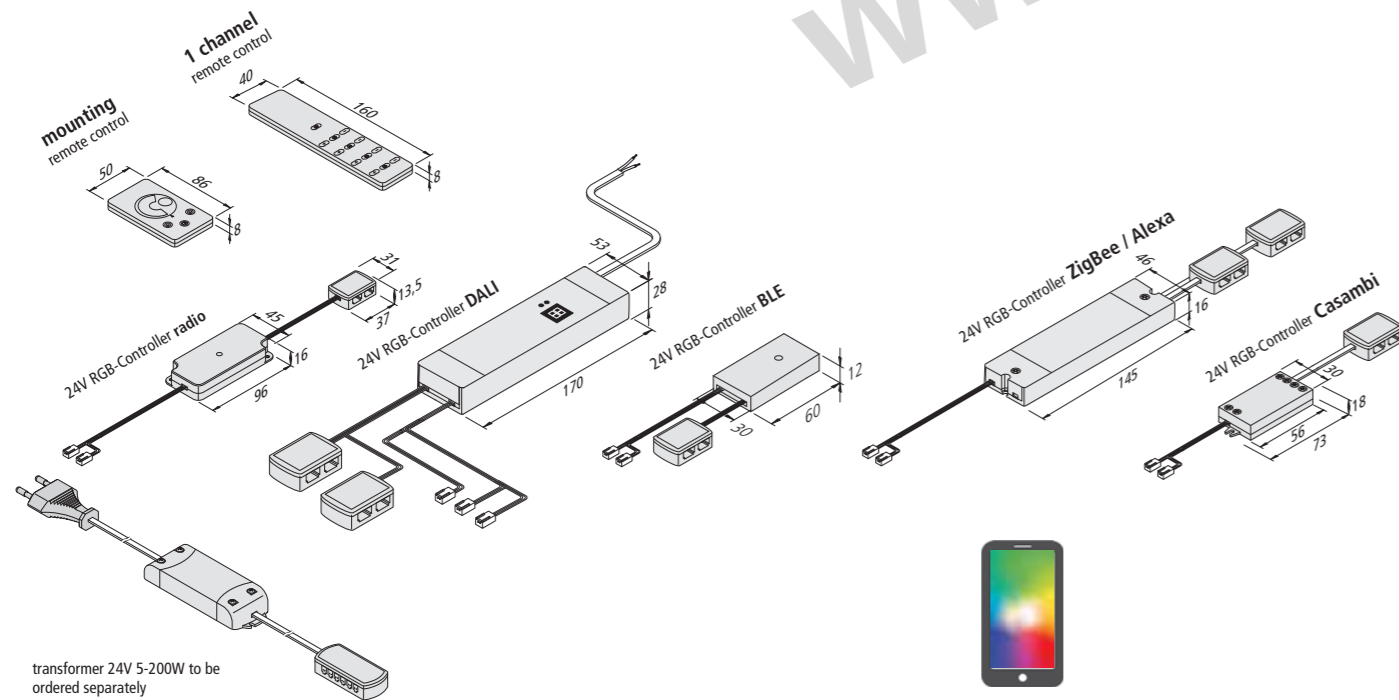


Illustration	Article No.	Description	Features	Weight approx.
	506 110 303 11	EBS 4 D with sensor cable 2m and ring terminal M4	• 1m with ferrules / 1m with ferrules	150 g
	506 110 301 01	EBS 4 D with sensor cable 2m and ring terminal M4	• 1m Euro plug / 0,3m Euro coupling	150 g
	506 110 302 01	EBS 4 D with sensor cable 2m and sensor head 12mm matt chrome		150 g
	506 110 301 02	EBS 4 D without sensor cable		125 g
	214 021 001 31	Ring terminal M4 for UL1	• incl. sensor cable 2m	25 g
	515 000 410 26	Sensor head 12mm matt chrome		30 g
	515 000 410 38	Sensor angle 12mm stainless steel		30 g
	506 111 100 08	Sensor plate 51mm stainless steel		45 g
	506 110 700 16	Sensor surface ARF stainless steel		60 g

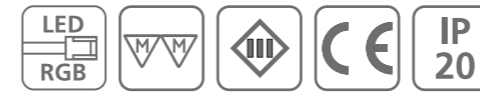


Creates fantastic lighting moods



## LED 24V RGB-Controller

To control the colour appearance (red, green, blue, multicolour)



- Connection:** 24 V DC / for RGB luminaires with RGB plug  
**Other:**
- easy plug-in connection for new or existing installations
  - with memory function (after disconnection from the mains, the previous colour and dimming status is restored)

### Radio remote controls for dimming, switching and colour setting

- dimmable in four steps / with wall mounting (operating distance 15 m / less for walls and ceilings)
- colours freely adjustable with colour board / automatic lock-out of the colour board after 1 min.
- 7 colours alternately 8, 16, 32, 64 and 128 sec. adjustable
- gently fading colour flow 8, 16, 32, 64 and 128 sec. adjustable
- multiple radio controllers can be activated simultaneously using one remote control

### DALI controller

- for connection to complex controls or bus systems

### BLE Controller (Bluetooth Low Energy)

- controllable via any iOS or Android smartphone or tablet (with free Meshle app)
- Indoor range up to 15m (Mesh network)
- freely programmable scenes
- very easy installation due to plug & play components and plug-in systems
- can be used individually as a stand-alone control
- up to 30 controllers automatically connect to each other and can be controlled via Bluetooth in the app
- incl. timer function (individual switch-on and switch-off times)

Article No.	Description	Features	Weight approx.
615 000 505 44	24V RGB-Controller radio 75W with 1 channel remote control black	<ul style="list-style-type: none"> <li>• as a necessary accessory</li> <li>• for RGB, dim and switch</li> <li>• with 4-way distributor</li> </ul>	130 g
615 000 505 45	24V RGB-Controller radio 75W with 4-way distributor with surface mounted remote control black		105 g
615 000 505 41	24V RGB-Controller radio 75W with surface mounted remote control stainless steel look		105 g
208 050 030 22	24V RGB-Controller radio 75W without remote control (only as extension)		65 g
615 000 505 43	24V RGB-Controller DALI 120W with 2x4-way distributor	<ul style="list-style-type: none"> <li>• dim control cable 0,3m with ferrules</li> <li>• to adjust the colour, dim and switch RGB luminaires</li> </ul>	115 g
208 050 054 01	24V RGB-Controller BLE 120W with 4-way distributor	NEW	70 g
615 000 522 21	24V RGB-Controller ZigBee / Alexa 96W with 2x4-way distributor	<ul style="list-style-type: none"> <li>• list of compatible systems see <a href="http://www.hera-online.de">www.hera-online.de</a></li> </ul>	60 g
615 000 516 21	24V RGB-Controller CASAMBI 75W with 4-way distributor		60 g
Accessories	LED transformers 24V from page 230		

BLE Controller expected to be available from June 2023



# LED 24V Dynamic-Controller

To adjust the colour appearance (from extra warm to cool white)



## Radio remote controls (operating distance 15 m / less for walls and ceilings)

- flush-mounted touch remote control for dimming, switching and colour setting with customary push button
- 4 channel remote control with master button and wall mounting combinable with dim controllers
- surface mounted remote control with wall mounting
- recessed remote control for wood with 35 mm cut-out, depth min. 12 mm incl. mounting housing stainless steel look or for use in standard sockets
- multiple radio controllers can be activated simultaneously using one remote control
- all controllers with „Soft Off“ and „Multicontrol“ (it is possible to program up to 7 remote controls to one controller)

## Dali controller

- for connection to complex controls or bus systems

## BLE Controller (Bluetooth Low Energy)

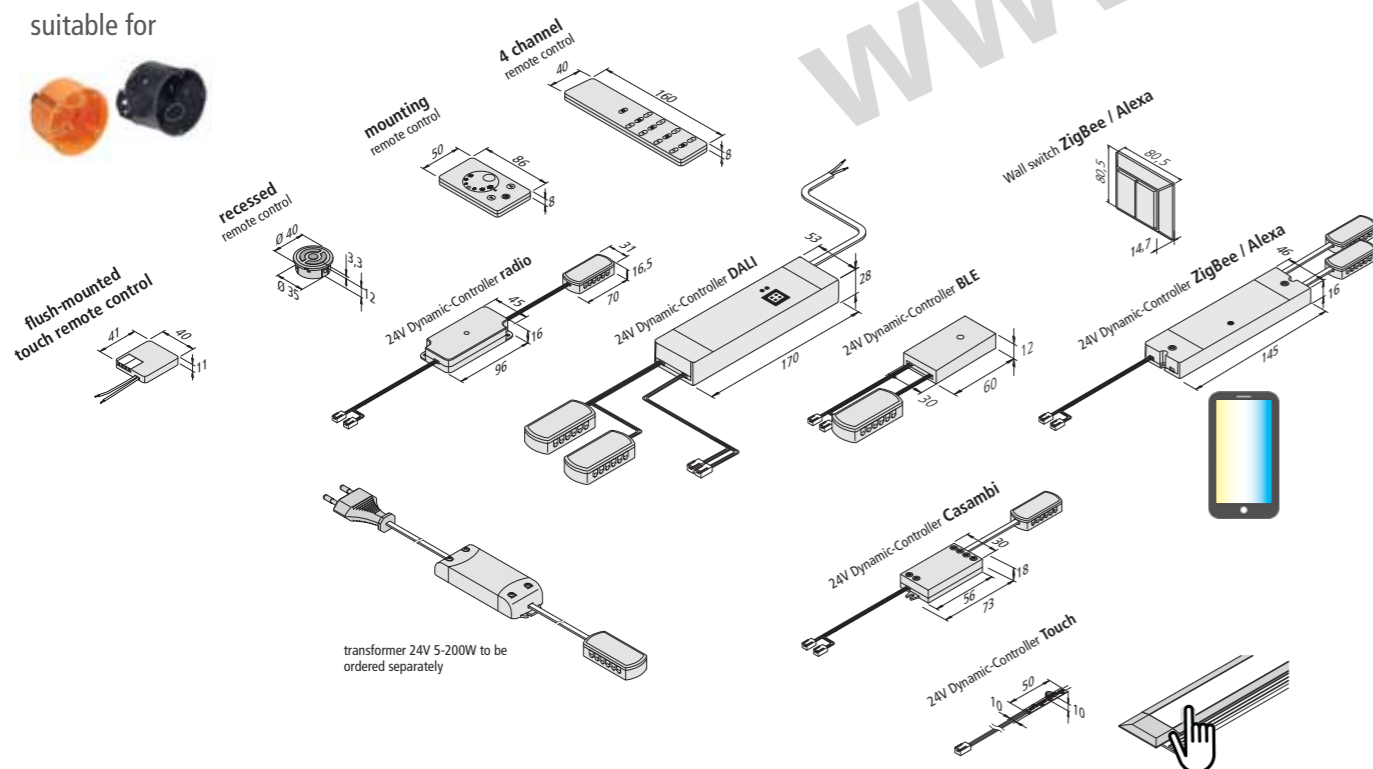
- controllable via any iOS or Android smartphone or tablet (with free Meshle app); Indoor range up to 15m (Mesh network)
- freely programmable scenes; very easy installation due to plug & play components and plug-in systems
- can be used individually as a stand-alone control; incl. timer function (individual switch-on and switch-off times)
- up to 30 controllers automatically connect to each other and can be controlled via Bluetooth in the app



**Connection:** 24 V DC / for Dynamic luminaires with Dynamic plug

- Other:**
- easy plug-in connection for new or existing installations
  - with memory function (after disconnection from the mains, the previous dimming status is restored)

suitable for



Article No.	Description	Features	Weight approx.
208 050 030 15	24V Dynamic-Controller radio 75W incl. flush-mounted touch-remote-control	• as essential accessory	85 g
615 000 505 32	24V Dynamic-Controller radio 75W incl. 4 channel remote control black	• to adjust the colour, dim and switch	130 g
615 000 505 29	24V Dynamic-Controller radio 75W incl. surface mounted remote control black	• 12-way distributor	105 g
615 000 505 31	24V Dynamic-Controller radio 75W incl. surface mounted remote control stainless steel look		105 g
615 000 505 30	24V Dynamic-Controller radio 75W with 4-way distributor incl. recessed remote control black		80 g
615 000 505 34	24V Dynamic-Controller radio 75W incl. recessed remote control stainless steel look		80 g
208 050 030 12	24V Dynamic-Controller radio 75W without remote control (only as extension to controllers incl. remote control)		65 g
208 050 020 51	Flush-mounted touch remote control to adjust the colour, dim and switch	• as extension to an existing controller	20 g
615 000 506 31	4 channel remote control black	• max. 7 different radio transmitters can be used with one controller	65 g
615 000 506 43	Surface mounted remote control Dynamic black	• each remote control can be parallel registered on random controller	40 g
615 000 506 41	Surface mounted remote control Dynamic stainless steel look		40 g
615 000 506 53	Recessed remote control Dynamic black		15 g
615 000 506 51	Recessed remote control Dynamic stainless steel look		15 g
615 000 505 33	24V Dynamic-Controller DALI 120W with 2x4-way distributor	• dim control cable 0,3m with ferrules	125 g
208 050 052 01	24V Dynamic-Controller BLE 120W with 12-way distributor	• to adjust the colour, dim and switch Dynamic luminaires	70 g
615 000 522 11	24V Dynamic-Controller ZigBee / Alexa 96W with 2x12-way distributor	• operating distance 15 m (Mesh network)	60 g
217 032 601 01	Wall switch Dynamic ZigBee / Alexa white	• list of compatible systems see www.hera-online.de	56 g
615 000 528 01	Wall switch Dynamic ZigBee / Alexa white+ Controller 96W	• RAL 9010 / for screwing or gluing	116 g
615 000 516 11	24V Dynamic-Controller CASAMBI 75W with 12-way distributor	• RAL 9010 / for screwing or gluing	60 g
208 050 050 11	24V Dynamic-Controller Touch 48W with 3 solder bridges	• app: www.casambi.com	25 g
Accessories	LED transformers 24V from page 230	• for selection in the configurator	

BLE Controller expected to be available from June 2023

<sup>1)</sup> radio versions only (surface mounting)

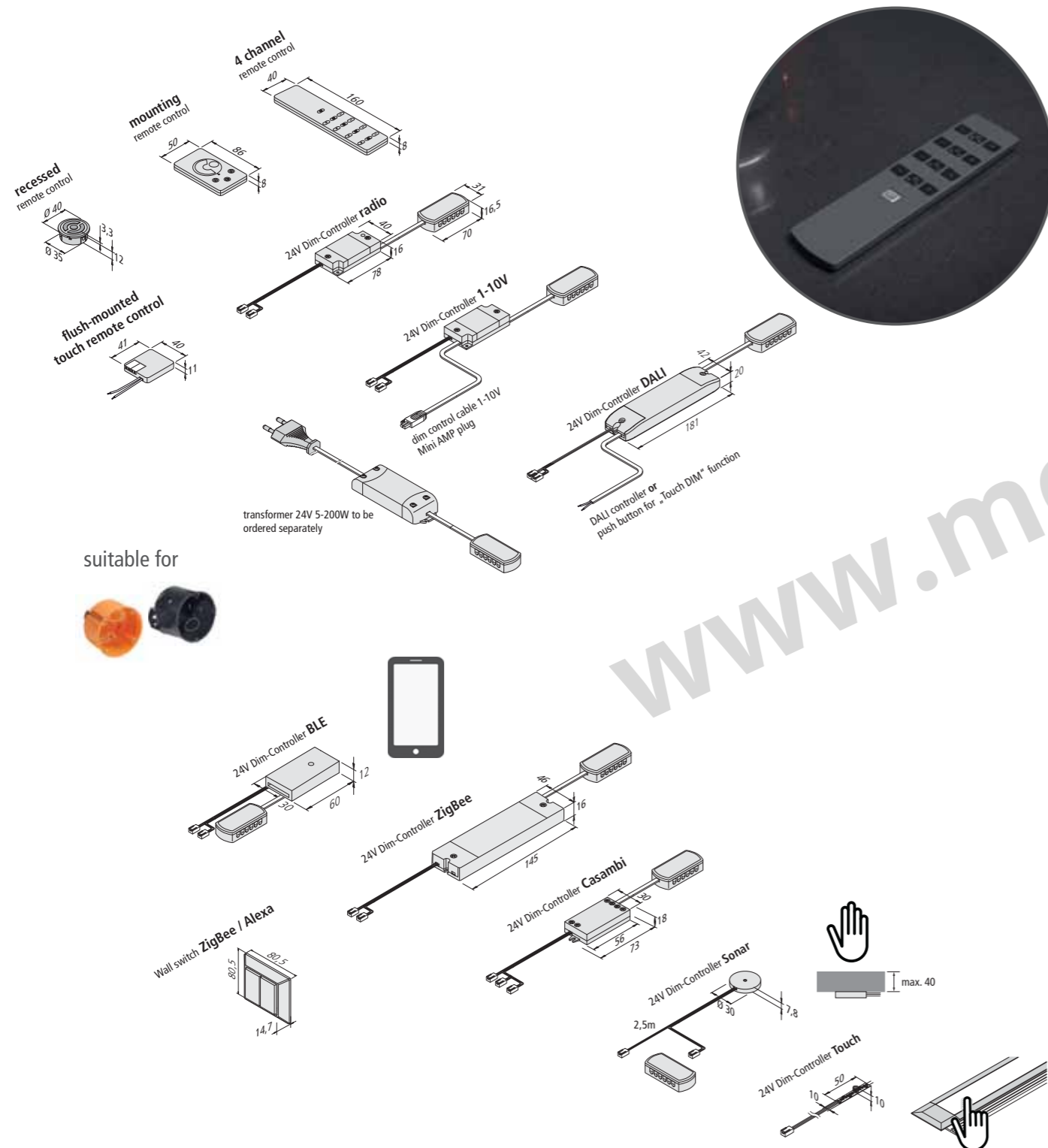
# LED 24V Dim-Controller

Dim-controller as optional accessory for 24 V transformers



**Connection:** 24 V DC / for luminaires with LED 24 plug

- Other:**
- easy plug-in connection for new or existing installations
  - with memory function (after disconnection from the mains, the previous dimming status is restored)



suitable for



# LED 24V Dim-Controller

Dim-controller as optional accessory for 24 V transformers



## Radio remote controls for dimming and switching

- flush-mounted touch remote control to dim and switch with customary push-button (operating distance 15m / less for walls and ceilings)
- 4 channel remote control with master button and wall mounting also combinable with Dynamic controllers
- surface mounted remote control with wall mounting
- recessed remote control for wood with 35 mm cut-out, depth min. 12 mm incl. mounting housing stainless steel look or for use in standard sockets
- multiple radio controllers can be activated simultaneously using one remote control or per channel
- all controllers with „Soft Off“ and „Multicontrol“ ( max. 7 different radio transmitters can be used with one controller)

## DALI controller for connection to complex controls or bus systems

## BLE Controller (Bluetooth Low Energy)

- controllable via any iOS or Android smartphone or tablet (with free Meshle app); Indoor range up to 15m (Mesh network)
- freely programmable scenes; very easy installation due to plug & play components and plug-in systems
- can be used individually as a stand-alone control; incl. timer function (individual switch-on and switch-off times)
- up to 30 controllers automatically connect to each other and can be controlled via Bluetooth in the app

## Sonar Controller for invisible switching and dimming behind wood, glass, stone or ceramics with a max. thickness of 40mm

Article No.	Description	Features	Weight approx.
208 050 030 06	24V Dim-Controller radio 80W incl. flush-mounted touch-remote-control	• to dim and switch • with 12-way distributor	85 g
615 000 505 26	24V Dim-Controller radio 80W incl. 4 channel remote control black		130 g
615 000 505 21	24V Dim-Controller radio 80W incl. surface mounted remote control black		105 g
615 000 505 23	24V Dim-Controller radio 80W incl. surface mounted remote control stainless steel look		105 g
615 000 505 22	24V Dim-Controller radio 80W incl. recessed remote control black		80 g
615 000 505 24	24V Dim-Controller radio 80W incl. recessed remote control stainless steel look		80 g
208 050 030 02	24V Dim-Controller radio 80W without remote control (only as extension for controllers incl. remote control)		65 g
208 050 020 51	Flush-mounted touch remote control to adjust the colour, dim and switch	• as extension to an existing controller • max. 7 different radio transmitters can be used with one controller • each remote control can be parallel registered on random controller	20 g
615 000 506 31	4 channel remote control black		65 g
615 000 506 03	Surface mounted remote control dim black		50 g
615 000 506 01	Surface mounted remote control dim stainless steel look		50 g
615 000 506 23	Recessed remote control dim black		15 g
615 000 506 21	Recessed remote control dim stainless steel look		15 g
208 050 030 01	24V Dim-Controller 1-10V 80W with 12-way distributor <sup>2)</sup>	• dim control cable 0,3m with Mini AMP-plug / dim current <1mA	80 g
615 000 505 11	24V Dim-Controller DALI 120W with 12-way distributor	• dim control cable 0,3m with ferrules	125 g
208 050 051 01	24V Dimm-Controller BLE 120W with 12-way distributor	• operating distance 15 m (Mesh network)	70 g
615 000 522 01	24V Dim-Controller ZigBee / Alexa 96W with 12-way distributor	• list of compatible systems see www.hera-online.de	80 g
217 032 501 01	Wall switch Dim ZigBee / Alexa white	• RAL 9010 / for screwing or gluing	56 g
615 000 527 01	Wall switch Dim ZigBee / Alexa white + Controller 96W	• RAL 9010 / for screwing or gluing	136 g
615 000 516 01	24V Dim-Controller CASAMBI 120W with 12-way distributor	• app: www.casambi.com	80 g
208 050 030 41	24V Dim-Controller Sonar 48W with 11-way distributor	• dim control cable 2,5m • incl. screw and adhesive plate	70 g
208 050 050 01	24V Dim-Controller Touch 60W with 2 solder bridges	• for selection in the configurator	25 g
Accessories	LED transformers 24V from page 230		

BLE Controller expected to be available from June 2023

<sup>1)</sup> only surface mounted and recessed remote control;

<sup>2)</sup> only one controller per transformer



# LED 350 accessories

Electronic safety transformers for LED luminaires 350 mA



LED 350/5 W

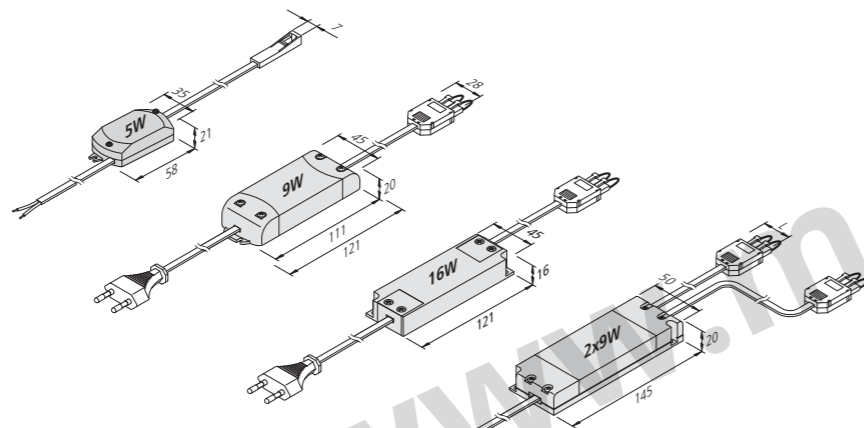
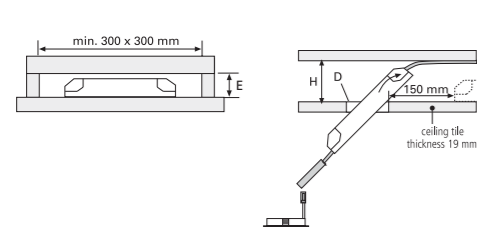


LED 350/2x9 W



**Connection:** 220 – 240 V / 50 – 60 Hz

- Other:**
- constant 350 mA / max. 56 V DC
  - protected against short-circuit, overload and no-load
  - max. permissible cable: **5 m** each



	5 W	9 W	16 W	2x9 W
Installation height (E)	21 mm	20 mm	16 mm	50 mm
Ceiling cavity (D)	False ceiling height (H)			
ø 45 mm	40 mm	-	-	-
ø 55 mm	35 mm	55 mm	125 mm	100 mm
ø 68 mm	30 mm	45 mm	85 mm	90 mm
ø 78 mm	22 mm	40 mm	70 mm	80 mm

Illustration	Article No.	Description	Features	Weight approx.
	215 250 610 01	LED 350 connecting cable 1m		12 g
	215 250 620 01	LED 350 connecting cable 2m		20 g
	215 080 503 04	LED 350 3-way distributor	• cable 200mm with LED 350 plug	25 g
	206 040 027 01	Transformer LED 350/5W with one socket	• mains cable 0,3m with ferrules (for easy ceiling suspension on 230V)	50 g
	615 003 022 03	Transformer LED 350/5W with 5-way distributor	• mains cable 2m with Euro plug • for up to 5 luminaires / 350mA = 1,0W	57 g
	615 003 009 03	Transformer LED 350/9W with 3-way distributor	• mains cable 2m with Euro plug	175 g
	615 003 009 04	Transformer LED 350/9W with 9-way distributor		190 g
	615 003 009 43	Transformer LED 350/16W with 3-way distributor		200 g
	615 003 009 45	Transformer LED 350/16W with 5-way distributor		210 g
	615 003 009 23	Transformer LED 350/2x9W 2x3-way distributor		220 g
	615 003 009 24	Transformer LED 350/2x9W 2x9-way distributor		250 g

# LED 350 accessories (Radio/Dim)

Dimmable safety transformers for LED luminaires 350 mA



LED 350/15 W DALI



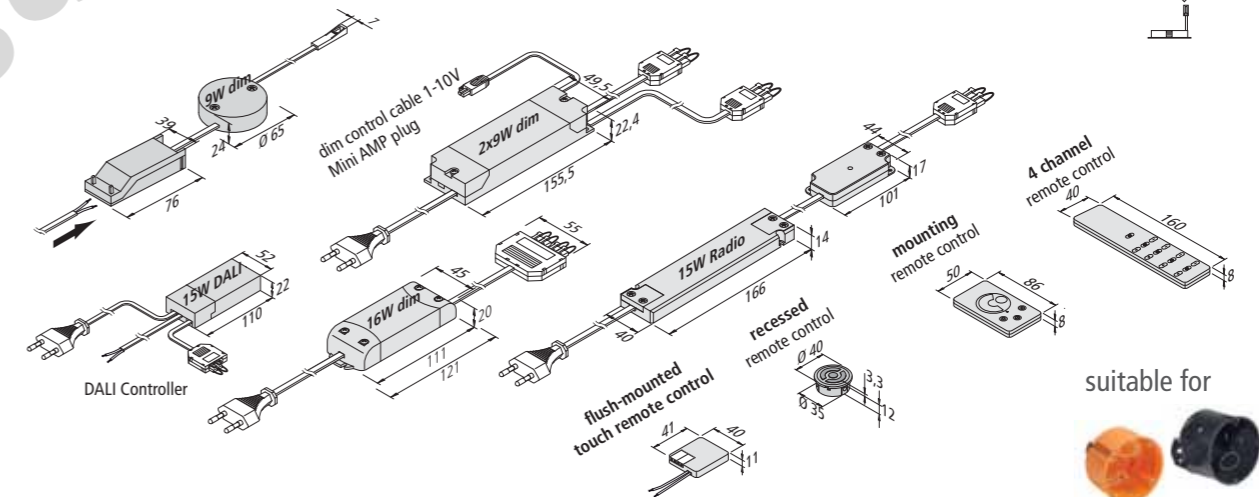
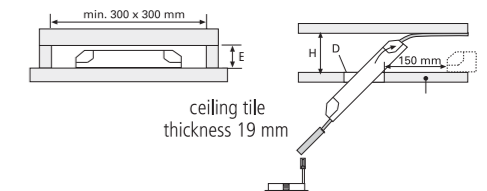
LED 350/15 W Funk



**Connection:** 220 – 240 V / 50 – 60 Hz

- Other:**
- constant 350 mA / max. 59 V DC
  - protected against short circuit, overload and no-load
  - max. permissible cable: **5 m** each
  - dim range: 10 – 100 %
  - dim range: 2 – 100 % (radio)
  - 4 channel remote control with master button and wall mounting, also combinable with 24 V and Dynamic controllers

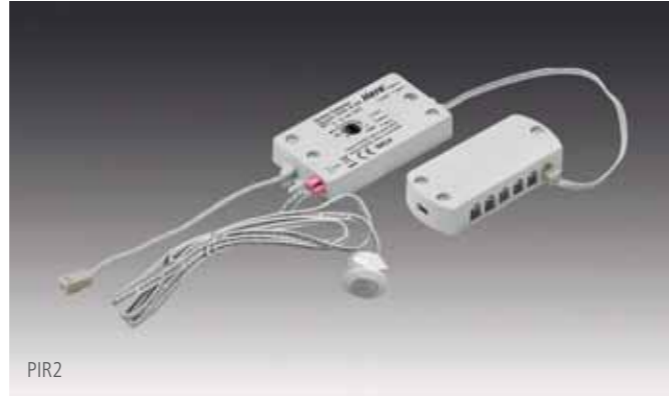
	15 W DALI	15 W Funk	16 W dim	2x9 W dim
Installation height (E)	22 mm	18 mm	25 mm	50 mm
Ceiling cavity (D)	False ceiling height (H)			
ø 45 mm	-	-	-	-
ø 55 mm	-	125 mm	110 mm	100 mm
ø 68 mm	55 mm	85 mm	80 mm	90 mm
ø 78 mm	40 mm	70 mm	65 mm	80 mm



Article No.	Description	Features	Weight approx.
615 003 017 05	Transformer LED 350/15W DALI with 3-way distributor	• mains cable 2m with Euro plug • dim control cable 0.2m with ferrules	270 g
615 003 017 06	Transformer LED 350/15W radio with 3-way distributor	• incl. flush-mounted touch remote control to dim and switch	270 g
615 003 017 01	Transformer LED 350/15W radio with 3-way distributor	• incl. 4-channel remote control to dim and switch	315 g
615 003 017 02	Transformer LED 350/15W radio with 3-way distributor	• incl. surface mounted remote control to dim and switch	290 g
615 003 017 03	Transformer LED 350/15W radio with 3-way distributor	• incl. recessed remote control to dim and switch	265 g
615 003 017 04	Transformer LED 350/15W radio with 3-way distributor		250 g
206 040 015 12	Transformer LED 350/ 9W dim with one socket	• incl. connection terminal for 230V with integrated through-wiring • minimum load: 1x SR 45 / SR68 (4,8W) / 1x Dim-2-Warm SR 68 / 5x LED Eye 1W • recommended phase dimmer: Sygonix 33594C or Jung 1730DD	240 g
615 003 009 50	Transformer LED 350/16W dim 5-way distributor + 4 short circuit plugs	• mains cable 2m with Euro plug • 9W minimum load • recommended phase dimmer: Sygonix 33594C or Jung 1730DD	240 g
615 003 009 28	Transformer LED 350/2x9W dim 2x 3-way distributor (1-10V)	• mains cable 2m with Euro plug	280 g
615 003 009 29	Transformer LED 350/2x9W dim 2 x 9-way distributor (1-10V)	• dim control cable 0.2m with Mini-AMP plug • dim current < 1mA	310 g

# Motion sensor

Mini motion sensor **with** twilight mode



**Connection:** PIR 1: 100 – 240 V / 50 – 60 Hz // PIR 2: 24 V DC

- Other:**
- adjustable follow-up time: 10 sec to 3 min.
  - the detector only responds to movement if the brightness falls below approx. 80 lux
  - PIR 1: to be connected on primary side between transformer and socket (max. 250 W)
  - PIR 2: to be connected on secondary side between LED 24 V transformer and LED 24 V luminaire (max. 60 W)
  - PIR 3: to be connected on secondary side between LED 24 V luminaire and LED 24 V transformer (max. 120 W).
- Up to 4 sensor heads can be programmed to ONE motion detector. Per sensor head up to 3 motion detectors can be used.  
Operating distance 15 m.

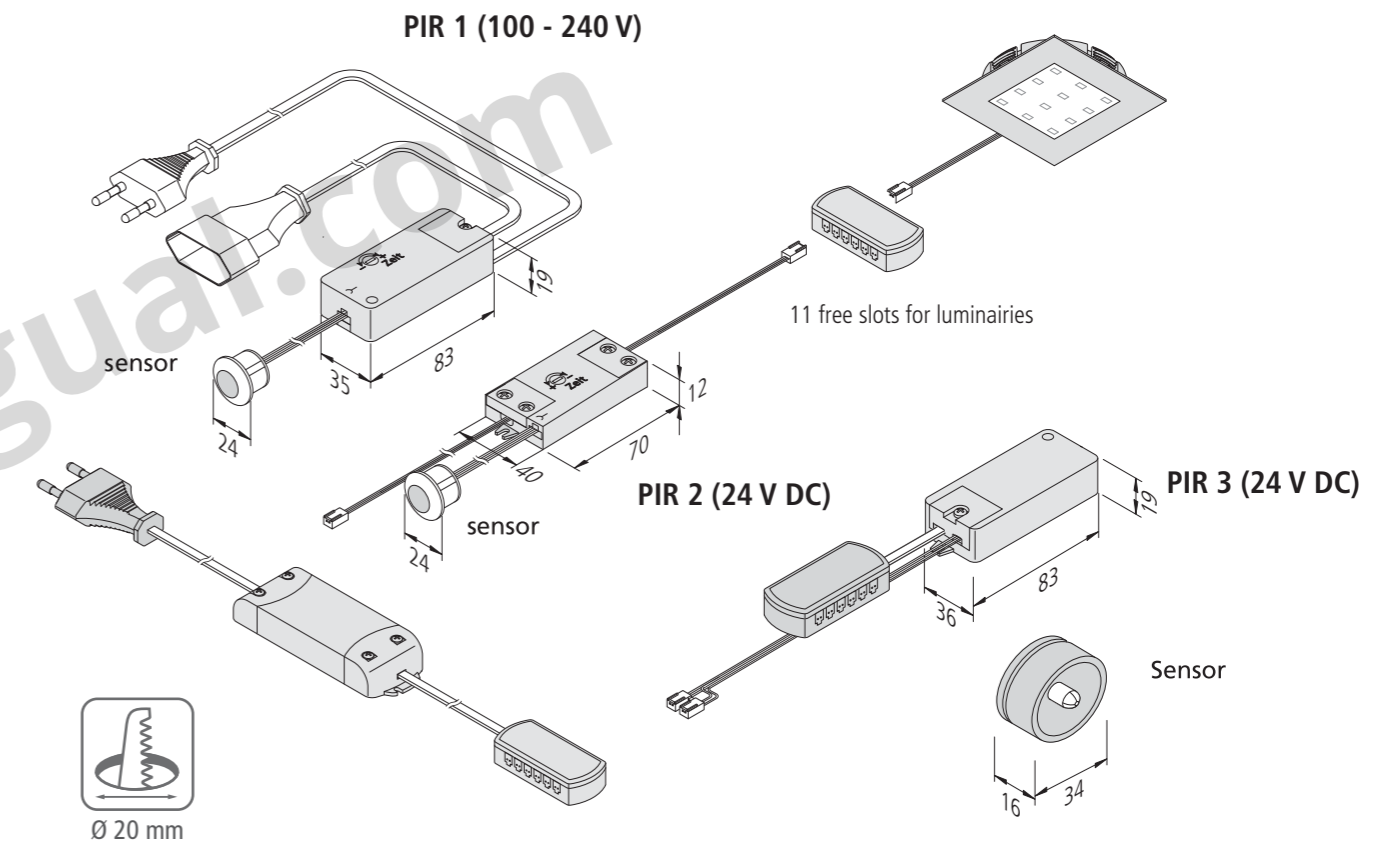
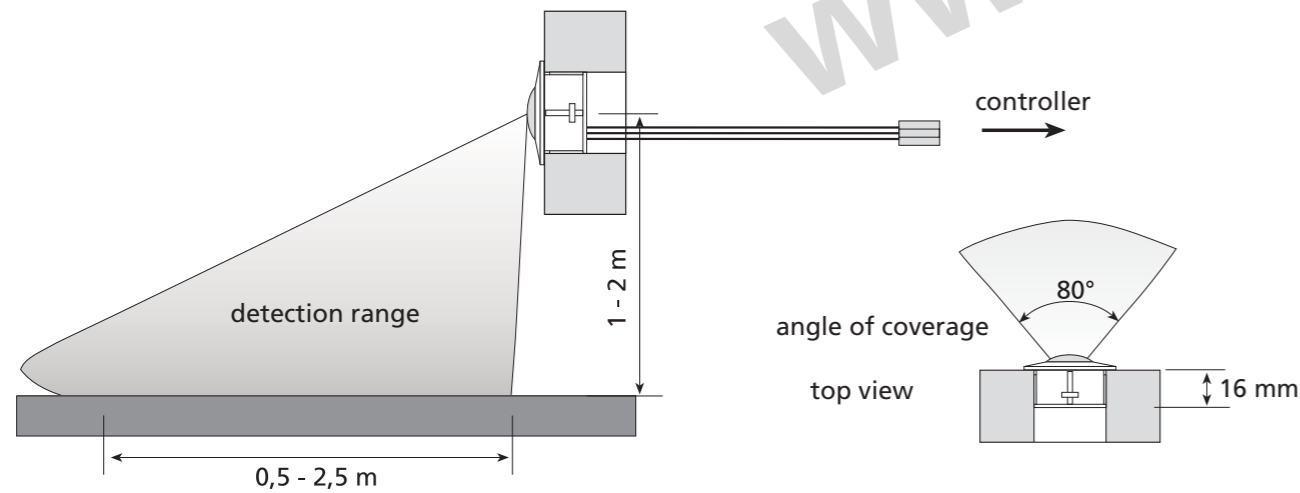


Illustration	Article No.	Description	Features	Weight approx.
	217 032 301 01	Mini Motion Sensor PIR 1	<ul style="list-style-type: none"> <li>• 2m Euro plug / 0,15m Euro coupling / sensor 1,4m</li> <li>• protection class 2</li> </ul>	170 g
	217 032 302 01	Mini Motion Sensor PIR 2	<ul style="list-style-type: none"> <li>• 0,2m LED 24 plug / 0,2m with 11-way distributor / sensor 1,4m</li> <li>• protection class 3</li> </ul>	70 g
	615 000 510 11	Mini Motion Sensor PIR 3	<ul style="list-style-type: none"> <li>• 0,2m LED 24-plug / 0,2m with 12-way distributor</li> <li>• incl. sensor head matt chrome with battery</li> <li>• protection class 3</li> </ul>	70 g
	208 700 700 11	Radio sensor head PIR 3 matt chrome	<ul style="list-style-type: none"> <li>• only as extension to mini motion sensor PIR 3</li> <li>• with clip holder for screwing or gluing</li> <li>• incl. battery</li> </ul>	12 g

# SEM

Mini recessed switch 24 V

# Door contact switch

Door contact switch 24 V

# Wireless door contact switch

Blind hole switch 24V + 230V without cable / without battery



**Connection:** LED transformer DC 24 V  
**Other:** • output: max. 60 W

**Connection:** LED transformer DC 24 V  
**Other:** • output: max. 24 W  
 • for 16 mm panel thickness

**Connection:** LED transformer DC 24 V or 230V  
**Other:** • output: max. 120 W / 300W  
 • without battery  
 • up to 12 switches can be programmed to one controller  
 • wireless **O**val / wireless cup hole (**T**)

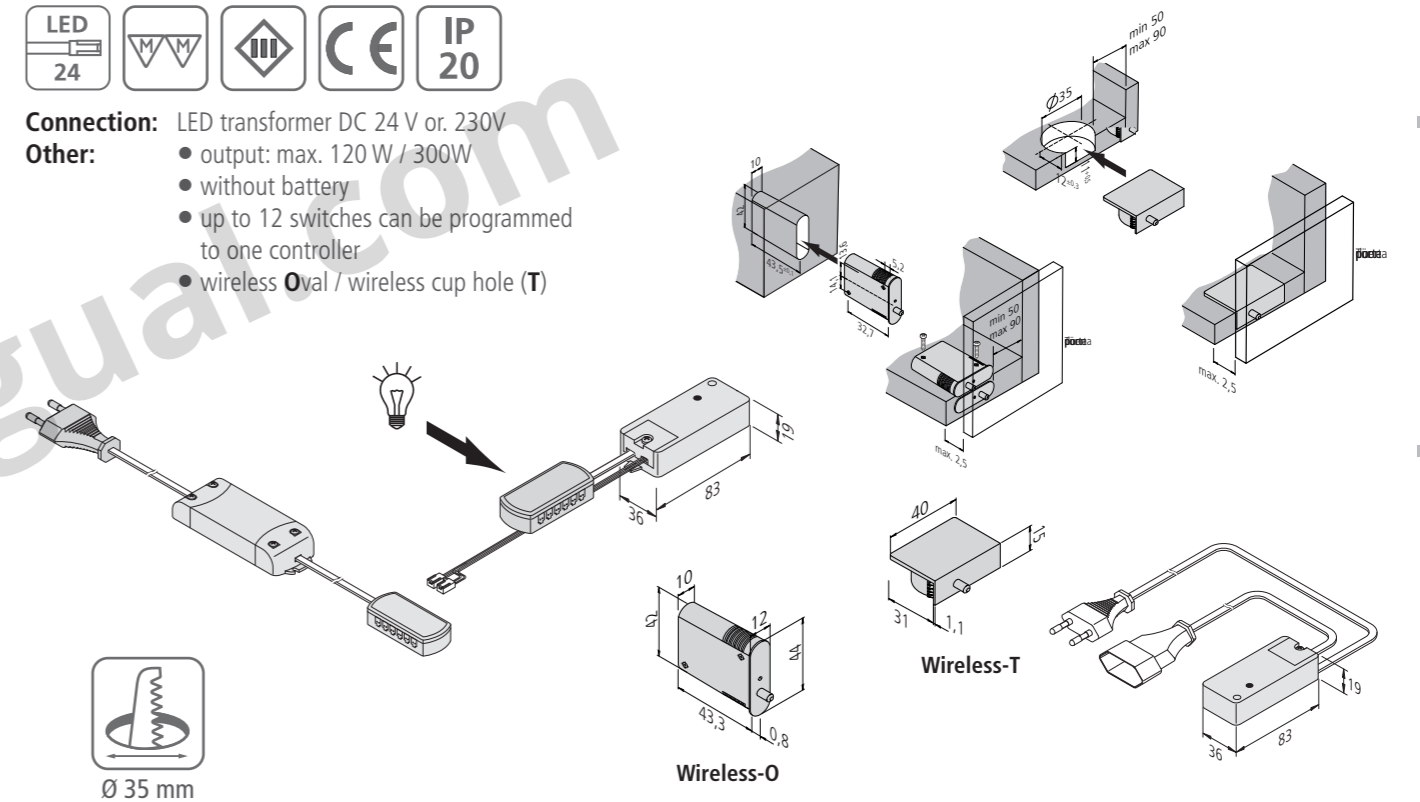
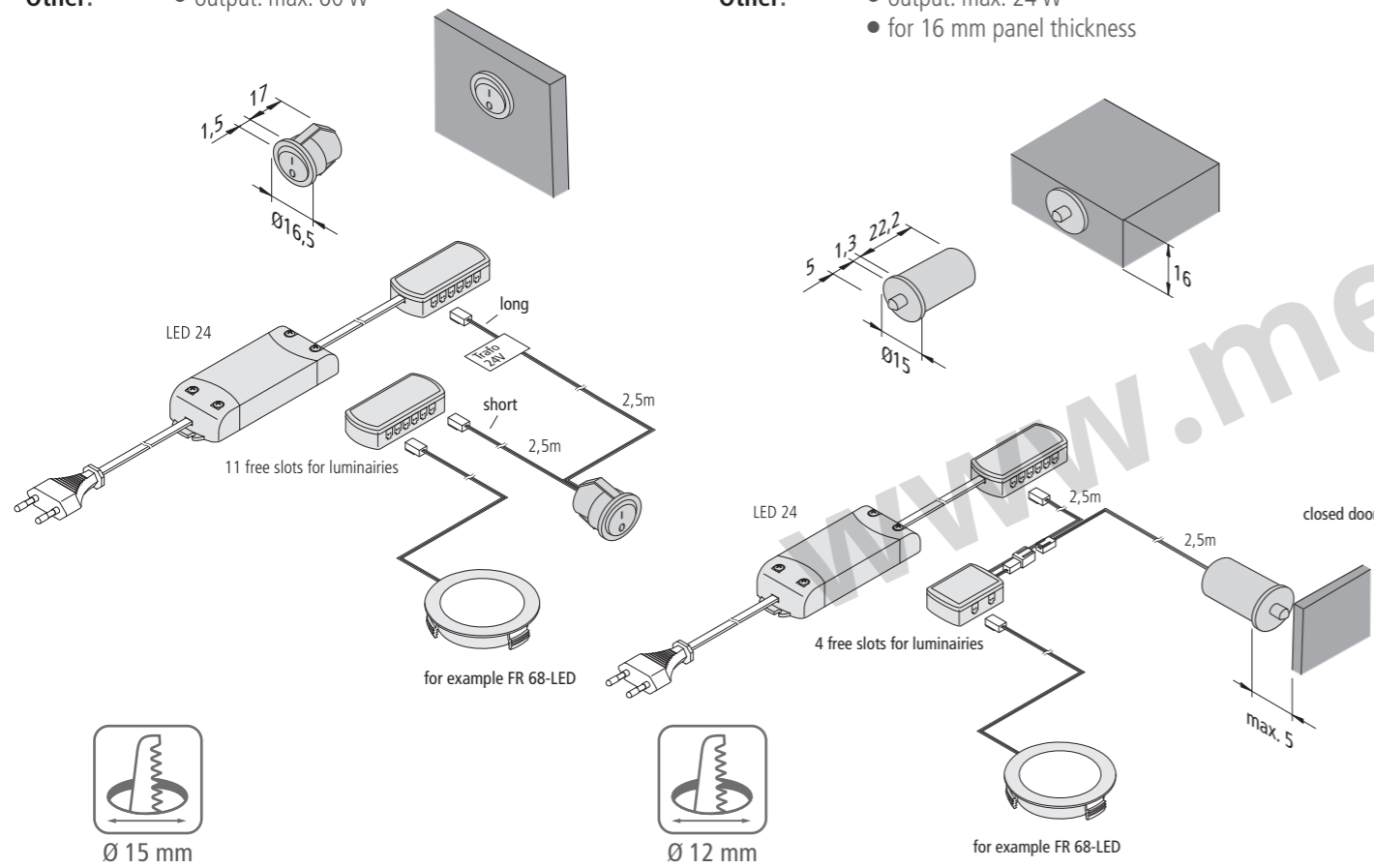


Illustration	Article No.	Description	Features	Weight approx.
	615 000 517 01	Recessed switch SEM round black	<ul style="list-style-type: none"> <li>printed with 0+I</li> <li>supply cable 2,5m with LED 24 plug</li> <li>switching cable 2,5m with 11-way distributor LED 24</li> </ul>	270 g
	615 000 501 11	Door contact switch SET black	<ul style="list-style-type: none"> <li>supply cable 2,5m with LED 24 plug</li> <li>switch cable 2,5m with 4-way distributor LED 24</li> <li>max. 24W</li> </ul>	60 g

Illustration	Article No.	Description	Features	Weight approx.
	217 031 902 01	Door contact switch Wireless-O	<ul style="list-style-type: none"> <li>Wireless-Oval (O)/ Wireless cup hole (T)</li> <li>grey RAL 7016</li> </ul>	16 g
	217 031 903 01	Door contact switch Wireless-T		14 g
	208 050 030 33	24 V Controller Wireless door contact switch 120W	<ul style="list-style-type: none"> <li>0,2m LED 24 plug</li> <li>0,2m with 12-way distributor</li> </ul>	60 g
	208 050 030 35	230V Controller Wireless door contact switch 300W <b>NEW</b>	<ul style="list-style-type: none"> <li>2m Euro plug</li> <li>0,2m with Euro coupling</li> </ul>	170 g

# IR-Switch / Dimmer 24V

Motion-activated switch / dimmer for 24 V LED



**Connection:** LED transformer DC 24 V

- Other:**
- motion operates switch or motion of door operates switch
  - function 1 (as supplied): the first time the switch senses motion it turns on the light, and the second time it turns it off again
  - function 2 (short keystroke, see drawing): opening the door automatically switches the light on – and closing the door switches it off again (combination of several IR switches possible, e.g. for a wide sliding door)
  - the brightness which is adjusted in function 1 will be retained after changing into function 2
  - the connected LED luminaire is dimmable if the human hand or an object remains inside the detection range of the IR sensor (only in function 1).
  - suitable for switching LED luminaires 24 V
  - for 14,5 mm drill hole or to stick on with enclosed adhesive pad
  - distance between the closed door and IR sensor should be up to 50 mm (depending on surface)
  - a keystroke of approx. 6 sec. deactivates or activates the dim and memory function

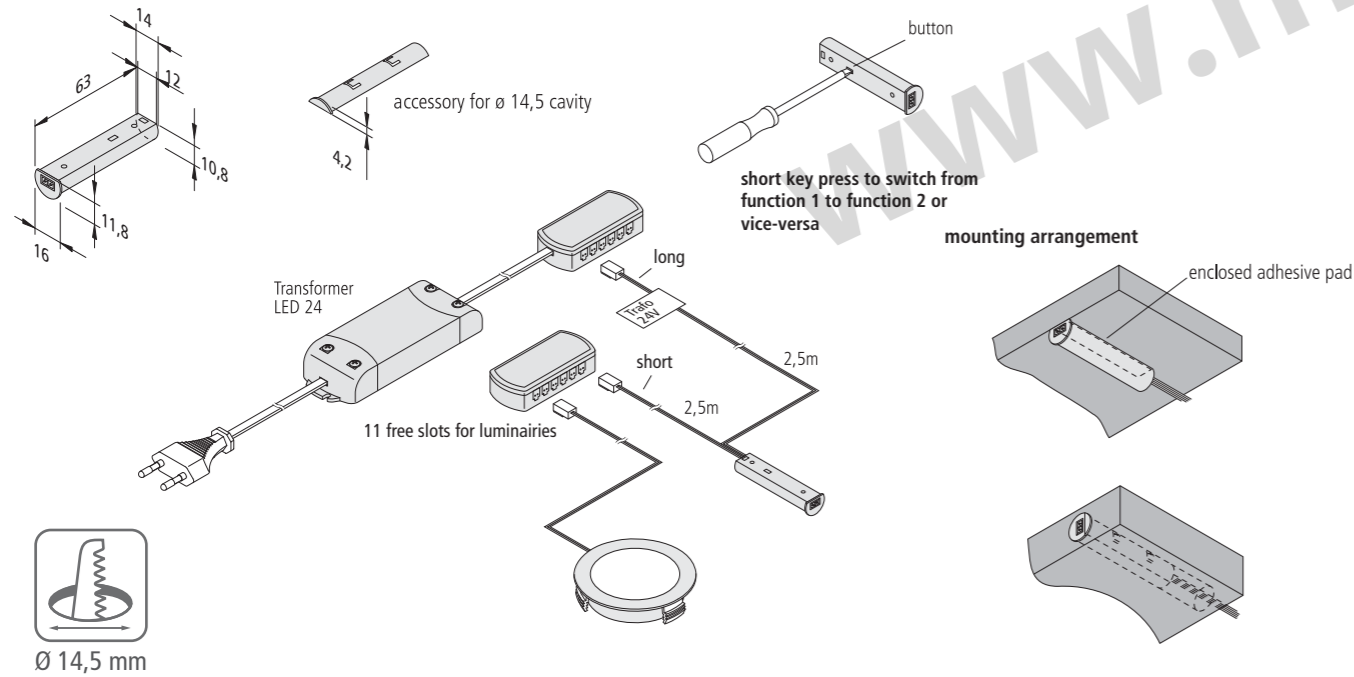
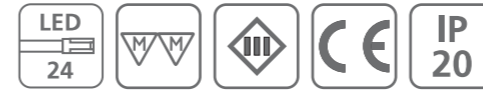


Illustration	Article No.	Description	Features	Weight approx.
	217 032 201 01	IR-Dimmer 24V max. 48W white	• supply cable 2,5m with LED 24 plug • sensor cable 2,5m with 11-way distributor LED 24	75 g
	217 032 201 03	IR-Dimmer 24V max. 48W black		75 g

**NEW**

# IR-Switch / Dimmer 10mm

Motion-activated switch / dimmer for 10 mm hole



**Connection:** LED transformer DC 24 V

- Other:**
- motion operates switch or motion of door operates switch
  - function 1 (as supplied): the first time the switch senses motion it turns on the light, and the second time it turns it off again
  - function 2 (short keystroke, see drawing): opening the door automatically switches the light on – and closing the door switches it off again (with 2 sensors, the light switches on as soon as a door is opened)
  - the brightness which is adjusted in function 1 will be retained after changing into function 2
  - the connected LED luminaire is dimmable if the human hand or an object remains inside the detection range of the IR sensor (only in function 1).
  - suitable for switching LED luminaires 24 V
  - for 10 mm drill holes
  - distance between the closed door and IR sensor should be up to 50 mm (depending on surface)
  - with memory function (after disconnection from the mains, the previous dimming state is restored)

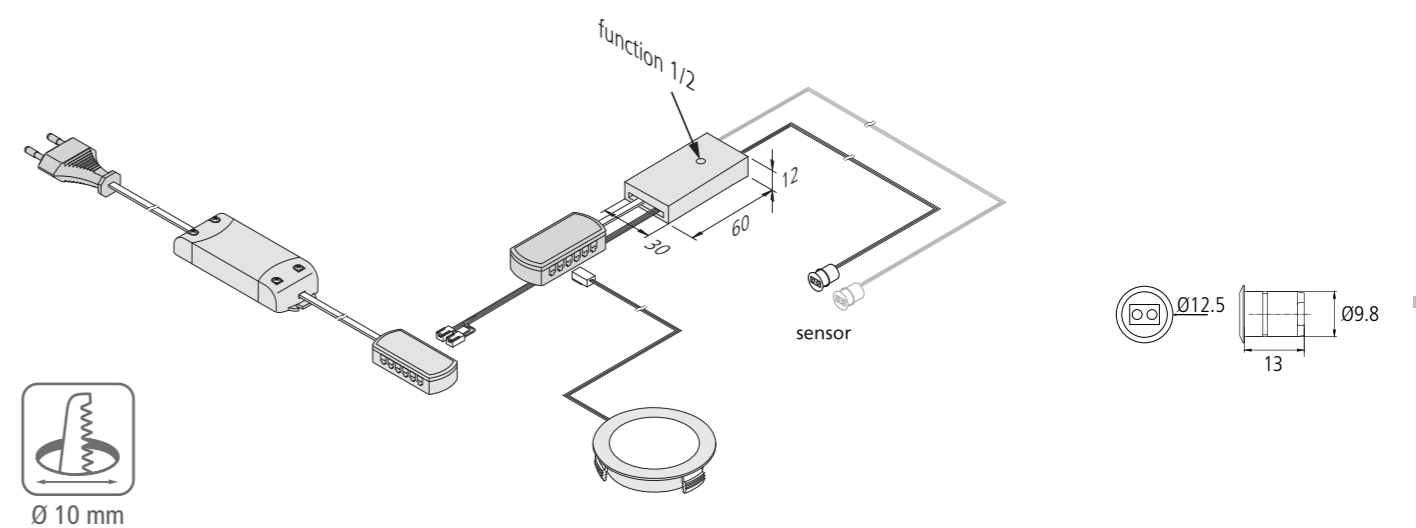


Illustration	Article No.	Description	Features	Weight approx.
	217 032 206 01	IR-Switch / Dimmer 10mm 72W with 1 x sensor	• supply cable 0,2m with LED 24 plug • sensor cable 0,2m with 12-way distributor LED 24 • sensor cable 2m	74 g
	217 032 207 01	IR-Switch / Dimmer 10mm 72W with 2 x sensor		97 g

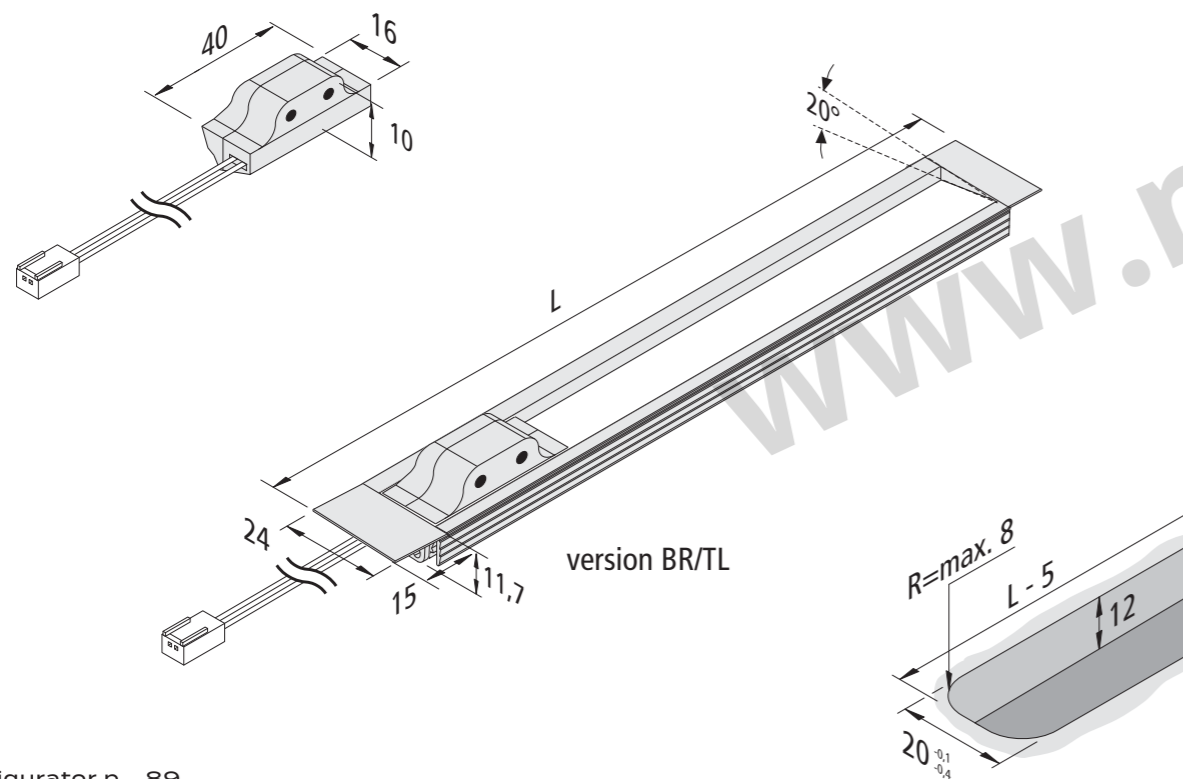
# IR Switch I24

Door Contact Switch for Milled Profile I24



**Connection:** 24 V DC

- Other:**
- output: max. 48 W
  - including „Soft Off“
  - distance between center of the luminaire and the inside of the door should be 10 to 15 cm (depending on the surface)
  - for selection in the configurator



Configurator p. 89

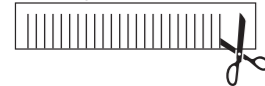


Illustration	Article No.	Description	Features	Weight approx.
	217 032 205 03	IR-Switch I24 BR/TL black	<ul style="list-style-type: none"> <li>• connecting cable 2,5m with LED 24 plug</li> <li>• version Bottom Right or Top Left</li> <li>• max. 48W</li> </ul>	30 g
	217 032 205 08	IR-Switch I24 BR/TL stainless steel	<ul style="list-style-type: none"> <li>• max. 48W</li> </ul>	30 g
	217 032 205 13	IR-Switch I24 BL/TR black	<ul style="list-style-type: none"> <li>• connecting cable 2,5m with LED 24 plug</li> <li>• version Bottom Left or Top Right</li> <li>• max. 48W</li> </ul>	30 g
	217 032 205 18	IR-Switch I24 BL/TR stainless steel	<ul style="list-style-type: none"> <li>• max. 48W</li> </ul>	30 g

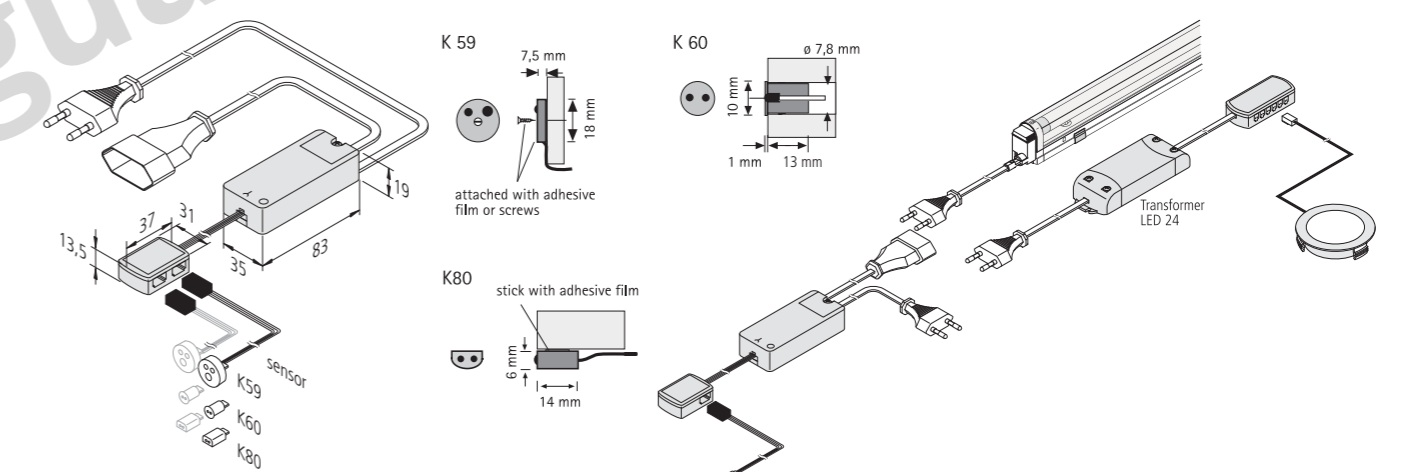
# IR-S / IR-DS

Motion-activated switch with different sensor heads



**Connection:** 220 – 240 V / 50 – 60 Hz

- Other:**
- motion operates switch or motion of door operates switch
  - IR-DS: opening the door switches the light on and closing the door switches it off again
  - IR-S: the first time the switch senses motion it turns the light on, and the second time it turns it off again
  - IR-S with memory function (after cut off from mains the last switching status is recovered)
  - suitable for switching LED transformers max. 250 W or SlimLite® lighting rows up to 3 luminaires
  - distance between sensor and the inside of the door should be 4 up to 50 mm (depending on the surface)



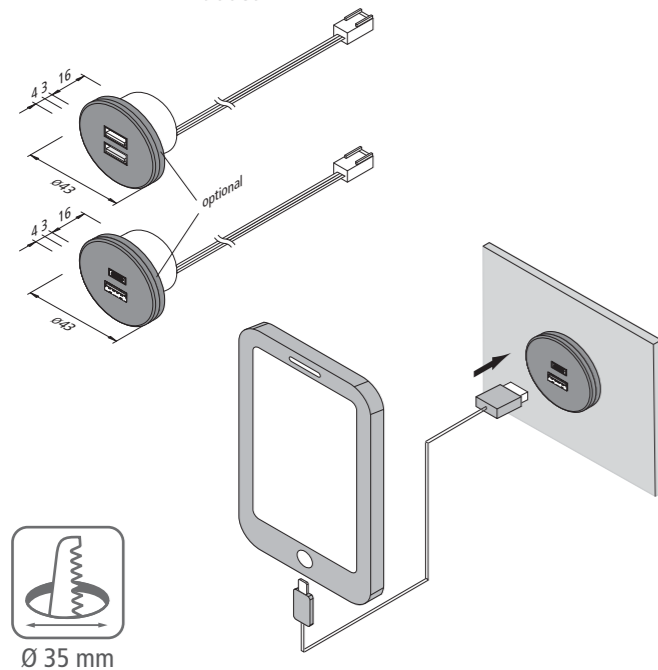
Article No.	Description	Features	Weight approx.
506 120 601 11	IR-S with sensor K 59 Euro	<ul style="list-style-type: none"> <li>• motion-activated switch operation</li> <li>• 2m Euro plug / 0,3m Euro coupling / sensor 3m</li> </ul>	187 g
506 120 602 11	IR-S with sensor K 60 Euro	<ul style="list-style-type: none"> <li>• 2m with ferrules / 0,3m with ferrules / sensor 3m</li> </ul>	187 g
506 120 603 11	IR-S with sensor K 80 Euro	<ul style="list-style-type: none"> <li>• 2m with ferrules / 0,3m with ferrules / sensor 3m</li> </ul>	187 g
506 120 601 12	IR-S with sensor K 59 AE	<ul style="list-style-type: none"> <li>• 2m with ferrules / 0,3m with ferrules / sensor 3m</li> </ul>	177 g
506 120 602 12	IR-S with sensor K 60 AE	<ul style="list-style-type: none"> <li>• 2m with ferrules / 0,3m with ferrules / sensor 3m</li> </ul>	177 g
506 120 603 12	IR-S with sensor K 80 AE	<ul style="list-style-type: none"> <li>• 2m with ferrules / 0,3m with ferrules / sensor 3m</li> </ul>	177 g
506 120 802 41	IR-DS with sensor K 59 Euro	<ul style="list-style-type: none"> <li>• motion-activated switch activated by opening the door</li> <li>• 3m Euro plug / 0,3m Euro coupling / sensor 3m</li> </ul>	187 g
506 120 801 11	IR-DS with sensor K 60 Euro	<ul style="list-style-type: none"> <li>• 3m Euro plug / 0,3m Euro coupling / sensor 3m</li> </ul>	187 g
506 120 803 21	IR-DS with sensor K 80 Euro	<ul style="list-style-type: none"> <li>• 3m Euro plug / 0,3m Euro coupling / sensor 3m</li> </ul>	187 g
506 120 901 11	IR-DS2 with 2 sensors K 59 Euro	<ul style="list-style-type: none"> <li>• motion-activated switch activated by opening the door</li> <li>• 3m Euro plug / 0,3m Euro coupling / sensor 3m</li> </ul>	210 g
506 120 902 21	IR-DS2 with 2 sensors K 60 Euro	<ul style="list-style-type: none"> <li>• 3m Euro plug / 0,3m Euro coupling / sensor 3m</li> </ul>	210 g
506 120 903 11	IR-DS2 with 2 sensors K 80 Euro	<ul style="list-style-type: none"> <li>• 3m Euro plug / 0,3m Euro coupling / sensor 3m</li> </ul>	210 g
506 120 801 12	IR-DS with sensor K 59 AE	<ul style="list-style-type: none"> <li>• motion-activated switch activated by opening the door</li> <li>• 3m with ferrules / 0,3m with ferrules / sensor 3m</li> </ul>	190 g
506 120 802 42	IR-DS with sensor K 60 AE	<ul style="list-style-type: none"> <li>• 3m with ferrules / 0,3m with ferrules / sensor 3m</li> </ul>	190 g
506 120 803 22	IR-DS with sensor K 80 AE	<ul style="list-style-type: none"> <li>• 3m with ferrules / 0,3m with ferrules / sensor 3m</li> </ul>	190 g

## USB Double Socket

Furniture USB socket for 24 V transformer



- Connection:** 24 V DC  
**Other:**
- USB-A double socket with 5 V DC max. 1 x 2,1 A resp. 2 x 1,05 A or USB-A + USB-C socket
  - the LED transformer must have a free wattage of 20 W (USB-A double socket: 15 W)
  - 3 mm adapter ring for 16 mm installation depth included!

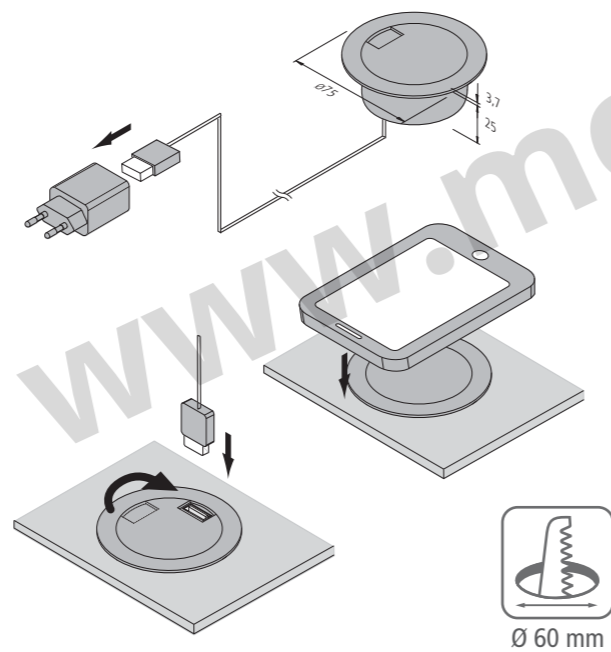


## Qi Fast-Charger

Wireless charging



- Connection:** 220 – 240 V / 50 – 60 Hz  
**Other:**
- for Qi certified Smartphone or tablet
  - additional USB socket with 5 V DC max. 2 A
  - incl. fast charging power adapter 9 V / 10 W

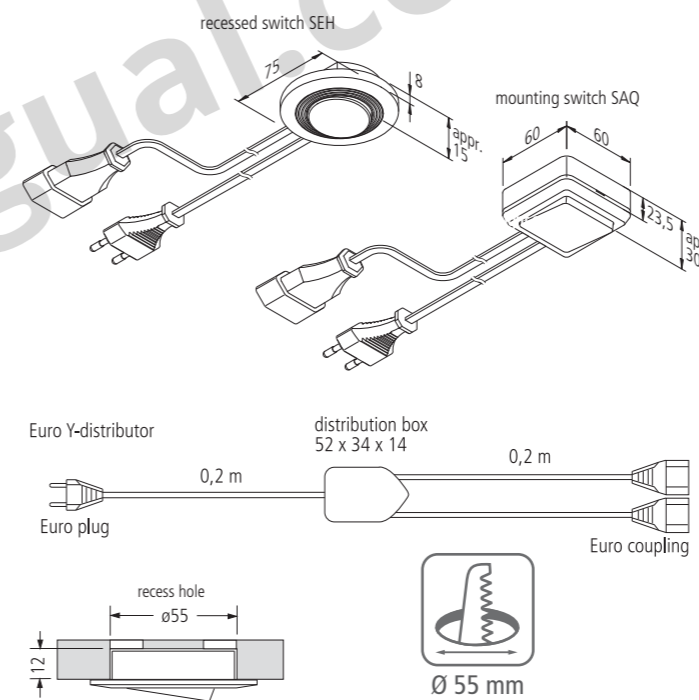


## SEH / SAQ

Rocker switch with Euro coupling



- Connection:** 220 – 240 V / 50 – 60 Hz  
**Other:**
- current carrying capacity max. 2,5 A
  - variants recessed or surface mounted switch



## LUXOR

Double socket for corner mounting



- Connection:** 220 - 240V / 50 - 60Hz  
**Other:**
- sophisticated design
  - can be mounted in any corner of the kitchen, bathroom, living room or bedroom
  - double outlet version

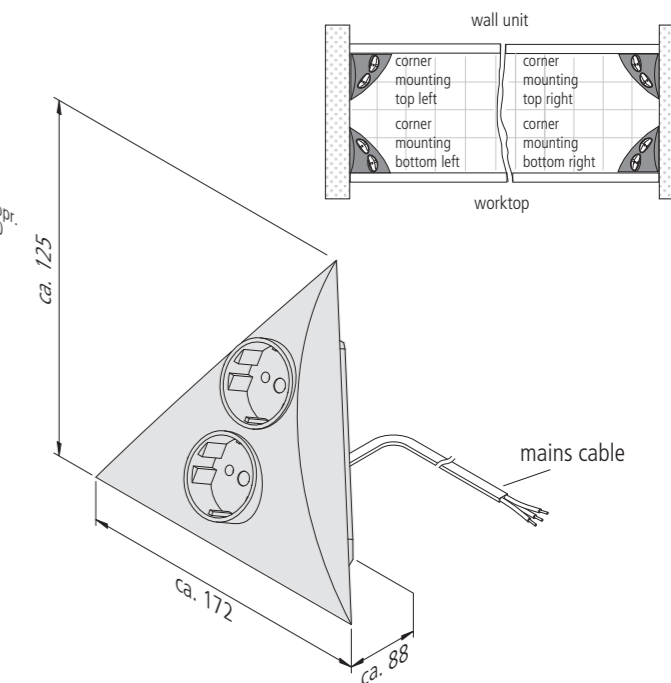





Illustration	Article No.	Description	Features	Weight approx.
	217 001 011 01	USB-A + USB-C socket 24V white 20W	<b>NEW</b> • supply cable 2,5m with LED 24 plug	50 g
	217 001 011 03	USB-A + USB-C socket 24V black 20W	<b>NEW</b> • Fast Charging with single occupancy	50 g
	217 001 011 08	USB-A + USB-C socket 24V stainless steel look 20W	<b>NEW</b>	50 g
	217 001 010 08	USB-A double socket 24V white 15W	• supply cable 2,5m with LED 24 plug	50 g
	217 001 010 01	USB-A double socket 24V stainless steel 15W		50 g
	217 001 010 03	USB-A double socket 24V black 15W		50 g
	615 000 520 03	Qi Fast-Charger 75mm black	• supply cable 1,2m with USB plug • incl. fast charging power supply unit	120 g
Accessories	LED transformers 24V from page 230			

Illustration	Article No.	Description	Features	Weight approx.
	515 000 601 02	Recessed switch SEH round	• 2m Euro plug / 2m Euro coupling • white	250 g
	217 031 810 05	Surface mounted switch SAQ square	• 2m Euro plug / 2m Euro coupling • white	260 g
	215 031 601 01	Euro Y distributor with one plug and 2 sockets	• 200mm cable + Euro plug / 2x 200mm +Euro coupling	100 g
	506 602 170 01	Luxor 2ST matt chrome	• 1,8m mains cable with ferrules	390 g
	506 602 110 03	Luxor 2ST stainless steel look		390 g



### Safety class symbols

-  Safety class I Protective earthing, protective conductor on the housing of the equipment
-  Safety class II Protective insulation
-  Safety class III Protective low voltage, < 50 V, for luminaires and transformers for luminaires

### Type of protection

The marking of the protection class consists of the letters IP followed by two digits. The first digit stands for: protection of persons against contact or proximity to active parts as well as against contact with moving parts inside the casing and protection of the device against ingress by foreign bodies. The second digit stands for: Protection of the equipment within the casing against harmful ingress of water.

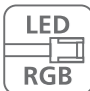


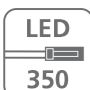





#### 1st digit

- 0 no special protection
- 1 protected against solid objects larger than 50 mm (back of the hand)
- 2 protected against solid objects larger than 12 mm (finger)
- 3 protected against solid objects larger than 2.5 mm (tools)
- 4 protected against solid objects larger than 1 mm (wire)
- 5 dust-protected
- 6 dust-tight


#### 2nd digit

- 0 no special protection
- 1 protected against drips (vertical)
- 2 protected against drips (less than 15°)
- 3 protected against spraying (less than 60°)
- 4 protected against splashes (from any direction)
- 5 protected against jetting
- 6 protected against strong jetting
- 7 protected against the consequences of immersion (30 minutes at a depth of up to 1 m)
- 8 protected against submersion (longer/deeper than 7 as agreed between manufacturer and user)

### Pictograms for luminaire types and applications

-  Plug-in system for RGB-LED luminaires 24 V DC
-  2-pole plug-in system for 230 V luminaires
-  Plug-in system for Dynamic LED luminaires 24 V DC
-  beam angle
-  Plug-in system for Power-LED luminaires with 350 mA
-  recommended spacing among each other in kitchens
-  Plug-in system for LED luminaires 24 V DC
-  light distribution curve
-  Plug-in system for 1-10 V dim control cables
-  drill diameter required for installation

### Pictograms for installation

-  MM - This symbol applies to luminaires with discharge lamps and luminaires for incandescent lamps for installation in and on furnishings (furniture). It indicates that these luminaires may be attached in the specified manner to furnishings made of non-flammable, flame-retardant or normal flammable building materials according to DIN 4102, even if they are coated, varnished or veneered, but also to materials with an unknown fire response.

# INDEX BY ARTICLE NUMBER

Article No	Product	Page	Article No	Product	Page	Article No	Product	Page	Article No	Product	Page	Article No	Product	Page	Article No	Product	Page	Article No	Product	Page	Article No	Product	Page
202 010 166 02	Milled frame S	173	202 024 804 02	LED Basic-Tape	69	202 027 201 01	LED Wall F 1,8	139	202 029 631 04	LED Eco-Tape 5	73	202 031 950 08	Dynamic FAQ 68	151	203 012 811 10	LED Cover Prof	80	218 000 102 07	LED Track 600m	29	610 012 921 01	SlimLite CS LE	133
202 010 166 12	Mounting frame	173	202 024 804 03	LED Basic-Tape	69	202 027 201 03	LED Wall F 1,8	139	202 029 801 02	LED EcoLite F	129	202 032 001 03	LED Tape L 10°	61	203 012 811 54	LED Cover Prof	80	218 000 103 03	LED Track 1000	29	610 012 921 02	SlimLite CS LE	133
202 021 001 03	FM 1-LED 5x1,0	29	202 024 805 02	LED Basic-Tape	69	202 027 201 08	LED Wall F 1,8	139	202 029 801 03	LED EcoLite F	129	202 032 101 02	LED Tape COB-4	57	203 013 710 01	LED Cover Prof	83	218 000 103 07	LED Track 1000	29	610 012 921 04	SlimLite CS LE	133
202 021 011 03	FM 2-LED 5x1,5	29	202 024 805 03	LED Basic-Tape	69	202 027 202 01	LED Wall F 0,9	139	202 029 802 02	LED EcoLite F	129	202 032 101 03	LED Tape COB-4	57	203 013 710 02	LED Cover Prof	83	218 000 201 03	LED Track Feed	29	610 012 922 01	SlimLite CS LE	133
202 021 222 01	LED Stick 2 20	95	202 025 302 01	AR 35-LED 2,5W	143	202 027 202 08	LED Wall F 0,9	139	202 029 802 03	LED EcoLite F	129	202 032 101 04	LED Tape COB-4	57	205 010 211 06	Mounting ring	155	218 000 201 07	LED Track Feed	29	610 012 922 02	SlimLite CS LE	133
202 021 222 02	LED Stick 2 20	95	202 025 303 01	AR 35-LED 2,5W	143	202 027 211 01	LED Wall Up &	139	202 029 803 02	LED EcoLite F	129	202 032 330 02	AR 68-LED 4W w	153	205 010 211 08	Mounting ring	155	218 000 201 23	Track feeder e	23	610 012 922 04	SlimLite CS LE	133
202 021 222 04	LED Stick 2 20	95	202 025 603 01	LED Track Poin	193	202 027 211 08	LED Wall Up &	139	202 029 803 03	LED EcoLite F	129	202 032 330 03	AR 68-LED 4W n	153	206 040 012 22	Transformer LE	231	218 000 201 27	Track feeder e	23	610 012 923 01	SlimLite CS LE	133
202 021 222 05	LED Stick 2 20	95	202 025 603 02	LED Track Poin	193	202 027 221 01	LED Wall Down	139	202 029 804 02	LED EcoLite F	129	202 032 330 04	AR 68-LED 4W x	153	206 040 019 31	Transformer LE	231	218 000 301 03	LED Track Conn	29	610 012 923 02	SlimLite CS LE	133
202 021 223 01	LED Stick 2 30	95	202 025 603 03	LED Track Poin	193	202 027 221 08	LED Wall Down	139	202 029 804 03	LED EcoLite F	129	202 032 380 02	AR 68-LED 4W w	153	206 040 026 05	Transformer LE	231	218 000 301 07	LED Track Conn	29	610 012 923 04	SlimLite CS LE	133
202 021 223 02	LED Stick 2 30	95	202 025 607 01	LED Track Poin	193	202 027 301 08	Dynamic LED Sk	215	202 029 805 02	LED EcoLite F	129	202 032 380 03	AR 68-LED 4W n	153	206 040 038 01	Transformer LE	231	218 000 401 03	LED Track Corn	29	610 012 931 02	SlimLite CS LE	133
202 021 223 04	LED Stick 2 30	95	202 025 607 02	LED Track Poin	193	202 027 301 08	Dynamic LED Sk	215	202 029 805 03	LED EcoLite F	129	202 032 380 04	AR 68-LED 4W x	153	208 050 050 21	Control Panel	173	218 000 401 07	LED Track Corn	29	610 012 931 03	SlimLite CS LE	133
202 021 223 05	LED Stick 2 30	95	202 025 607 03	LED Track Poin	193	202 027 302 03	Dynamic LED Sk	215	202 029 805 03	LED EcoLite F	129	202 032 601 02	LED EcoLite F	129	213 010 102 22	PS Mini adapte	19	218 000 501 03	LED Track End	29	610 012 932 02	SlimLite CS LE	133
202 021 223 22	LED Stick 2 30	95	202 025 701 02	SR 45-LED 4,8W	145	202 027 401 02	LED Tape F 5m	63	202 029 901 02	LED Zoom 1,0W	191	202 032 601 03	LED EcoLite F	129	213 010 102 53	Intero-Line 1	91	218 000 501 07	LED Track End	29	610 012 932 03	SlimLite CS LE	133
202 021 223 25	LED Stick 2 30	95	202 025 701 03	SR 45-LED 4,8W	145	202 027 401 03	LED Tape F 5m	63	202 029 901 03	LED Zoom 1,0W	191	202 032 602 02	LED EcoLite F	129	213 010 102 58	Intero-Line 1	91	218 000 601 00	LED Track Glas	193	610 012 932 02	SlimLite CS LE	133
202 021 232 01	LED Twin-Stick	99	202 025 708 02	SR 45-LED 4,8W	145	202 027 401 04	LED Tape F 5m	63	202 029 903 02	LED Zoom 1,0W	191	202 032 602 03	LED EcoLite F	129	213 041 080 08	Front cover LE	80	218 000 701 13	LED Track Moun	193	610 012 933 03	SlimLite CS LE	133
202 021 232 02	LED Twin-Stick	99	202 025 708 03	SR 45-LED 4,8W	145	202 027 501 01	Dynamic SR 68-	161	202 029 903 03	LED Zoom 1,0W	191	202 032 603 02	LED EcoLite F	129	213 041 180 02	PS Mini end ca	19	218 000 701 17	LED Track Moun	193	610 012 941 05	SlimLite CS LE	131
202 021 232 05	LED Twin-Stick	99	202 025 800 02	LED ModuLite F	207	202 027 501 06	Dynamic SR 68-	161	202 030 030 01	LED Glass Clip	199	202 032 603 03	LED EcoLite F	129	213 041 190 01	Flat-Track end	21	218 000 801 03	Track adapter	23	610 012 942 05	SlimLite CS LE	131
202 021 233 01	LED Twin-Stick	99	202 025 800 03	LED ModuLite F	207	202 027 501 08	Dynamic SR 68-	161	202 030 030 02	LED Glass Clip	199	202 032 604 02	LED EcoLite F	129	213 041 190 02	Flat-Track end	21	218 000 801 07	Track adapter	23	610 012 943 05	SlimLite CS LE	131
202 021 233 02	LED Twin-Stick	99	202 025 801 02	LED ModuLite F	207	202 027 801 02	LED Mono Spot	179	202 030 080 01	LED Glass Clip	199	202 032 604 03	LED EcoLite F	129	213 041 190 03	Flat-Track end	21	218 020 400 06	LED L-Pad 7,5W	223	610 013 202 07	LED L-Pad 7,5W	223
202 021 233 05	LED Twin-Stick	99	202 025 801 03	LED ModuLite F	207	202 027 801 03	LED Mono Spot	179	202 030 080 02	LED Glass Clip	199	202 032 605 02	LED EcoLite F	129	213 041 190 02	Flat-Track end	21	218 020 400 26	Slotted rail P	19	610 013 202 07	LED L-Pad 7,5W	223
202 023 901 02	LED Power-Stic	101	202 025 801 12	LED ModuLite F	207	202 027 803 02	LED Mono Spot	179	202 030 102 01	Dim-2-Warm SR	159	202 032 605 03	LED EcoLite F	129	213 041 190 03	Flat-Track end	21	218 020 401 16	Slotted rail P	19	610 013 202 08	LED L-Pad 7,5W	223
202 023 901 03	LED Power-Stic	101	202 025 801 13	LED ModuLite F	207	202 027 803 03	LED Mono Spot	179	202 030 102 02	Dim-2-Warm SR	159	202 032 910 01	Dynamic Tape C	45	213 041 190 02	Flat-Track end	21	218 020 401 26	Slotted rail P	19	610 014 101 01	LED IN-Stick H	121
202 023 901 04	LED Power-Stic	101	202 025 801 32	LED ModuLite F	207	202 027 821 02	LED Duo Spot 2	179	202 030 102 03	Dim-2-Warm SR	159	202 032 910 02	Dynamic Tape C	45	213 041 190 03	Flat-Track end	21	218 030 103 01	Flat-Track 150	21	610 014 101 02	LED IN-Stick H	121
202 023 902 02	LED Power-Stic	101	202 025 801 33	LED ModuLite F	207	202 027 821 03	LED Duo Spot 2	179	202 030 202 01	LED Wardrobe T	107	202 033 001 00	LED RGB Tape F	43	213 041 250 11	Front cover LE	83	218 030 103 02	Flat-Track 150	21	610 014 102 01	LED IN-Stick H	121
202 023 902 03	LED Power-Stic	101	202 025 802 02	LED ModuLite F	207	202 027 823 02	LED Duo Spot 2	179	202 030 202 01	LED Wardrobe T	107	202 033 103 03	U-Pad F 6W nw	211	215 120 507 01	Adaptor cable	135	218 030 103 03	Flat-Track 150	21	610 014 102 02	LED IN-Stick H	121
202 023 902 04	LED Power-Stic	101	202 025 802 03	LED ModuLite F	207	202 027 901 02	LED Mono Spot	179	202 030 203 01	LED Wardrobe T	107	202 033 103 12	U-Pad F 6W ww	211	215 120 507 02	Adaptor cable	135	218 030 104 01	Flat-Track 260	21	610 014 102 03	LED IN-Stick H	121
202 023 902 13	LED Power-Stic	101	202 025 802 12	LED ModuLite F	207	202 027 901 03	LED Mono Spot	179	202 030 211 01	Wardrobe Tube	107	202 033 103 13	U-Pad F 6W ww	211	215 260 000 01	CSK connecting	135	218 030 104 02	Flat-Track 260	21	610 014 103 02	LED IN-Stick H	121
202 023 902 14	LED Power-Stic	101	202 025 802 13	LED ModuLite F	207	202 027 903 02	LED Mono Spot	179	202 030 212 01	Wardrobe Tube	107	202 033 123 02	Set of 2 U-Pad	211	215 260 000 02	CSK connecting	135	218 030 104 03	Flat-Track 260	21	610 014 104 01	LED IN-Stick H	121
202 024 002 01	SR 68-LED 4,8W	163	202 025 802 32	LED ModuLite F	207	202 027 903 03	LED Mono Spot	179	202 030 501 02	Tape FN-4 5m 7	65	202 033 123 03	Set of 2 U-Pad	211	215 260 218 01	CS 42/1800 mai	135	218 030 201 01	Flat-Track fee	21	610 014 104 02	LED IN-Stick H	121
202 024 003 01	SR 68-LED 4,8W	163	202 025 802 33	LED ModuLite F	207	202 027 921 02	LED Duo Spot 2	179	202 030 501 03	Tape FN-4 5m 7	65	202 033 133 02	Set of 3 U-Pad	211	215 260 230 01	CS 42/3000 mai	135	218 030 201 02	Flat-Track fee	21	610 014 121 01	LED IN-Stick H	121
202 024 008 01	SR 68-LED 4,8W	163	202 025 803 02	LED ModuLite F	207	202 027 921 03	LED Duo Spot 2	179	202 030 610 01	Sky Window 120	173	202 033 133 03	Set of 3 U-Pad	211	215 260 318 01	CS 43/1800 mai	135	218 030 201 03	Flat-Track fee	21	610 014 121 02	LED IN-Stick H	121
202 024 010 01	SR 68-LED 4,8W	163	202 025 803 03	LED ModuLite F	207	202 027 923 02	LED Duo Spot 2	179	202 030 610 02	Sky Window 600	173	202 033 153 02	Set of 5 U-Pad	211	215 260 318 04	CS 43/1800 mai	135	218 030 401 01	Flat-Track mag	21	610 014 122 01	LED IN-Stick H	121
202 024 012 01	SR 68-LED 4,8W	163	202 025 803 12	LED ModuLite F	207	202 027 923 03	LED Duo Spot 2	179	202 030 701 01	FR 65/205-LED	169	202 033 153 03	Set of 5 U-Pad	211	215 260 330 01	CS 43/3000 mai	135	218 030 401 02	Flat-Track mag	21	610 014 122 02	LED IN-Stick H	121
202 024 013 01	SR 68-LED 4,8W	163	202 025 803 13	LED ModuLite F	207	202 028 002 02	LED Basic Side	77	202 030 701 02	FR 65/205-LED	169	202 033 510 02	Eco SR 68-LED	165	215 260 405 01	CS 44/ 500 mai	135	218 030 401 03	Flat-Track mag	21	610 014 123 01	LED IN-Stick H	121
202 024 014 01	SR 68-LED 4,8W	163	202 025 803 32	LED ModuLite F	207	202 028 002 03	LED Basic Side	77	202 030 701 03	FR 65/205-LED	169	202 033 510 03	Eco SR 68-LED	165	215 260 418 01	CS 44/1800 mai	135	218 041 101 03	SPS Mini power	25	610 014 123 02	LED IN-Stick H	121
202 024 015 01	SR 68-LED 4,8W	163	202 025 803 33	LED ModuLite F	207	202 028 130 02	LED Track Spot	195	202 030 706 01	FR 65/205-LED	169	202 033 510 04	Eco SR 68-LED	165	215 260 601 01	CS 46/ 150 con	135	218 041 102 03	SPS Mini power	25	610 014 124 01	LED IN-Stick H	121
202 024 016 01	SR 68-LED 4,8W	163	202 025 804 02	LED ModuLite F	207	202 028 130 03	LED Track Spot	195	202 030 706 02	FR 65/205-LED	169	202 033 560 02	Eco SR 68-LED	165	215 260 601 02	CS 46/ 300 con	135	218 041 103 03	SPS Mini power	25	610 014 124 02		



